

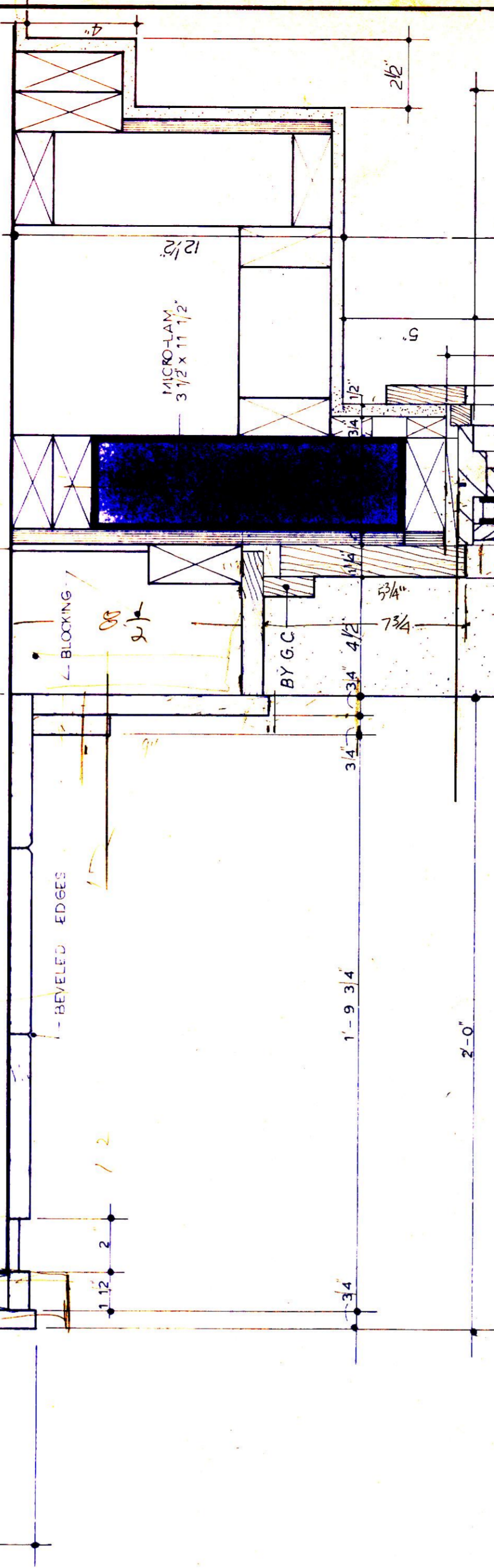
ROOF TRUSSES
16" O.C.

5/8" PLYWOOD

12'
7'

11' 6"
11' 0"
17' 6"

11' 0"
17' 6"



REVELED EDGES

BLOCKING

BY G.C.

3/4"

3/4"

1/4"

1/4"

1/4"

1/4"

1/4"

1/4"

1/4"

1/4"

1/4"

1/4"

1/4"

1/4"

1/4"

1/4"

1/4"

1/4"

1/4"

1/4"

1/4"

1/4"

1/4"

1/4"

1/4"

1/4"

1/4"

1/4"

1/4"

1/4"

1/4"

1/4"

1/4"

1/4"

1/4"

1/4"

1/4"

1/4"

1/4"

1/4"

1/4"

1/4"

1/4"

1/4"

1/4"

1/4"

1/4"

1/4"

1/4"

1/4"

1/4"

1/4"

1/4"

1/4"

1/4"

1/4"

1/4"

1/4"

1/4"

1/4"

1/4"

1/4"

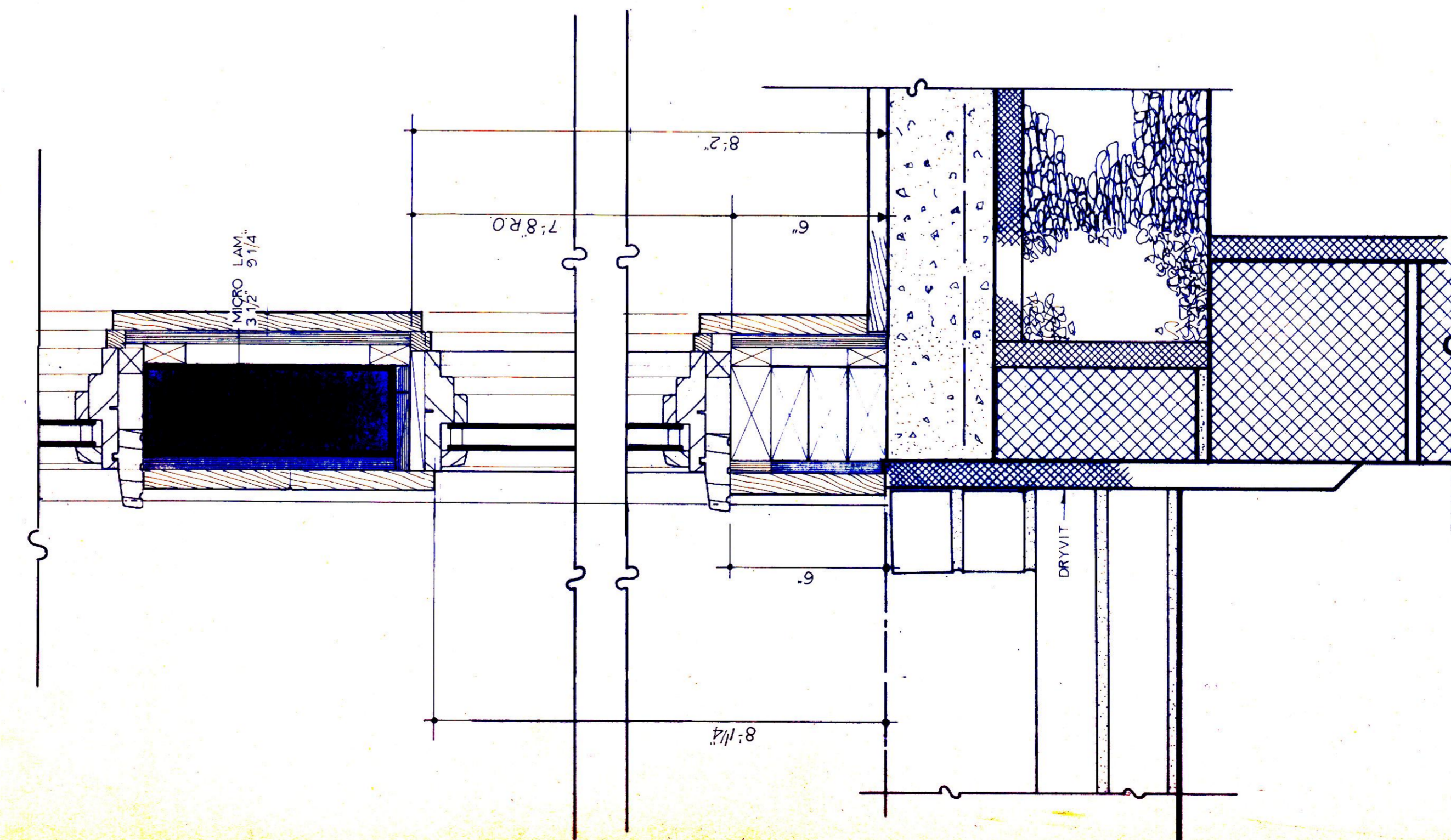
1/4"

1/4"

1/4"

1/4"

1/4"



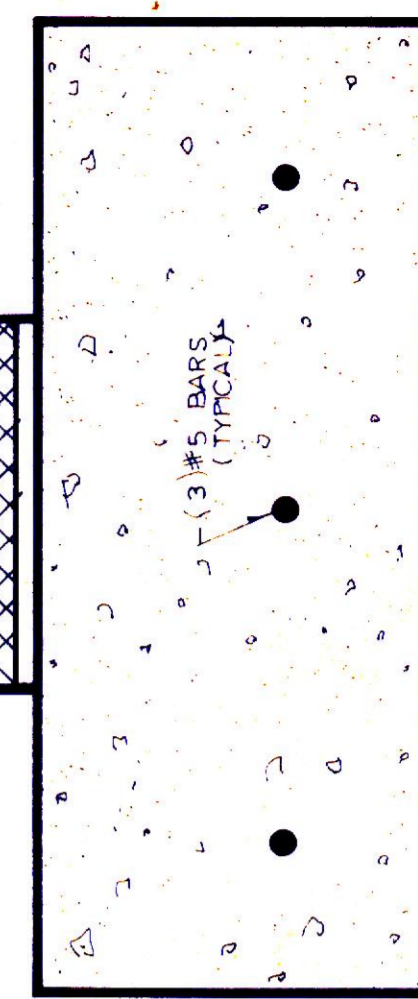
ALL EXPOSED WOOD
CLEAR WHITE PINE-STAIN
SUPPLIED BY MARVIN
INSTALLED BY G.C.

MARVIN
WOOD SCREEN & STORM DOOR

VERIFY BEFORE
INSTALLING
TRIM

ALTERNATE
TERRACE
NO. 2

SECTION AT LINE J



3 #5 BARS
(TYPICAL)

SECTION AT LINE I

REVISED PRINT
DESTROY ALL COPIES OF PREVIOUS ISSUES

REVISED 3-27-95 OFFICE of JOHN N. PORTS
848 Colonial Avenue
YORK, PENNSYLVANIA 17403
(717) 848-2774

NEW RESIDENCE FOR
MR. & MRS. KEITH SHAFFER
LOT 23, HERITAGE HILLS, YORK, PA.

SCALE: 3/4" = 1'-0" APPROVED BY DRAWN BY
DATE: 3-16-95 JNF, BDP

SECTIONS

DRAWING NUMBER
A-10