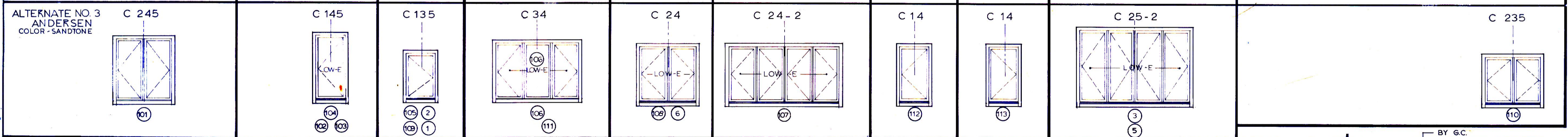


R O O M F I N I S H S C H E D U L E

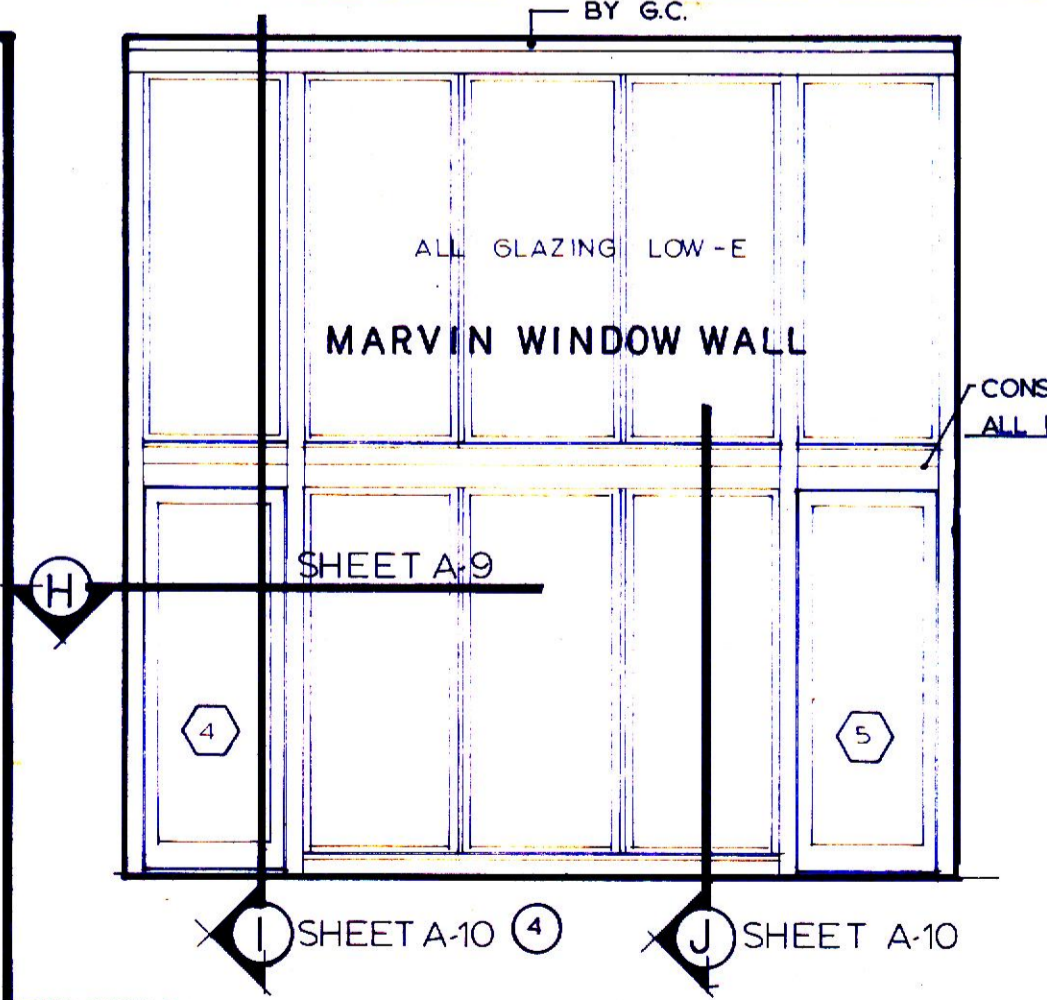
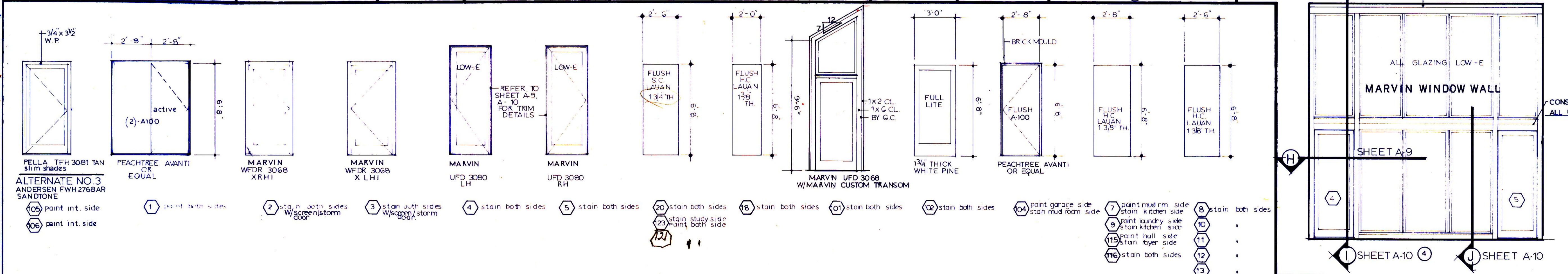
| FLOOR LEVEL | ROOM | FLOORS | | WALLS | | CEILING | | TRIM | | TRIM FINISH | | | REMARKS |
|--------------------|------------------|------------------|--------------|---------------------------|---------------------------|----------------|--------|---------------------|---------------------|-------------|------------|-----------------------|--|
| | | SUB FLOOR | FINISH FLOOR | TYPE | FINISH | TYPE | FINISH | BASE | CASING | STAINED | PAINTED | CEILING HEIGHT | |
| | | | | | | | | | | | | | |
| LOWER LEVEL | STORAGE | 4" CONC W/SEALER | NONE | EXP. BLOCK/VENEER PLASTER | PAINT | VENEER PLASTER | PAINT | TYPE A PLASTER WALL | TYPE A PLASTER WALL | | ● | 8'-9" | SEE ELEVATION A-A |
| | MUD ROOM | " | <i>Tiled</i> | VENEER PLASTER | " | " | " | TYPE A | TYPE A | | ● | 8'-9" | SEE ELEVATIONS (1) (2) (3) / SEE SECTION B-B & F |
| | PANTRY | " | " | " | " | " | " | " | " | | ● | DROP TO 8'-0" | SEE SECTIONS B-B & E-E |
| | LAUNDRY | " | " | " | " | " | " | " | " | | ● | DROP TO 8'-0" | SEE SECTION B-B |
| | KITCHEN | " | " | " | " | " | " | TYPE B | TYPE B | | ● | 8'-9" | SEE SECTIONS C-C & E-E |
| | EATING AREA | " | " | " | " | " | " | " | " | | ● | 8'-9" | SEE SECTION B-B |
| | POWDER ROOM | " | WOOD | " | " | " | " | " | " | | ● | DROP TO 8'-0" | |
| | PASSAGE | " | " | " | " | " | " | " | " | | ● | DROP TO 8'-0" | |
| | GREAT ROOM | " | " | " | " | " | " | " | " | | ● | 17'-9 1/2" | SEE SECTIONS C-C & E-E |
| | MECH. ROOM | " | VINYL ? | " | EXP. BLOCK/VENEER PLASTER | " | " | TYPE A PLASTER WALL | TYPE A | | ● | 8'-9" | |
| | HALL | " | WOOD | " | " | " | " | TYPE B | TYPE B | | ● | DROP TO 7'-6" | |
| | CLOS-HIS | " | CARPET | " | " | " | " | TYPE A | TYPE A | | ● | DROP TO 8'-0" | SEE ELEVATION (13) (14) (15) |
| | ENTRY | " | CARPET | " | " | " | " | TYPE B | TYPE B | | ● | DROP TO 8'-0" | SEE SECTION E-E |
| | CLOS-HERS | " | CARPET | " | " | " | " | TYPE A | TYPE A | | ● | DROP TO 8'-0" | SEE ELEVATIONS (4) (5) (6) (7) |
| | MASTER BATH | " | CERAMIC TILE | " | " | " | " | TYPE B | TYPE B | | ● | 8'-9" | SEE SECTION F-F |
| MASTER BEDROOM | " | CARPET | " | " | " | " | TYPE B | TYPE B | | ● | | | |
| MAIN LEVEL | CLOSET | 3/4" T&G FLYWOOD | WOOD Carpet | VENEER PLASTER | PAINT | VENEER PLASTER | PAINT | TYPE A | TYPE A | | ● | 8'-0" | SEE ELEVATIONS (8) (9) |
| | BEDROOM NO.1 | " | Carpet | " | " | " | " | " | " | | ● | " | SEE SECTION A-A |
| | HALL | " | " | " | " | " | " | " | " | | ● | " | SEE SECTION B-B |
| | BATH NO.1 | " | " | " | " | " | " | " | " | | ● | " | |
| | BEDROOM NO.2 | " | Carpet | " | " | " | " | " | " | | ● | " | SEE SECTION B-B |
| | FOYER | " | CERAMIC TILE | " | " | " | " | TYPE B | TYPE B | | ● | " | SEE SECTION B-B |
| | MUD ROOM | " | " | " | " | " | " | " | " | | ● | " | SEE SECTION B-B |
| | CLOSET | " | " | " | " | " | " | TYPE A | TYPE A | | ● | " | SEE ELEVATION (10) (11) |
| | GARAGE | 4" CONC W/SEALER | NONE | " | " | " | " | TYPE A | TYPE A | | ● | 8'-6" | |
| | ALCOVE | 3/4" T&G FLYWOOD | CARPET | " | " | " | " | TYPE B | TYPE B | | ● | 8'-0" | SEE SECTION C-C |
| | BEDROOM NO.3 | " | CARPET | " | " | " | " | TYPE A | TYPE A | | ● | " | SEE SECTION D-D |
| | CLOSET | " | " | " | " | " | " | " | " | | ● | " | |
| | BATH NO. 2 | " | CARPET | " | " | " | " | " | " | | ● | " | SEE SECTION E-E |
| | STUDY | " | CARPET | " | " | " | " | TYPE B | TYPE B | | ● | SLOPED CEILING | SEE SECTION D-D |
| | VESTIBULE | " | CERAMIC TILE | " | " | " | " | " | " | | ● | SLOPED CEILING | SEE PART SECTION - SEE SHEET A-13, ITEM NO. 6 |
| UPPER GREAT ROOM | " | " | " | " | " | " | " | " | | ● | 17'-5 1/2" | SEE SECTION C-C & F-F | |
| STORAGE-MECH. ROOM | 3/4" T&G FLYWOOD | VINYL ? | " | " | " | " | TYPE A | TYPE A | | ● | 8'-0" | | |

| | | | | | | | | | | |
|------------------------------|---------|-----------|----------|---------|----------|-----------|---------|-----------|-----------|-----------|
| BASE BID - PELLA COLOR - TAN | 2048CC2 | 2048 CC 1 | 2036 CC1 | 2042CC3 | 2042 CC2 | 2042 CC 4 | 2042CC1 | 2042 CC 1 | 2054 CC 4 | 2036 CC 2 |
|------------------------------|---------|-----------|----------|---------|----------|-----------|---------|-----------|-----------|-----------|



NOTE:

- THE FOLLOWING PELLA UNITS SHALL HAVE THE SLIM SHADE OPTION UNIT NO. 101, 102, 110, 106, 6, 5, 103, 104, 105. THIS IS FOR THE BASE BID. IF THE ALTERNATE (ANDERSEN) IS USED THIS OPTION IS VOID.
- ALL PELLA UNITS ARE TO BE TAN CLAD.
- ALL PELLA UNITS SHALL COME WITH FULL SCREEN.
- THE ALTERNATE UNITS (ANDERSEN) SHALL BE SANDSTONE CLAD.
- THE ANDERSEN UNITS SHALL BE SPEC'D WITH FULL SCREEN.
- ALL AUX. EXTERIOR TRIM FOR MARVIN WINDOWS AND DOORS WILL BE PROVIDED BY MARVIN AND INSTALLED BY G.C. EXCEPT FOR DOOR AND TRANSOM UNIT NO. 101 THIS TRIM SHALL BE CLEAR WHITE PINE STAINED AND INSTALLED AND SUPPLIED BY THE G.C.
- DOORS 105, 106 (PELLA) SHALL HAVE THE SLIM SHADES, VOID IF ALTERNATE ANDERSEN IS USED.
- ALL EXTERIOR TRIM FOR PELLA WINDOWS SHALL BE 3/4" X 3 1/2" CLEAR WHITE PINE SUPPLIED AND INSTALLED BY G.C.



WINDOW SCHEDULE:
1/4" = 1'-0"

REVISED PRINT
DESTROY ALL PRINTS OF PREVIOUS EDITION

DOOR SCHEDULE:
1/4" = 1'-0"

REVISED 3-27-95 OFFICE OF JOHN N. PORTS
 MR. & MRS. KEITH SHAFFER
 LOT 23, HERITAGE HILLS, YORK, PA.
 3-16-95 AS NOED B.D.P.
 ROOM FINISH SCHEDULE - WINDOW SCHEDULE
 DOOR SCHEDULE
 3-16-95 A-12