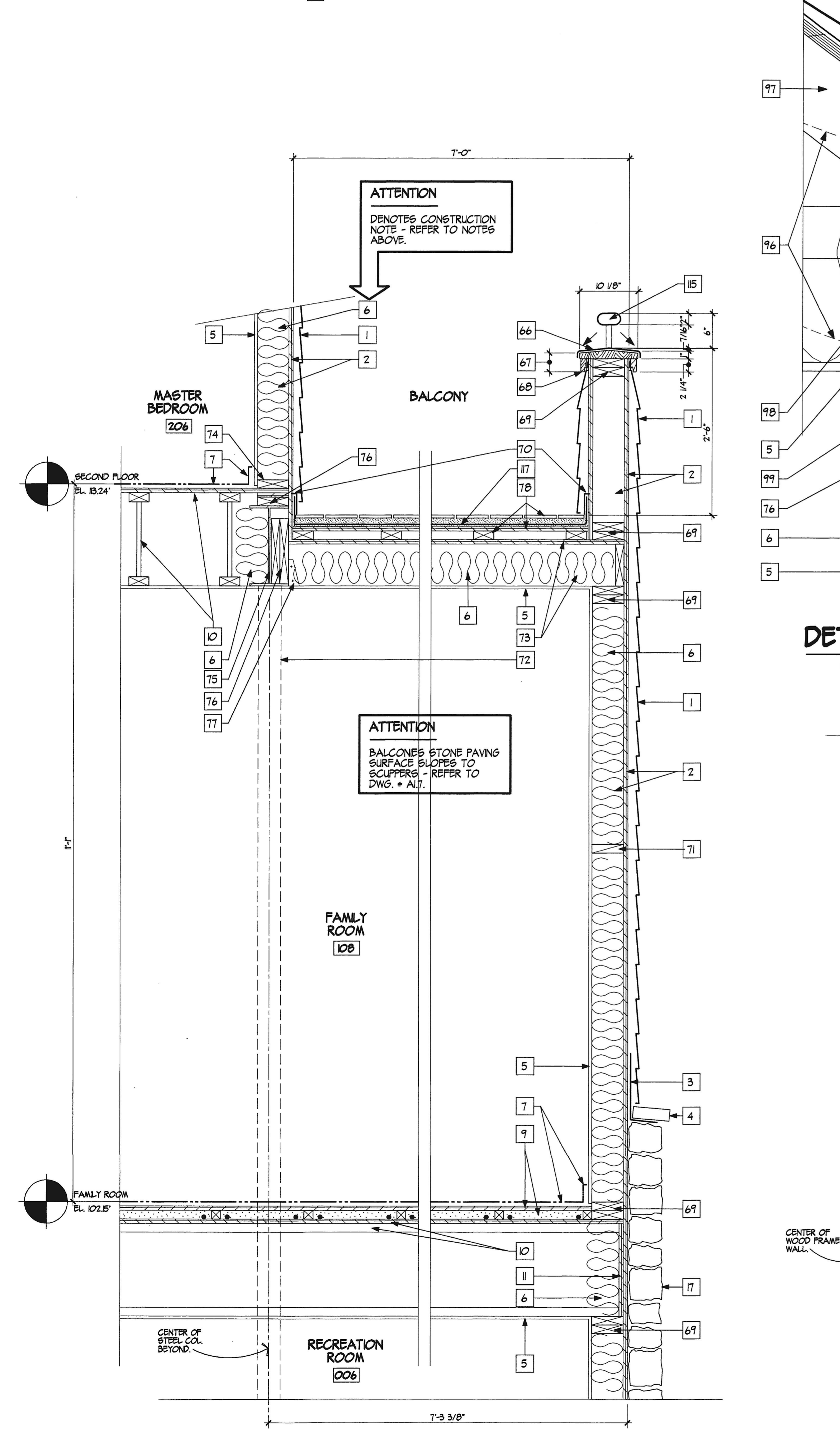
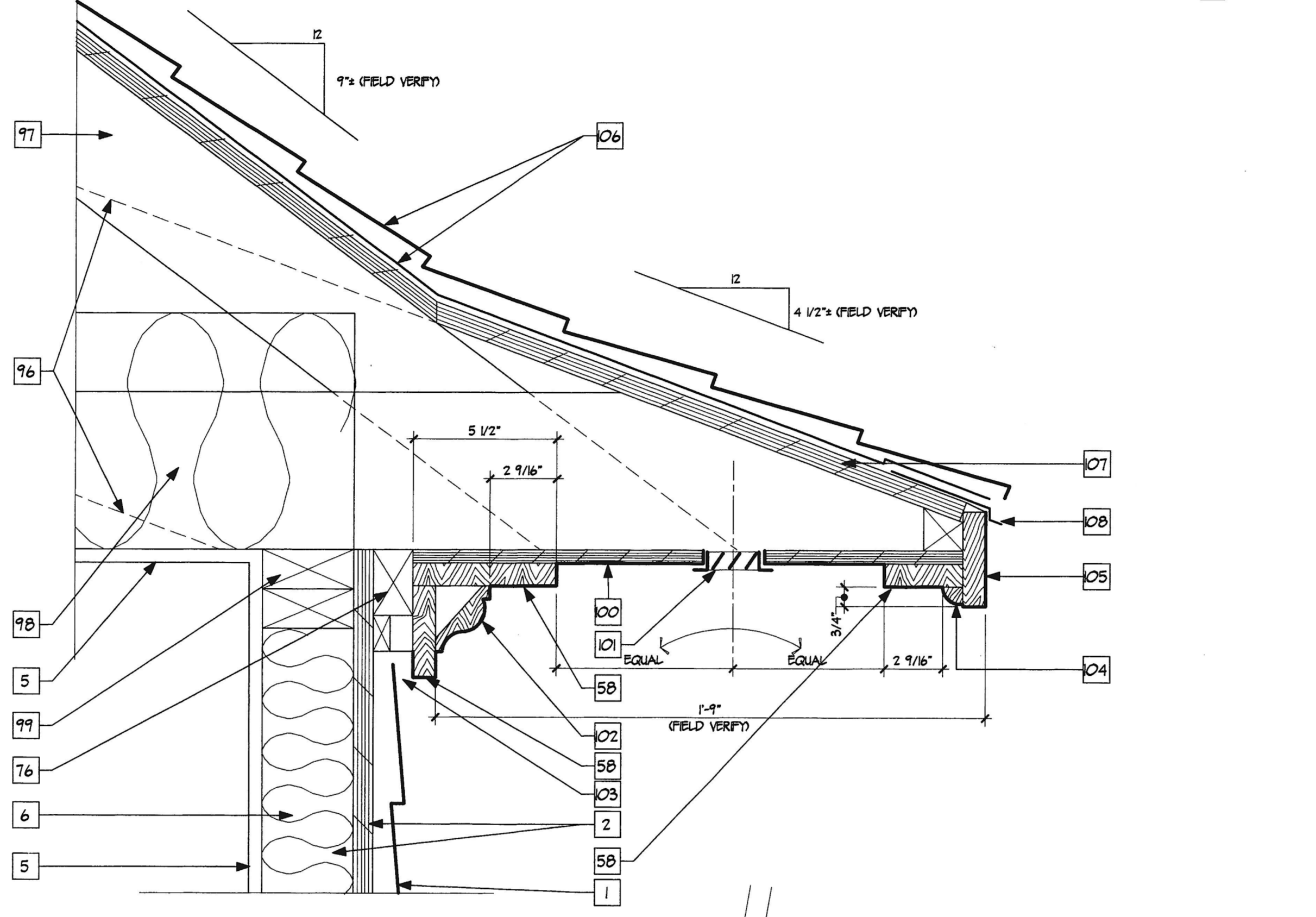


DETAIL NOTES

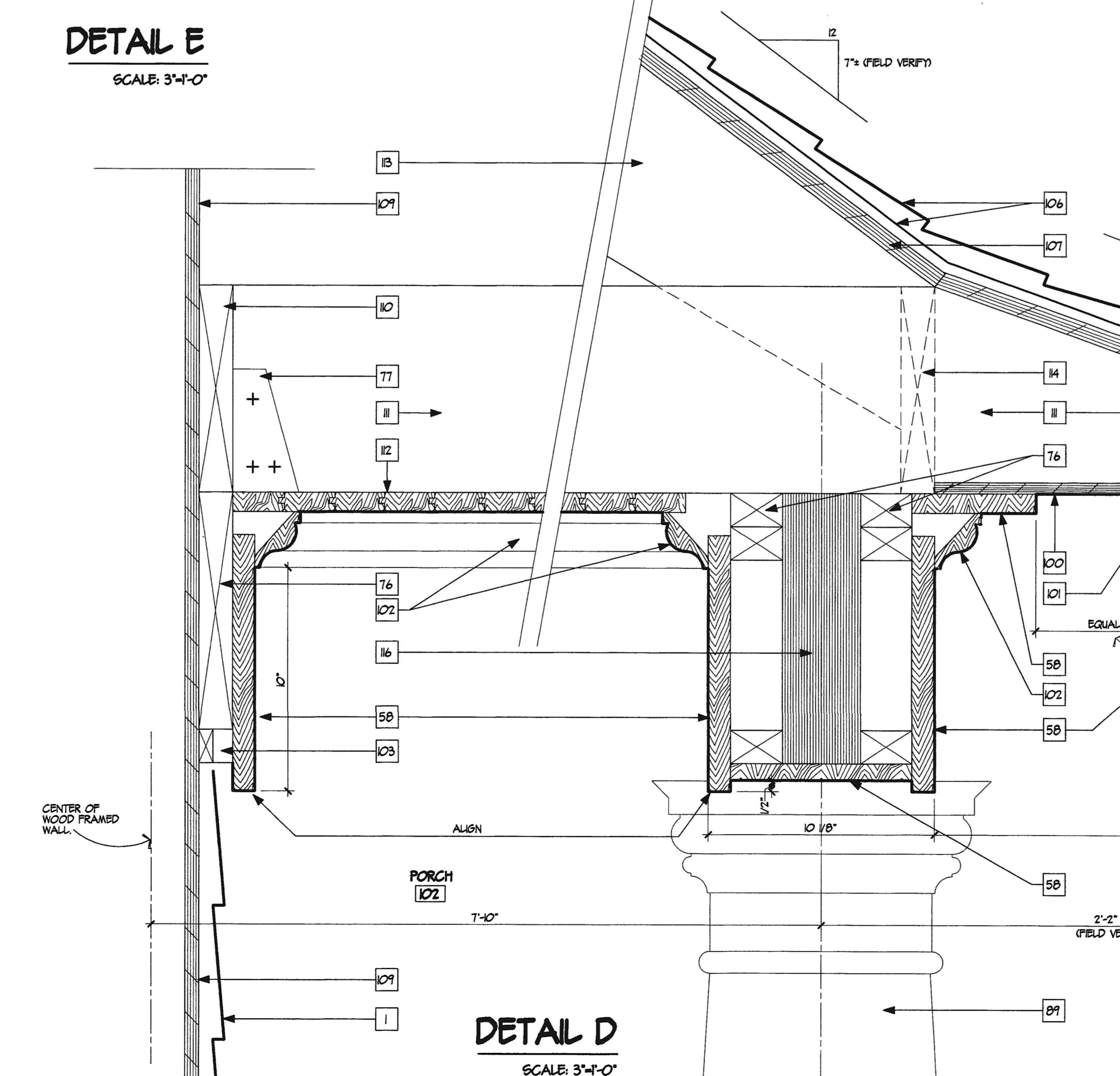
- 1 CEDAR SHINGLE SIDING OVER 1/2" FELT PAPER - MATCH EXIST.
- 2 5/8" PLYWOOD SHEATHING (SEE STRUCT. DWG'S) OVER 2 X 6 STUDS @ 16" O.C.
- 3 MTL. FLASHING (COPPER).
- 4 STONE CAP - SLOPE AS INDICATED
- 5 5/8" GWS.
- 6 6" BATT INSUL. (R-19) W / VB.
- 7 BASEBOARD & FLR. FIN. - SEE ARCH.
- 8 2 - 2 X 6 PRESURE TREATED WOOD SILL OVER 1/4" SILL SEALER OVER CONC. BLOCK.
- 9 RADIANT FLR. HEATING SYSTEM SHALL BE 3/4" PLYWOOD OVER 2 X 3 SLEEPERS @ 16" O.C. W / GYPCRETE FILL.
- 10 3/4" PLYWOOD SUBFLOOR OVER TJI JOIST - SEE STRUCT. DWG'S.
- 11 3/4" PLYWOOD PANEL.
- 12 2 X 4 WD. SILL PRESERVATIVE TREATED OVER 1/4" SILL SEALER OVER CONC. BLOCK FOUNDATION - REFER TO STRUCT. DWG'S. FOR ATTACHMENT.
- 13 2 X 8 WD. B.L.G.S. PRESERVATIVE TREATED OVER 1/4" SILL SEALER OVER CONC. BLOCK FOUNDATION - REFER TO STRUCT. DWG'S. FOR ATTACHMENT.
- 14 8" CANL.
- 15 12" CANL.
- 16 CAU FILLER COURSE AS NECESSARY - FIELD DETERMINE.
- 17 STONE VENEER.
- 18 WALL REIN. - REFER TO STRUCT. DWG'S.
- 19 EXT. STONE STAR CONST.
- 20 WATERPROOFING SYSTEM OVER 1/2" PARINGS.
- 21 FORM PARGED CANT @ FTG.
- 22 CONC. FTG. - REFER TO STRUCT. DWG'S.
- 23 1/2" EXP. JT. MATERIALS.
- 24 4" CONC. SLAB REIN. W / 6 X 6 X 8 W.W.M. OVER 6 ML. VB. AND 4" GRAVEL FILL.
- 25 PERIMETER INSUL. - SEE ARCHITECT.
- 26 BASEBOARD - SEE ARCH.
- 27 STONE TILE LEDGE - MATCH FLR. MATERIAL.
- 28 WD. TRIM - SEE ARCH.
- 29 5/8" GWS OVER 2 X 4 STUDS @ 16" O.C.
- 30 3 1/2" BATT INSUL. (R-19) W / VB.
- 31 3/4" PLYWOOD OVER INT. STAR FRAMING - SEE STRUCT. DWG'S.
- 32 FOUNDATION DRAINAGE SYSTEM - SEE ARCH.
- 33 15 LB. FELT PAPER OVER GRAVEL FILL.
- 34 APPROX. FIN. GRADE.
- 35 2 - 2 X 6 WD. SILL PRESERVATIVE TREATED OVER 1/4" SILL SEALER OVER CONC. BLOCK - REFER TO STRUCT. DWG'S. FOR ATTACHMENT.
- 36 4" CAU COURSE (4" H)
- 37 18" CAU.
- 38 TURNOUT CAU FOR BEARINGS.
- 39 APPLY WATERPROOFING SYSTEM TO FACE OF CAU PRIOR TO INSTALLATION OF STONE VENEER.
- 40 GRAVEL FILL AS INDICATED.
- 41 THRU-WALL FLASHING.
- 42 BLUESTONE CAP.
- 43 STONE PAVING OVER 1" SETTING BED, 4" CONC. SLAB REIN. W 6 X 6 X 8 W.W.M. AND 4" GRAVEL FILL.
- 44 LINEAR TRENCH DRAIN W / COPPER DRAINAGE PIPE AS INDICATED.
- 45 EXIST. BSMT. SLAB TO REMAIN.
- 46 EXIST. FTG. TO REMAIN.
- 47 EXIST. WALL CONST. TO REMAIN - ALTER TOP OF WALL AS NECESSARY.
- 48 FORMED CONC. WALL CAP AS INDICATED.
- 49 WINDOW CONST. - REFER TO WINDOW SCHEDULE.
- 50 WD. PANEL - SEE ARCHITECT.
- 51 2 - 2 X 6 WD. SILL PRESERVATIVE TREATED OVER 1/4" SILL SEALER OVER CONC. BLOCK - REFER TO STRUCT. DWG'S. FOR ATTACHMENT.
- 52 6" CAU.
- 53 5" CONC. SLAB REIN. W / 6 X 6 X 8 W.W.M. OVER 2" RIGID INSUL. 6 ML. VB. AND 4" GRAVEL FILL.
- 54 DRIVEWAY SURFACE - SEE ARCHITECT.
- 55 CONT. 2 X 6 WD. TRIM - SLOPE TOP AND PROVIDE DRIP AS INDICATED.
- 56 1 X 10 WD. TRIM.
- 57 2 - 2 X 8 WD. B.L.G.S.
- 58 5/4" X WD. TRIM AS INDICATED.
- 59 SYNTHETIC STUCCO OVER CONC. BLOCK.
- 60 DOOR LINT.
- 61 2 X 12 DOOR SILL AS INDICATED.
- 62 2 X 6 WD. SILL PRESERVATIVE TREATED OVER 1/4" SILL SEALER OVER CONC. BLOCK - REFER TO STRUCT. DWG'S. FOR ATTACHMENT.
- 63 TOP TRIM OF NEWEL POST MATCHES PROFILE OF TYP. EXT. RAILING - SEE "V" / A44.
- 64 BOT. TRIM OF NEWEL POST MATCHES PROFILE OF TYP. EXT. RAILING - SEE "V" / A44.
- 65 TOP OF DECK.
- 66 LEAD COATED COPPER CLADDING OVER WD. CAP - SLOPE TOP OF CAP EA. DIRECTION AS INDICATED.
- 67 WD. CAP PROFILE MATCHES TYP. EXT. WD. RAILINGS TOP RAIL - REFER TO DETAIL "V" / A44.
- 68 WD. TRIM - REFER TO NOTE #67.
- 69 2 - 2 X 6 WD. PLATE.
- 70 MTL. FLASHING LEAD COATED COPPER TURNED INTO RIGLET IN PLYWOOD SHEATHING.
- 71 2 X 6 WD. B.L.G.S. AT MID-HEIGHT OF WALL.
- 72 STL. PIPE COL. - REFER TO STRUCT. DWG'S.
- 73 3/4" PLYWOOD SUBFLOOR OVER 2 X 8 WD. FRAMING - REFER TO STRUCT. DWG'S.
- 74 2 X 6 WD. SILL.
- 75 STL. BM. - REFER TO STRUCT. DWG'S.
- 76 2 X 8 WD. B.L.G.S. AS NECESSARY.
- 77 MTL. JOIST HANGER - REFER TO STRUCT. DWG'S.
- 78 STONE PAVING OVER SETTING BED, 3/4" PLYWOOD AND 2 X 4 WD. SLEEPERS @ 16" O.C.
- 79 STONE TILE OVER 1" SETTING BED.
- 80 GYPCRETE FILL @ RADIANT HEATING SYSTEM.
- 81 WRAP BM. W / 3/4" PLYWOOD AS INDICATED.
- 82 2 X 4 WD. B.L.G.S. AS INDICATED.
- 83 STL. BM. AND ANGLE - REFER TO STRUCT. DWG'S.
- 84 2 X 6 WD. PLATE.
- 85 HARDWOOD FLOORING.
- 86 HARDWOOD TREAD & RISER.
- 87 SYNTHETIC STUCCO FINISH OVER CONC. BLOCK.
- 88 COPPER LEADER SPOUT THRU STONE.
- 89 WD. COL. - MATCH EXIST.
- 90 COL. BASE - MATCH EXIST.
- 91 TYP. EXT. WD. RAILING - REFER TO DET. V / A44.
- 92 STONE RISER.
- 93 STONE TREAD - SLOPE 1/4".
- 94 CAU FOUNDATION BEYOND AT COL.
- 95 CONC. FTG. BEYOND AT COL.
- 96 LINE OF FIELD APPLIED 2 X 12 TO CREATE SHALLOW PITCHED ROOF OVERHANG.
- 97 WD. TRUSS SYSTEM.
- 98 9" BATT INSUL. (R-30) W / VB.
- 99 2 - 2 X 6 PLATE.
- 100 1/2" EXT. GRADE PLYWOOD SOFFIT.
- 101 2" W. MDOSET LOUVERS.
- 102 3" W. CROWN MOULDING.
- 103 COR-A-VENT BEHIND WD. TRIM AS INDICATED.
- 104 1/4" ROUND WD. TRIM.
- 105 5/4" WD. FASCIA BD. - MATCH EXIST.
- 106 ASPHALT SHINGLES (MATCH EXIST) OVER 5 LB. FELT PAPER.
- 107 3/4" PLYWOOD ROOF DECK - REFER TO STRUCT. DWG'S.
- 108 MTL. DRIP EDGE ACCESSORY.
- 109 5/8" PLYWOOD SHEATHING - REFER TO STRUCT. DWG'S.
- 110 2 X 10 WD. HEADER.
- 111 WD. CLG. JOIST - REFER TO STRUCT. DWG'S.
- 112 7/8" X 2 1/4" T & 6 WD. CLG.
- 113 WD. RAFTERS - REFER TO STRUCT. DWG'S.
- 114 2X WD. B.L.G.S. BETWEEN RAFTERS.
- 115 2" X 4" STL. TUB RAIL W / COLLARED BRACKET CONNECTION AT WD. CAP.
- 116 MICROGLAM BM. - REFER TO STRUCT. DWG'S.
- 117 SINGLE-PLY ROOFING MEMBRANE BETWEEN PLYWOOD AND SETTING BED AS INDICATED.
- 118 RADIANT HEATING SYSTEM SHALL BE 1/2" THK. GYPCRETE OVER PLYWOOD SUBFLOOR.
- 119 RADIANT HEATING SYSTEM - SEE ARCH.



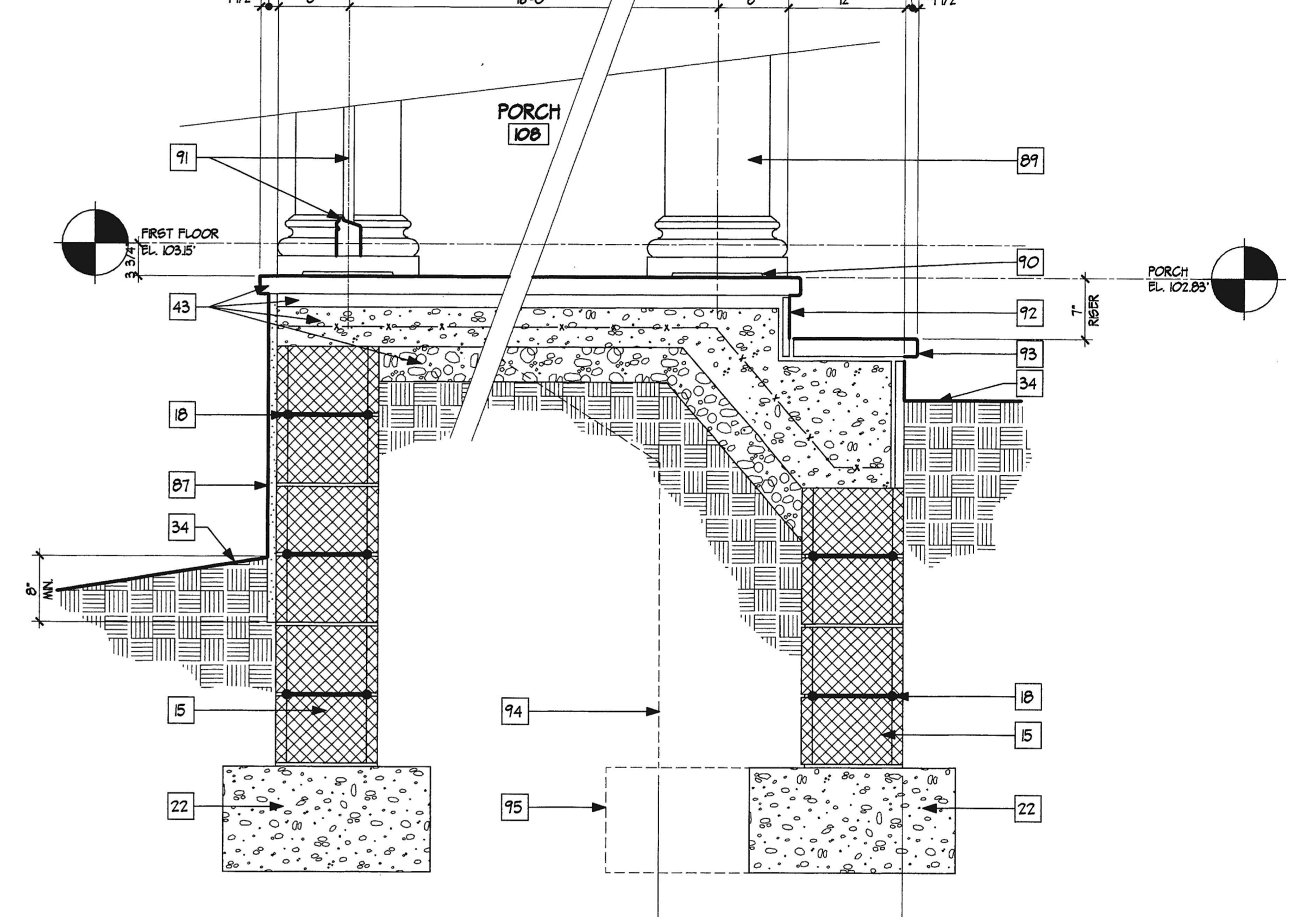
DETAIL L
SCALE: 1/4"=0'



DETAIL E
SCALE: 3/4"=0'



DETAIL D
SCALE: 3/4"=0'



DETAIL R
SCALE: 1/4"=0'

CONSULTANTS:

ADDITION &
RENOVATION FOR
BEHRENS RESIDENCE
7506 LHIRONDELLE CLUB ROAD
RUXTON, MARYLAND 21204

ISSUED FOR:
CONSTRUCTION / PERMIT

PROJECT NO. 0108

DATE: MAY 14, 2002
JUNE 7, 2002
AUGUST 9, 2002