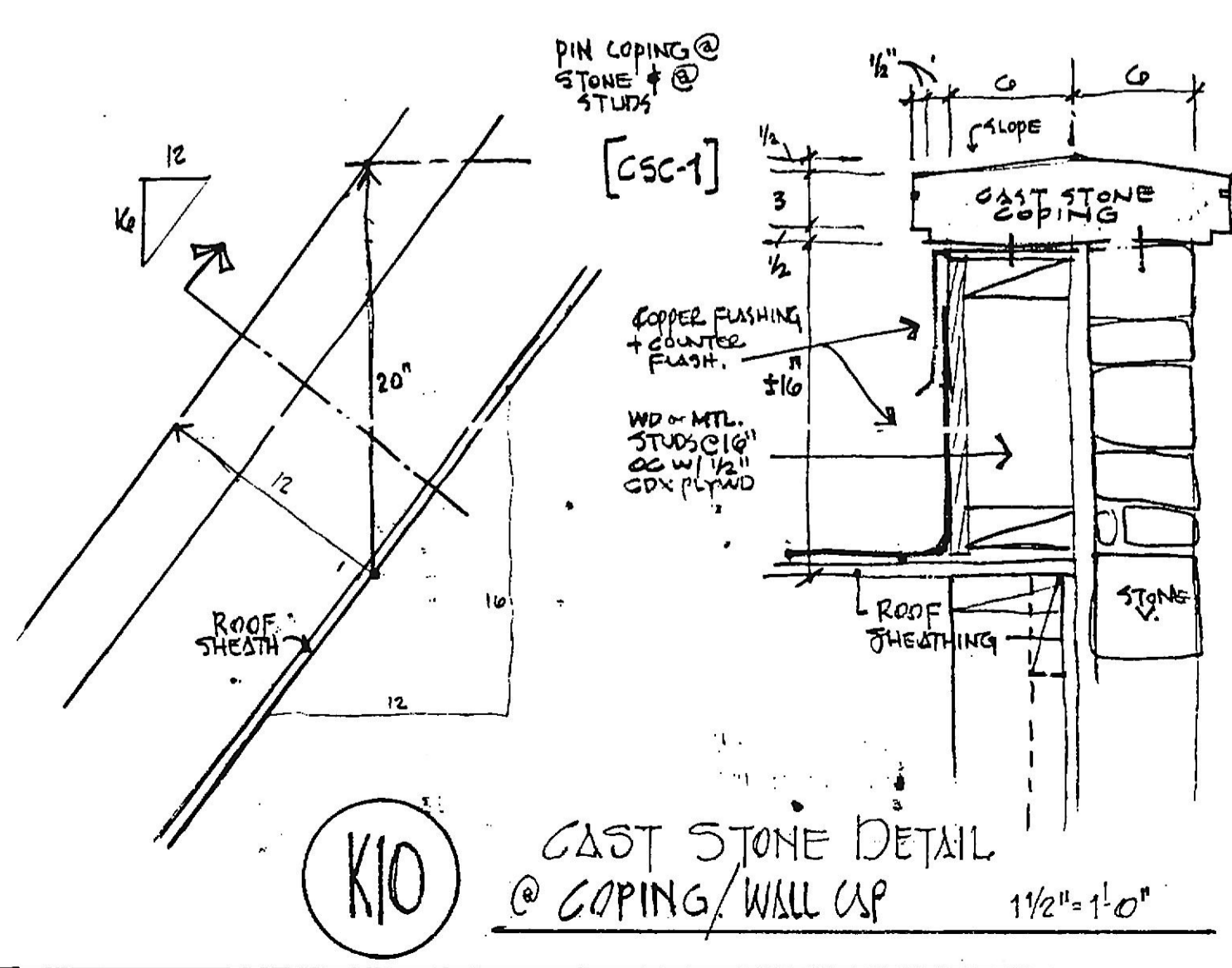
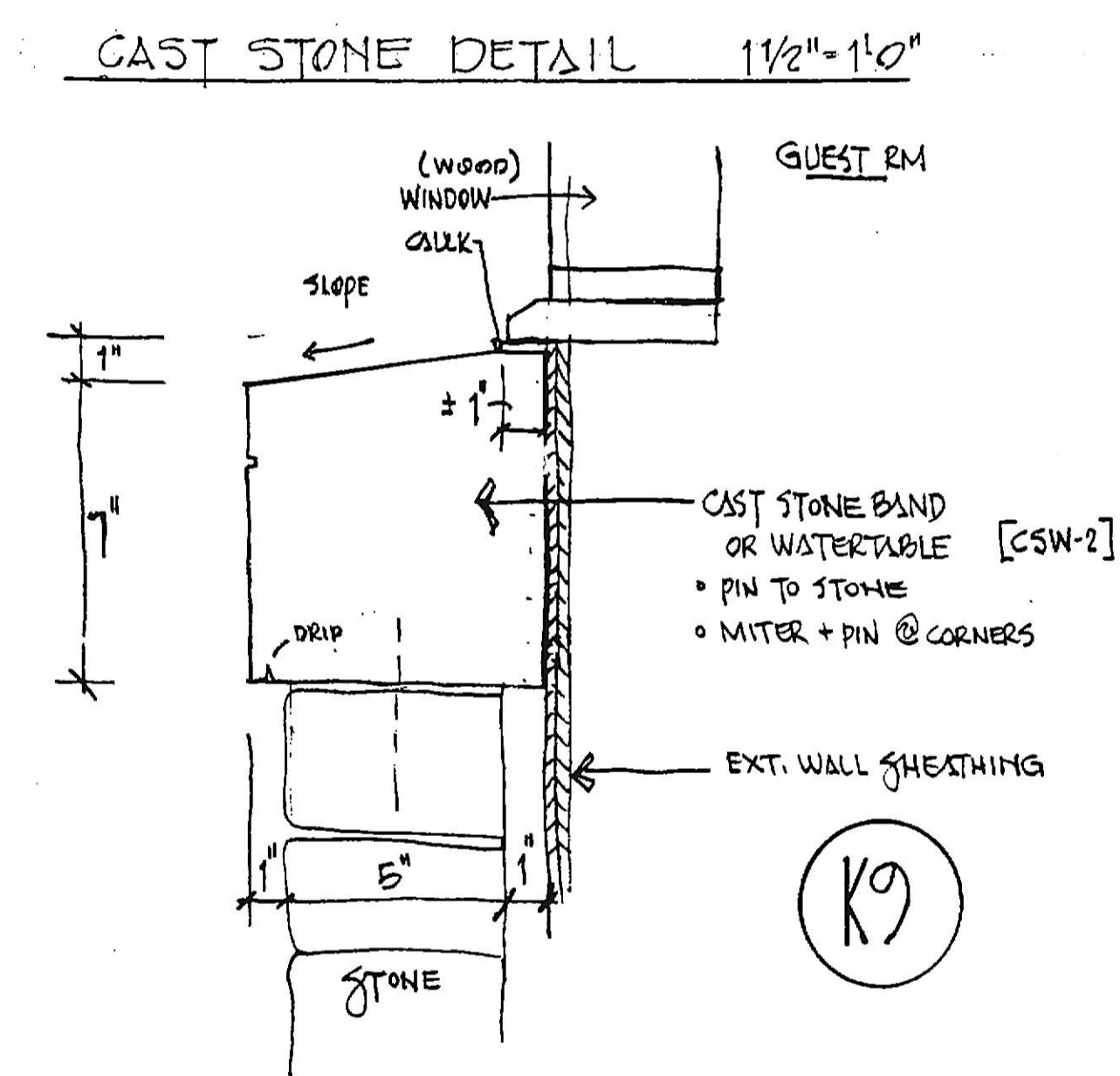
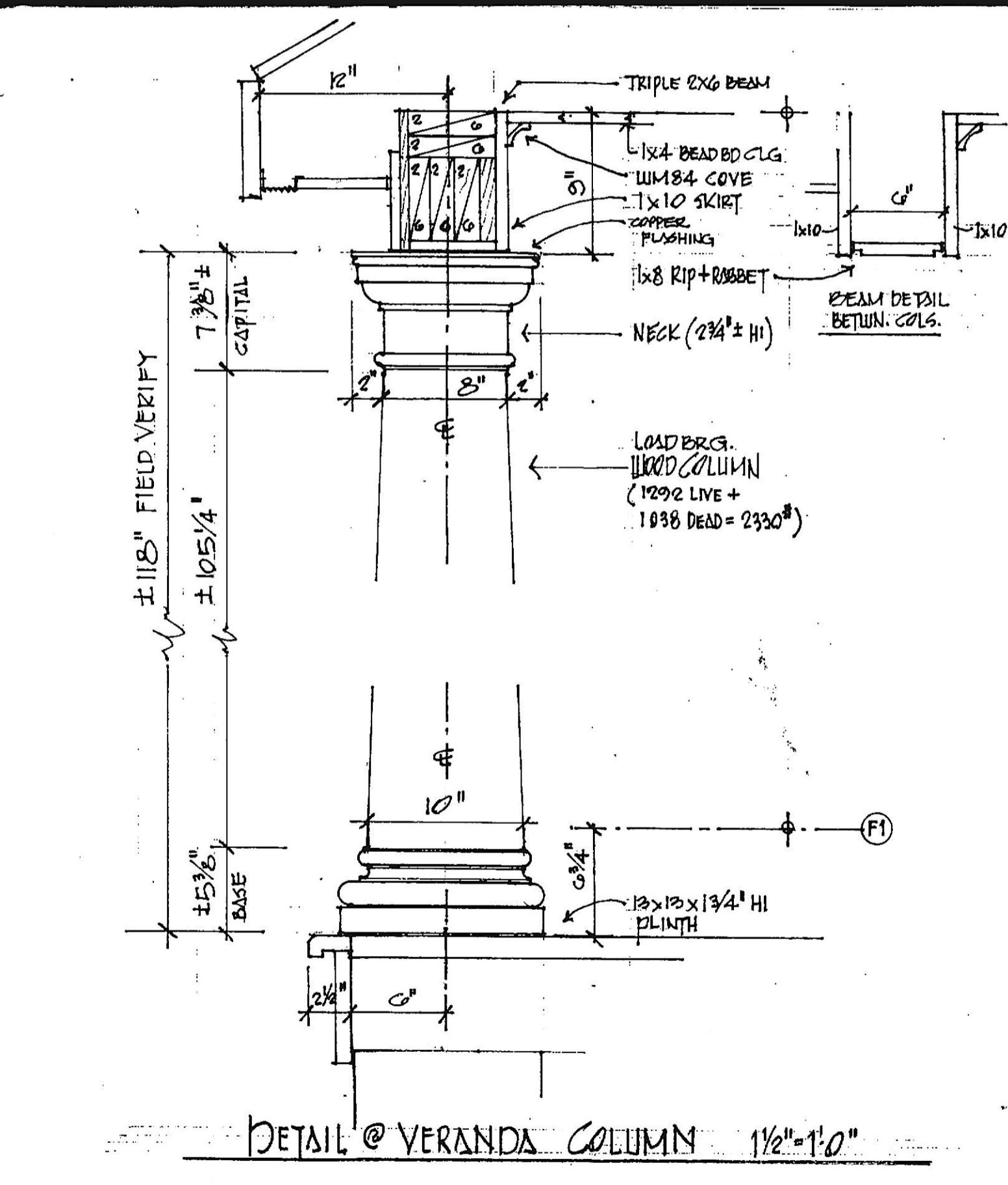
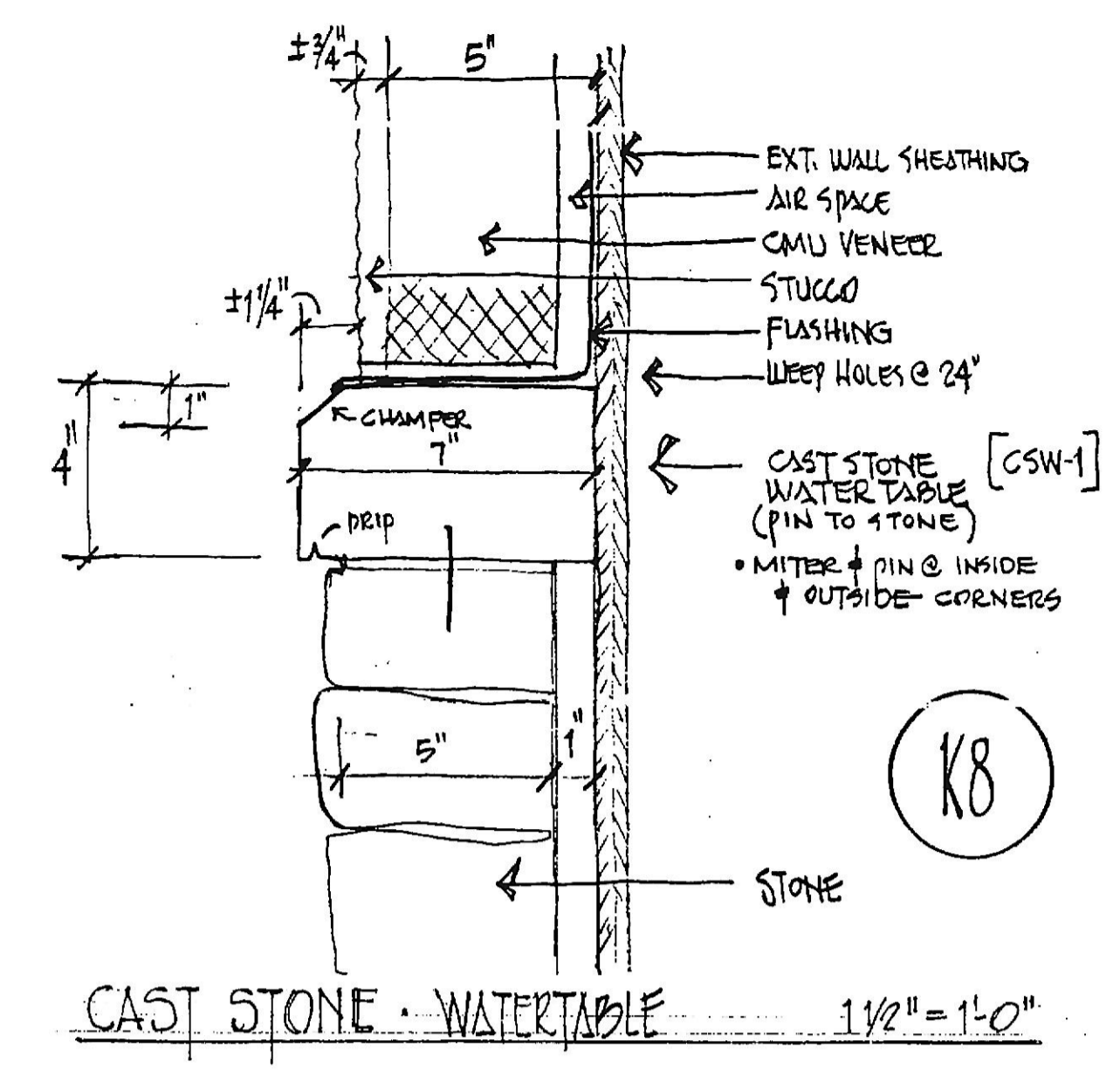
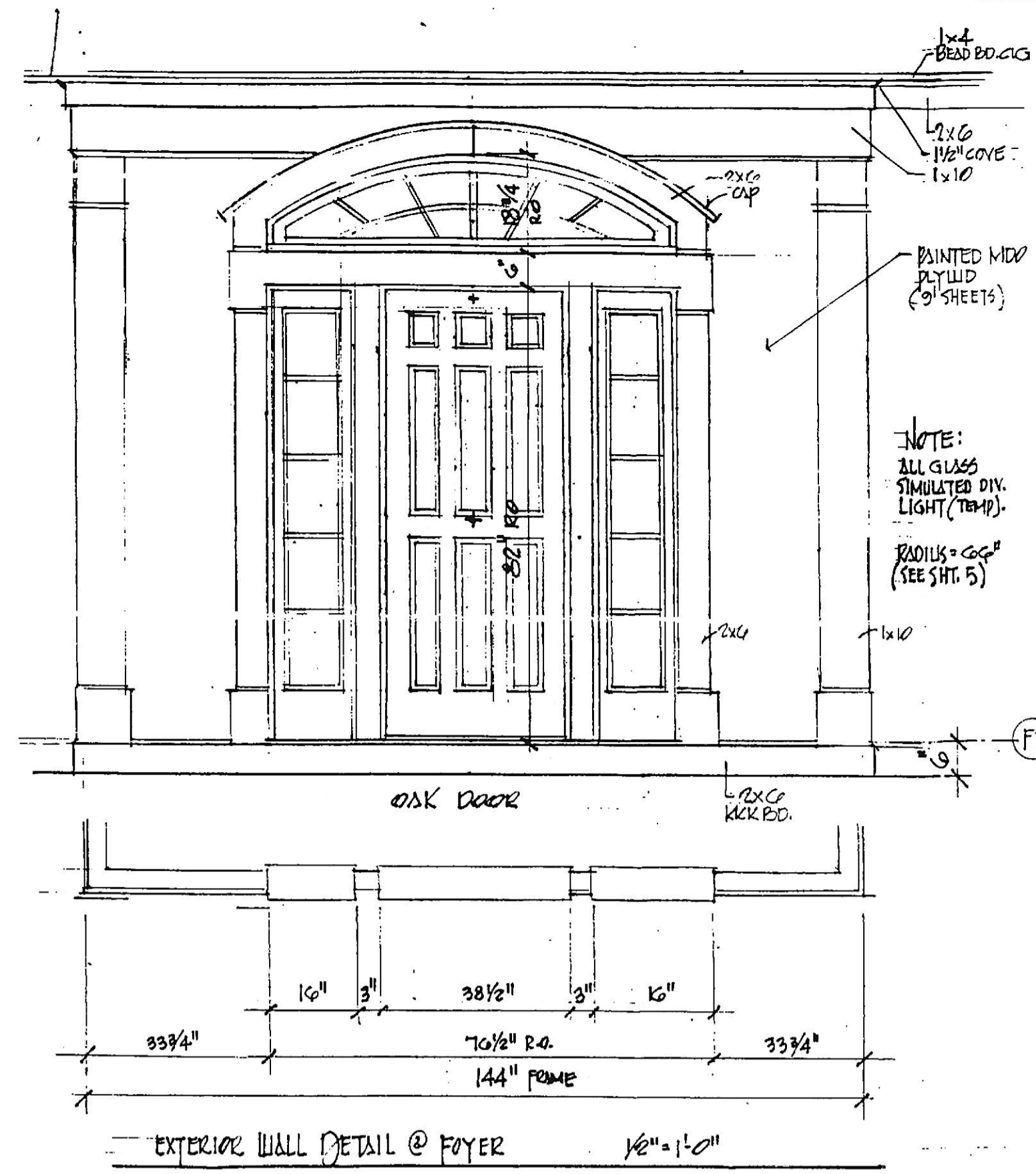


DATE
07 Nov 2000



KMA - KEVIN MCKENNA ARCHITECTS
 P.O. BOX 722 COLUMBIA MD 21045
 TEL: 410.981.9817 FAX: 410.981.0929
 WWW: KEVINMCKENNA-ARCHITECT.COM

PROPOSED NEW SINGLE FAMILY HOME
 THE DRIPPS RESIDENCE
 TOWSON - BALTIMORE COUNTY - MD

COPYRIGHT: KEVIN MCKENNA ARCHITECTS: APRIL 2000.

EXTERIOR DETAILS
 SEE NOTES ON SHEET SIX

DRAWN
CHECKED
SCALE AS NOTED
JOB NO.
SHEET FOURTEEN-B