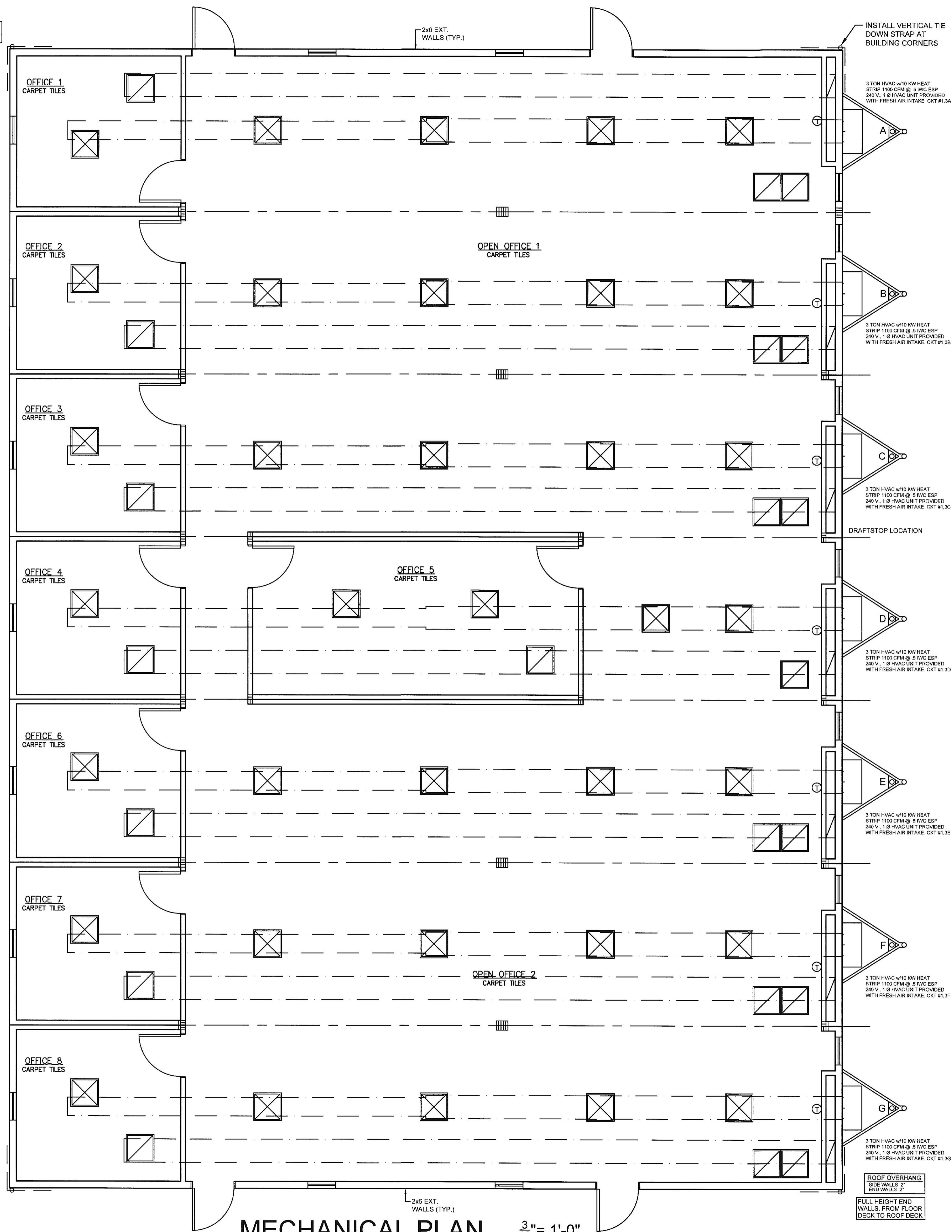


ROOF OVERHANG
SIDE WALLS 2'
END WALLS 2'

FULL HEIGHT END
WALLS, FROM FLOOR
DECK TO ROOF DECK



SYMBOL LEGEND

- ⌘ / ⌘ WALL MOUNT LIGHT SWITCH
- ⌘ SGL POLE / OCCUPANCY SENSOR SWITCH
- ⌘ J-BOX IN WALL OR FLOOR (NON POWERED)
- ⌘ 120 V DUPLEX RECEPTACLE IN FLOOR
- ⌘ 120 V DUPLEX RECEPTACLE
- ⌘ 120 V DUPLEX RECEPTACLE @ COUNTER TOP HEIGHT
- ⌘ RECESSED FLUORESCENT LIGHT FIXTURE W/ 2-25W BULBS
- ⌘ 24"x24" RETURN AIR CEILING REGISTER
- ⌘ 24"x24" SUPPLY AIR CEILING REGISTER
- ⌘ FLUSH MOUNT 120 / 240 V 1 Ø ELECTRICAL PANEL
- ⌘ WALL MT 7-DAY PROGRAMMABLE THERMOSTAT
- ⌘ EXTERIOR REMOTE HEAD EMERGENCY LIGHT
- ⌘ CEILING MT COMBO LIGHTED EXIT SIGN / EMERGENCY LIGHT 90 MINUTE CAPACITY
- ⌘ 60 W EXTERIOR PORCH LIGHT W/ PHOTO CELL, WEATHER PROOF

RADCO APPROVED
Jan 08, 2021
RESOURCES, APPLICATIONS, DESIGN & CONTROLS, INC.
EASTERN NATIONAL REGION
5801 BENJAMIN CENTER DRIVE, SUITE 102
TAMPA, FL 33634
(813) 243-0370 - O | (813) 243-1314 - F
www.radcoinc.com

RADCO
YOUR VISION • OUR MISSION

THIRD PARTY DESIGN APPROVAL & INSPECTION AGENCY



PROFESSIONAL CERTIFICATION. I HEREBY CERTIFY THAT THESE DOCUMENTS WERE PREPARED OR APPROVED BY ME, AND THAT I AM A DULY LICENSED PROFESSIONAL ENGINEER UNDER THE LAWS OF THE STATE OF MARYLAND, LICENSE NO. 50207, EXPIRATION DATE: 11-30-2022.

TITAN MODULAR SYSTEMS, INC.
162 INDUSTRIAL DRIVE * ALMA, GA 31510
912-632-3344 (PH) * 912-632-3345 (FX)

DATE: 12-28-20	ENGINEERS: JAMES ALLEN CHAPMAN, P.E. AMERICUS, GA 31719
SCALE: N-T-S	
CODES: MD, NC, VA	
TMS-5885 A-G - 84'x60' - BUSINESS	
MECHANICAL	PAGE: 5 / 8

MECHANICAL PLAN 3/16" = 1'-0"