

NO ATTIC VENTILATION IS REQUIRED

2X4 SYP#2 MINIMUM TOP RAIL FASTENED WITH (4) 15 GA. X 7/16" X 2-1/2" STAPLES INTO EACH JOIST. SPLICE PER DETAIL AT RIGHT.

EXTERIOR FINISH OVER STRUCTURAL BRACING-SEE EXT. WALL BRACING SPECS
2X6 SYP#2 MINIMUM BOTTOM RAIL FASTENED WITH (12) 15 GA. X 7/16" X 2-1/2" STAPLES INTO EACH VERTICAL.

CRIPPLE STUDS 2x6 SYP#2 @ 16" O.C.
2x HEADER PER APPROVED STRUCTURAL PACKAGE

SILL PLATE 2x6 SYP#2
CRIPPLE STUDS 2x6 SYP#2 AT 16" O.C.
3/4" TONGUE & GROOVE PLYWOOD STURD-I-FLOOR, EXP.-1, 24" O.C.

BOTTOM PLATE 2x6 SYP#3
26 GA. X 1-1/2" STEEL STRAP FROM RAIL TO EACH WALL STUD FASTENED W/ (7) 15 GA. X 1-1/8" STAPLES PER STRAP END (TYPICAL SIDEWALLS).

LAG CHASSIS TO FLOOR JOISTS PER APPROVED STRUCTURAL PACKAGE
OUTRIGGERS AND CROSSMEMBERS PER APPROVED STRUCTURAL PACKAGE

INSTALL 2X4 SYP#3 MIN. RAIL, W/ PLYWOOD FILLERS IF NEEDED, EACH SIDE, AT ROOF PEAK FASTENED TO EACH JOIST/TRUSS W/ (2) 16d NAILS WITH 2" MIN. PENETRATION INTO TRUSS, OR EQUAL, WHERE ROOF RIDGE BEAM DOES NOT EXTEND TO TOP OF ROOF. TAPER RAIL WHEN SPACE IS LESS THAN 3.5" ABOVE BEAM. ALSO INSTALL RAIL AT BOTTOM OF JOIST/TRUSSES OVER MARRIAGE WALL WHERE RIDGE BEAM IS NOT REQUIRED. (TYP)

FASTEN RIDGE BEAM TO EACH TRUSS WITH MINIMUM (12) 15 GA X 2 1/2" STAPLES WITH 1" PENETRATION INTO TRUSS OR EQUIVALENT FASTENING.

SITE INSTALL 3/8" LAG SCREWS STAGGERED FROM SIDE TO SIDE @ 16" O.C. MAX. LAG SCREWS SHALL PENETRATE 1.75" MIN. INTO ADJACENT RIDGE BEAM ALTERNATE INSTALLATION: LAGS MAY BE INSTALLED FROM THE INTERIOR OF ATTIC SPACE

SUSPENDED CEILING 2'X2'
MATLINE RIDGE BEAM, SEE NOTES BELOW FOR CONSTRUCTION
DBL TOP PLATE 2X4 SYP#3

9'-0" CEILING HEIGHT
9'-6" WALL HEIGHT

CUTBACK FLOOR DECKING AT MATELINE OPENINGS 2.5"

47 3/4" G
95 1/2"

48" TYP.

T & G JOINT (TYP.)

4" SOLID CONCRETE CAP BLOCK (TYPICAL)

TYPICAL I-BEAM PIER

26 GA. X 1 1/2" STEEL STRAP FROM RIDGE BEAM OR RAIL TO EACH WALL STUD (16" O.C.) FASTENED W/ (7) 15 GA. X 1 1/8" STAPLES PER STRAP END

MATE LINE WALL STUDS 2x4 SYP#2 @ 16" O.C.
INTERIOR WALL FINISH

26 GA. X 1 1/2" STEEL STRAP FROM RIM JOIST TO EACH WALL STUD (16" O.C.) FASTENED W/ (7) 15 GA. X 1 1/8" STAPLES PER STRAP END

BOTTOM PLATE 2x4 SYP#3
DBL 2"x8" RIM RAILS AT MATLINE

SITE INSTALLED 3" LAG SCREWS STAGGERED FROM SIDE TO SIDE AT 48" O.C. MAX. LAG SCREWS MUST PENETRATE 1" MINIMUM INTO ADJACENT MODULE RIM JOIST (TYPICAL AT ALL MARRIAGE LINES)

I-BEAM-M12x10
GRADE

SEE MECHANICAL NOTES AND FLOOR PLAN FOR CEILING DUCT SPECIFICATIONS.

DOUBLE TOP PLATE 2x6 SYP#3
INTERIOR WALL FINISH

R-19 INSULATION UN-FACED (MIN.)

R-30 INSULATION UN-FACED (R-25 EFFECTIVE)

RIM RAIL 2x8 SYP#2
FLOOR JOIST 2x8 SYP#2 AT 16" O.C.

45 MIL BLACK EPDM ROOF COVERING SEE ROOF SHEATHING DETAIL
LISTED TRUSS AT 24" O.C. UFP TRUSS# F0350656 ALTERNATE:
LISTED TRUSS AT 16" O.C. UFP TRUSS# F0659601
LIVE LOAD 30 PSF TOP CHORD
DEAD LOAD 15 PSF TOP CHORD

R-49 INSULATION UNFACED SUPPORTED W/ NETTING

26 GA. X 1-1/2" STEEL STRAP FROM RAIL TO EACH WALL STUD FASTENED W/ (7) 15 GA. X 1-1/8" STAPLES PER STRAP END (TYPICAL SIDEWALLS).

EXTERIOR WALL STUDS 2x6 SYP#2 AT 16" O.C.
EXTERIOR WALL FINISH
EXTERIOR WALL STRUCTURAL BRACING SIDEWALLS:

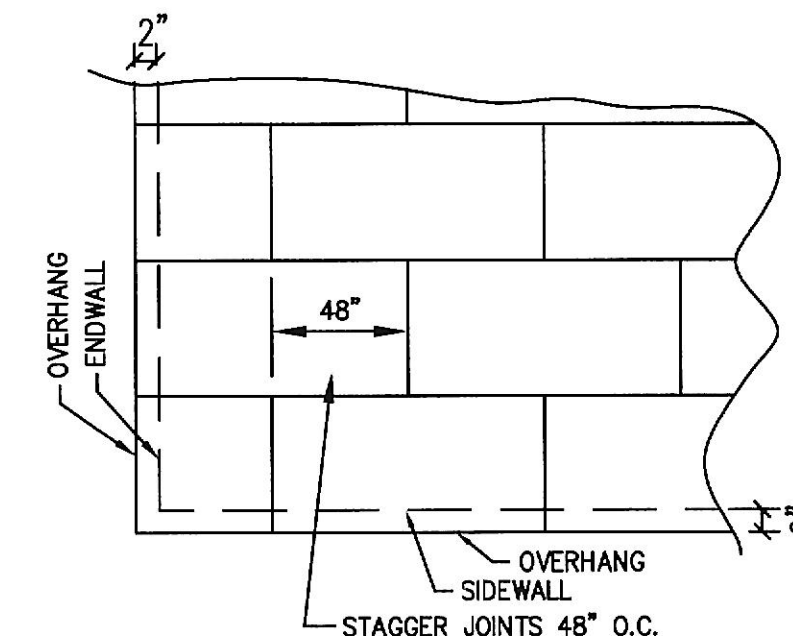
BRACING INSTALLATION: STRUCTURAL SHEATHING SHALL CONSIST OF A 4 FOOT MINIMUM WIDTH SHEET EXTENDING CONTINUOUSLY FROM TOP TO BOTTOM PLATE WITH ALL SHEATHING EDGES EXTENDING 3/4" MINIMUM OVER 2" NOMINAL LUMBER OF THE SAME SIZE AND GRADE AS EXTERIOR WALL FRAMING. BRACING SHALL BE FULL WRAP
BRACING MATERIAL: 7/16" OSB APA RATED SHEATHING EXP. 1, FASTENED WITH 8d COMMON OR GALV. BOX NAILS 3" O.C. EDGES AND 12" O.C. IN THE FIELD.

ENDWALLS: BRACING INSTALLATION: STRUCTURAL SHEATHING SHALL EXTEND CONTINUOUSLY FROM TOP OF TRUSS TOP CHORD TO 3/4" MINIMUM BELOW TOP OF RIM JOIST WITH ALL SHEATHING EDGES SUPPORTED BY 2" NOMINAL LUMBER OF THE SAME SIZE AND GRADE AS EXTERIOR WALL FRAMING.
BRACING MATERIAL: 7/16" OSB APA RATED SHEATHING EXP. 1, FASTENED WITH 8d COMMON OR GALV. BOX NAILS 3" O.C. EDGES AND 12" O.C. IN THE FIELD.

R-19 INSULATION UN-FACED

R-30 INSULATION UN-FACED (R-25 EFFECTIVE)

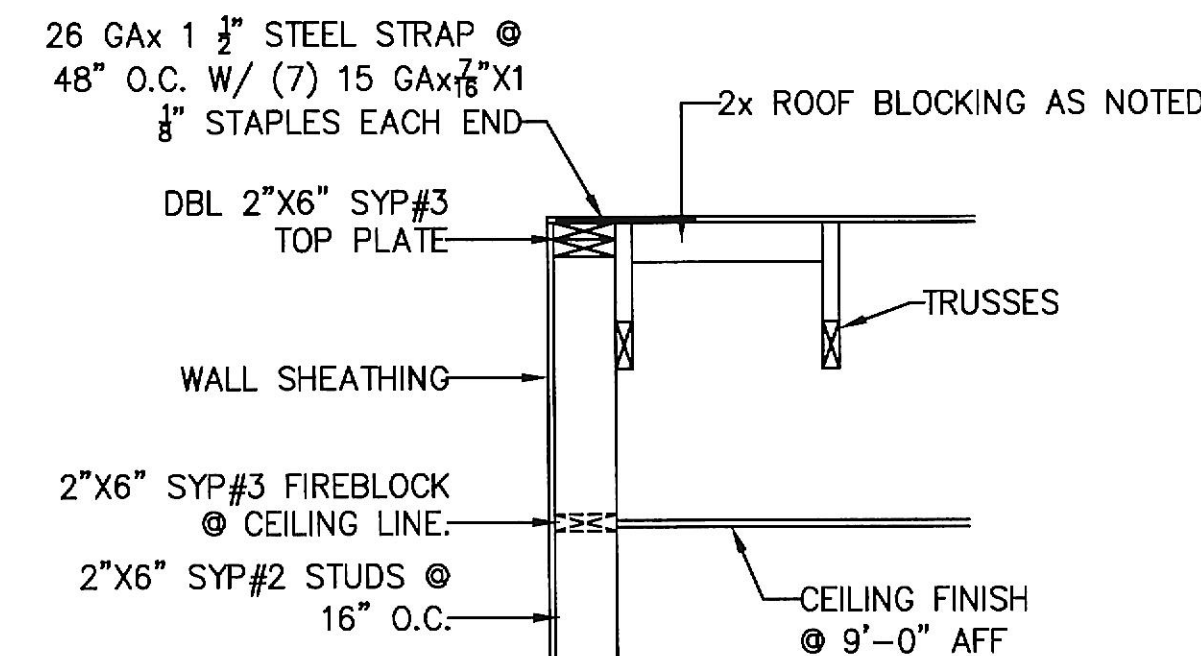
RIM RAIL 2x8 SYP#2
FLOOR JOIST 2x8 SYP#2 AT 16" O.C.



7/16" OSB SHEATHING EXP 1, 24/16 TO BE FASTENED TO JOISTS/ TRUSSES WITH 8d RING SHANK NAILS AT 6" O.C. ON EDGES AND 12" O.C. IN FIELD.

THE EPDM SHALL BE ADHERED TO STANDARD 7/16" OSB RATED SHEATHING, EXP. 1, 24/16 INDEX USING MULE-HIDE FR ADHESIVE, INSTALLED IN ACCORDANCE WITH INTERTEK CODE COMPLIANCE RESEARCH REPORT CCR-1080. THIS ASSEMBLY WILL PROVIDE A CLASS 'C' FIRE CLASSIFICATION.

ROOF SHEATHING DETAIL



END WALL FRAMING AT ROOF N-T-S

GENERAL CROSS SECTION NOTES:

- UNLESS OTHERWISE SPECIFIED, ALL STEEL SHALL COMPLY WITH ASTM A36, YIELD STRENGTH 36 KSI
- ALL LAG SCREWS SHALL COMPLY WITH ANSI/ASME B18.2.1. Fyb = 60 KSI MINIMUM
- SEE FOUNDATION PLAN FOR PIER AND THE TIE DOWN ANCHORAGE LOCATIONS, ORIENTATIONS AND SPECIFICATIONS.
- WHERE 1" STAPLES ARE SPECIFIED THIS SHALL MEAN 1" PENETRATION INTO THE HOLDING MEMBER
- FOR TIE DOWN STRAP FASTENERS PROVIDE 1/2" MINIMUM SPACE BETWEEN ALL STAPLES AND 3/4" MINIMUM SPACE BETWEEN ALL NAILS UNLESS OTHERWISE PERMITTED BY STRAP MANUFACTURER'S LISTING. ALL FASTENERS SHALL BE INSTALLED IN CENTER 1/3 RD OF THE STRAP WIDTH. DO NOT INSTALL SIDE BY SIDE, IN NO CASE SHALL SPLITTING OF WOOD BE PERMITTED.
- WHERE KRAFTBACK OR OTHER VAPOR RETARDERS ARE SPECIFIED THEY SHALL BE INSTALLED ON THE INTERIOR SIDE OF THE ASSEMBLY UNLESS OTHERWISE SPECIFIED.
- ALL VAPOR RETARDERS ON THE EXPOSED INSULATION SHALL BE FOIL FACE TYPE VAPOR RETARDERS WITH A FLAMESPREAD RATING <25 AND SMOKE DEVELOPMENT RATING < 450.
- SEE GENERAL NOTES ON COVER SHEET FOR INTERIOR FINISH MATERIAL RATING CLASSIFICATIONS.

RIDGE BEAM CONSTRUCTION

RIDGE BEAM CONSTRUCTION:
4 LAYERS 3/4" x 24" PLYWOOD, RATED SHEATHING, EXP.-1, 48/24 INDEX, (STRUCT.1 - 5 PLY / 5 LAYER)
EACH SIDE OF EACH MARRIAGE LINE CONTINUOUS OVER SPANS. SEE FLOOR PLAN FOR PLY LOCATIONS.

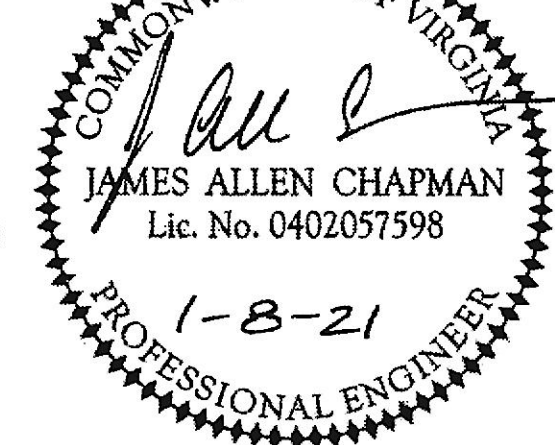
NOTES:

- PLYWOOD FACE GRAIN MUST BE PARALLEL TO THE RIDGE BEAM SPAN.
- ALL PLYWOOD BUTT JOINTS MUST BE STAGGERED 24" MINIMUM.
- ALL RIDGE BEAM PLYWOOD LAMINATIONS MUST BE THE SAME DEPTH, THICKNESS, AND GRADE OF PLYWOOD. NO LUMBER OR PLYWOOD FLANGES ARE PERMITTED.
- PLYWOOD MUST BE MANUFACTURED IN ACCORDANCE WITH PS I-09.
- PLYWOOD LAMINATIONS IN EACH HALF OF THE UNITS MUST BE GLUE-NAILED TO ADJACENT LAYERS IN ACCORDANCE WITH PDS SUPPLEMENT #5, WITH AN ADHESIVE COMPLYING WITH ASTM D2559. SEE APPROVED PACKAGE FOR MECHANICAL FASTENER SPECIFICATIONS AND SPACING REQUIREMENTS.
- PLYWOOD MUST NOT BE TREATED WITH A FIRE RETARDANT PROCESS.
- MOISTURE CONTENT MUST BE 15% OR LESS AT TIME OF BEAM CONSTRUCTION.
- RIDGE BEAMS MUST EXTEND CONTINUOUS OVER ENTIRE LENGTH OF ALL SUPPORT COLUMNS & HEADERS.
- INSTALL 2x4 SYP#3 MINIMUM RIDGE BEAM BEARING STIFFENER OVER SUPPORT COLUMNS & HEADER WHEN SPECIFIED ON FLOOR PLAN. STIFFENER HEIGHT SHALL NOT BE LESS THAN RIDGE BEAM HEIGHT LESS 4 INCHES. FASTEN THE FACE OF THE STIFFENER TO THE RIDGE BEAM WITH 100% GLUE COVERAGE AND 6- 16 GA. X 2-1/2" STAPLES.

INTERIOR FINISH MATERIALS:
CEILING: CLASS 'A' 2X2 SUSPENDED CEILING INSTALLED PER MANUFACTURER'S SPECIFICATIONS
WALL: 1/2" VINYL CLAD GYPSUM BOARD
INTERIOR FINISHES SHALL BE CLASS 'A' FOR EXITS & OTHER THAN EXITS SHALL BE 'A' OR 'B'.
FLOOR: CARPET TILES PER PLAN.
FLOOR FINISHES SHALL BE NO LESS THAN CLASS II LISTED PRODUCT

EXTERIOR FINISH MATERIALS:
ROOF: MULEHIDE 45 MIL (BLACK) EPDM FULLY ADHERED OVER 7/16" OSB DECKING W/ MULEHIDE FR ADHESIVE
WALL: JAMES HARDIE SIERRA PANEL SIDING INSTALLED OVER HOUSE WRAP & 7/16" OSB STRUCTURAL SHEATHING.

STATE OF MARYLAND PACKAGE REFERENCES:
FRAME I-BEAM DESIGN - C10.1
FLOOR SYSTEM DESIGN - C5.2
MATELINE COLUMNS - C27.5
MATELINE PLYWOOD BEAMS - C29.2
OVERTURNING AND SLIDING - D24.6 -24.7
LONGITUDINAL TIE DOWN - D25.0



RADCO APPROVED
Jan 08, 2021
RESOURCES, APPLICATIONS, DESIGN & CONTROLS, INC.
EASTERN NATIONAL REGION
5801 BENJAMIN CENTER DRIVE, SUITE 102
TAMPA, FL 33634
(813) 243-0370 - O | (813) 243-1314 - F
www.radcoinc.com

THIRD PARTY DESIGN APPROVAL & INSPECTION AGENCY

| | |
|--|--------------------------------------|
| TITAN MODULAR SYSTEMS, INC. | |
| 162 INDUSTRIAL DRIVE * ALMA, GA 31510 912-632-3344 (PH) * 912-632-3345 (FX) | |
| DATE: 12-28-20 | ENGINEERS: JAMES ALLEN CHAPMAN, P.E. |
| SCALE: N-T-S | AMERICUS, GA 31719 |
| CODES: MD, NC, VA | |
| TMS-5885 A-G - 84'x60' - BUSINESS | |
| CROSS SECTION | PAGE: 8 / 8 |

PROFESSIONAL CERTIFICATION. I HEREBY CERTIFY THAT THESE DOCUMENTS WERE PREPARED OR APPROVED BY ME, AND THAT I AM A DULY LICENSED PROFESSIONAL ENGINEER UNDER THE LAWS OF THE STATE OF MARYLAND, LICENSE NO. 50207. EXPIRATION DATE: 11-30-2022