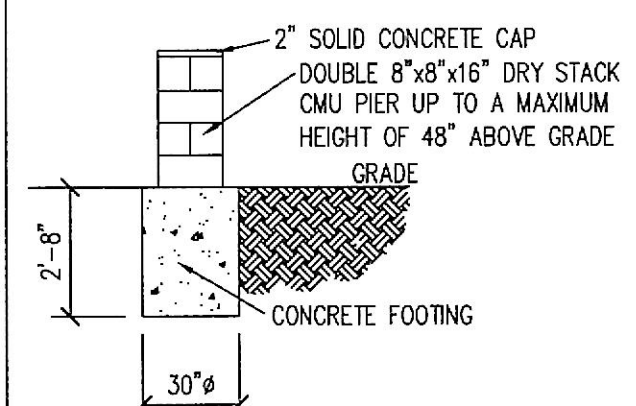
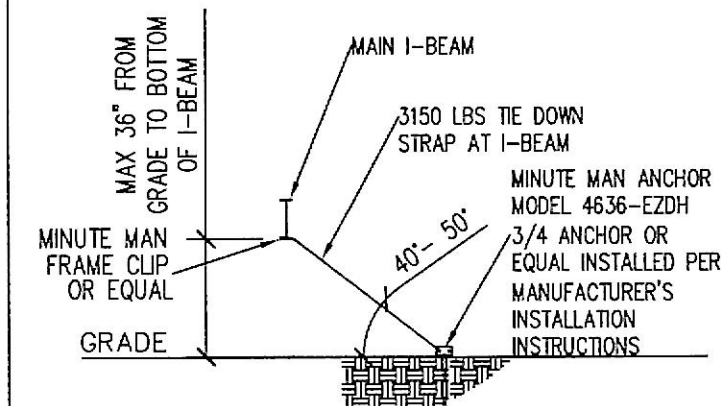


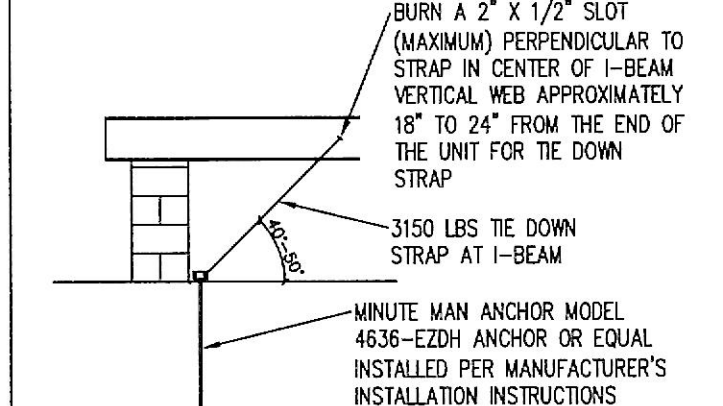
**PIER / FOOTING DETAIL "A"**  
N.T.S.



**PIER / FOOTING DETAIL "B"**  
N.T.S.



**TIE-DOWN DETAIL**  
N.T.S.



**TIE-DOWN DETAIL AT MAIN I-BEAM**  
N.T.S.

**FOUNDATION LEGEND**

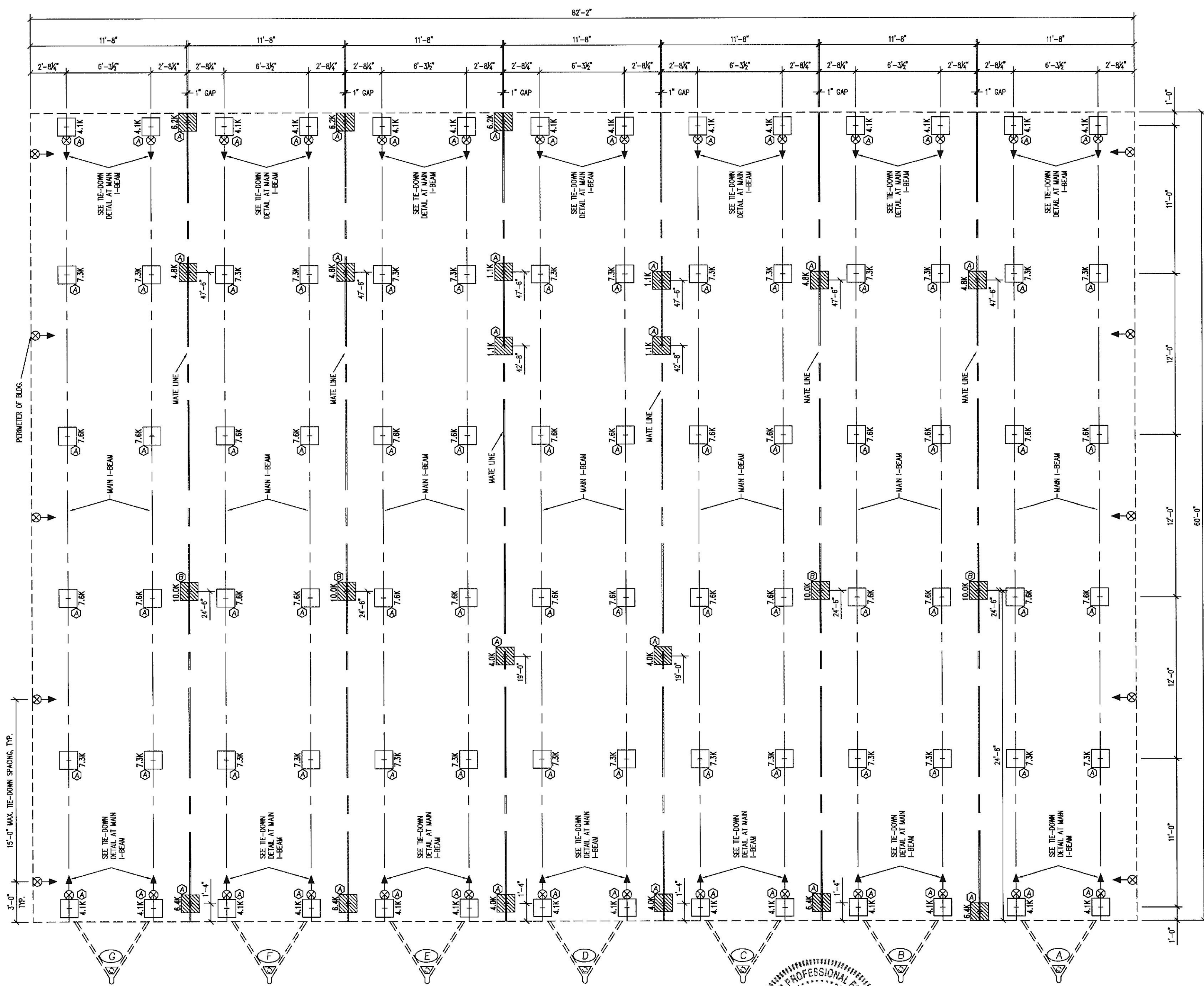
- + INDICATES BLOCKING TO BOTTOM OF MAIN I-BEAM
- ▨ INDICATES BLOCKING TO BOTTOM RIM JOIST OR COLUMN LOCATIONS
- ⊗ INDICATES MINUTE-MAN OR EQUAL FRAME TIE-DOWN LOCATION AND DIRECTION

**DESIGN LOADS**

- FLOOR LIVE LOAD = 50 PSF
- FLOOR DEAD LOAD = 12 PSF
- GROUND SNOW LOAD = 30 PSF
- ROOF LIVE LOAD = 21 PSF
- ROOF DEAD LOAD = 15 PSF
- EXTERIOR WALL DEAD LOAD = 65 PLF

**FOUNDATION**

1. FOUNDATION REVIEW AND INSPECTION IS TO BE PERFORMED BY THE LOCAL OFFICIAL HAVING JURISDICTION.
2. CRAWL SPACE TO BE VENTILATED AT 1 SQ. FT. PER EACH 150 SQ. FT. OF CRAWL SPACE AREA TO BE VENTILATED.
3. PROVIDE POSITIVE DRAINAGE UNDER UNIT.
4. PROVIDE MINIMUM CRAWL SPACE ACCESS OF 18" x 24".
5. PIER LOADS ARE SHOWN IN KIPS.
6. 111 MPH ULTIMATE WIND SPEED, CATEGORY II, EXPOSURE C PER THE 2018 INTERNATIONAL BUILDING CODE #/ MD AMENDMENTS
7. UNIT MAY BE SHIMMED AS NECESSARY WITH HARDWOOD SHIMS BETWEEN TOP OF PIER AND MODULAR UNIT FRAME
8. MINIMUM CONCRETE STRENGTH SHALL BE 3,000 PSI AT 28 DAYS
9. 3,000 PSF ASSUMED SOIL BEARING CAPACITY. IF THE SITE CONTAINS QUESTIONABLE SOIL CONDITIONS, SOIL BORINGS MUST BE PERFORMED WITH A COPY OF THE FINAL REPORT FORWARDED TO THE ENGINEER OF RECORD FOR FINAL DESIGN OF FOUNDATIONS PRIOR TO CONSTRUCTION
10. GROUND ANCHORS ARE TO BE CERTIFIED FOR A MINIMUM LOAD CAPACITY OF 4,725 POUNDS. THE ANCHORS SHALL BE LISTED FOR THE APPROPRIATE SOIL CLASSIFICATION ENCOUNTERED AT THE SITE



Professional Certification. I hereby certify these documents were prepared or approved by me, and that I am duly licensed professional engineer under the laws of the State of Maryland, License No. 21201, Expiration Date: 4-26-22

Job# PER210268  
P.E. Robbins, P.E.  
1777 State Route 167  
Victoria IL 61485

**MARYLAND DESIGN CODES**  
2018 INTERNATIONAL BUILDING CODE #/ MD AMENDMENTS

NOTE: THIS FOUNDATION DESIGN IS BASED ON THE WIND SPEED AND GROUND SNOW LOAD FOR THE LOCATION LISTED BELOW:  
SERIAL NUMBERS:  
5885A, 5885B, 5885C, 5885D, 5885E, 5885F & 5885G  
SITE LOCATION:  
950 ELKTON ROAD  
ELKTON, MARYLAND 21921

JOB NO:	2021-012
DATE:	1/28/21
SCALE:	3/16"=1'-0"
DRAWING NO:	1 OF 1
US MODULAR GROUP EAST, INC. 3102 MORNINGSIDES COURT, BALDWIN, MD 21013	
DRAWN BY:	R.M.
REV:	
TITLE:	FOUNDATION PLAN
MODEL:	8464 O/A OFFICE