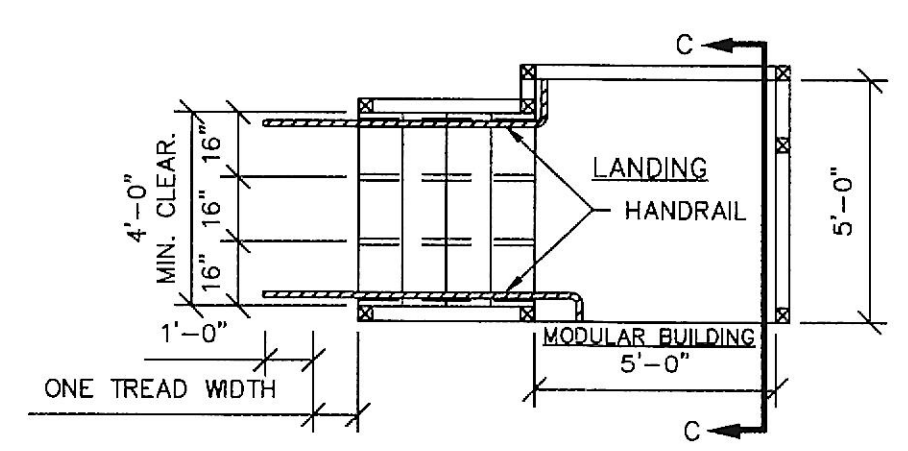


RAMP PLAN

MAY BE CONSTRUCTED AS A MIRROR OR REVERSE IMAGE

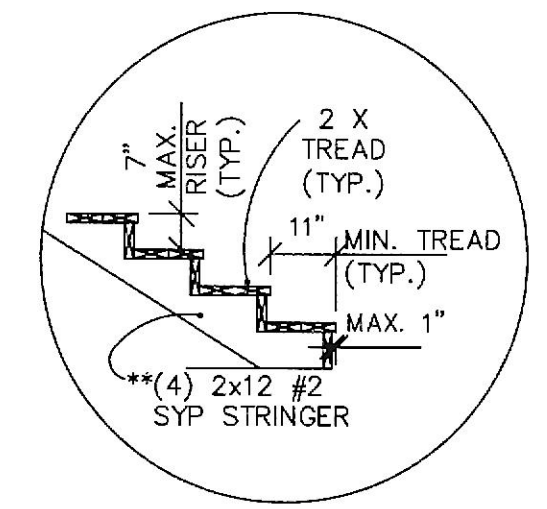


STAIR / LANDING PLAN

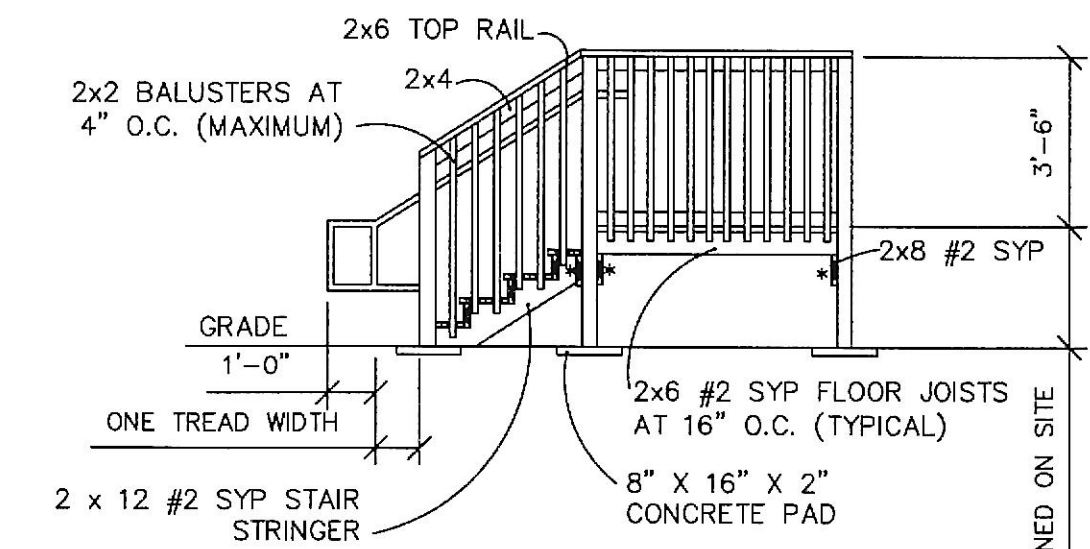
MAY BE CONSTRUCTED AS A MIRROR OR REVERSE IMAGE

DESIGN CODES:
2018 INTERNATIONAL BUILDING CODE
WITH MARYLAND AMENDMENTS

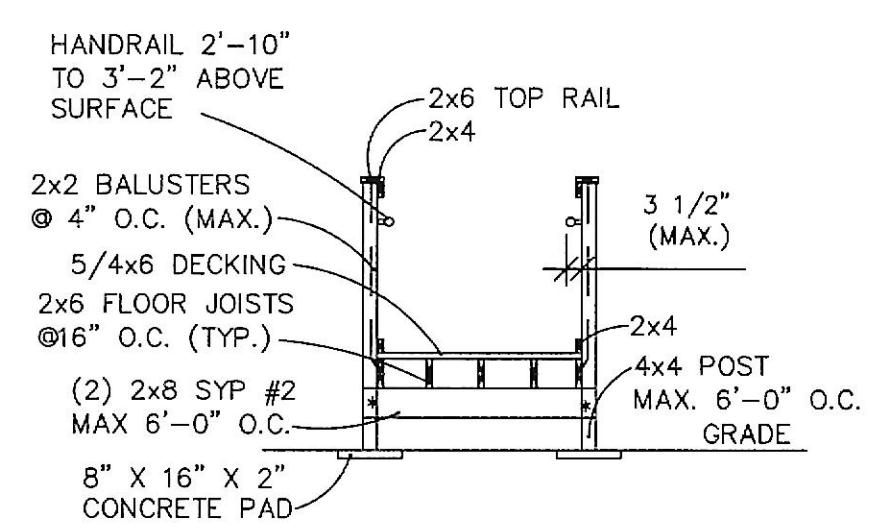
DESIGN LOADS:
DECKS: 100 PSF
RAMPS: 100 PSF
STEPS: 100 PSF



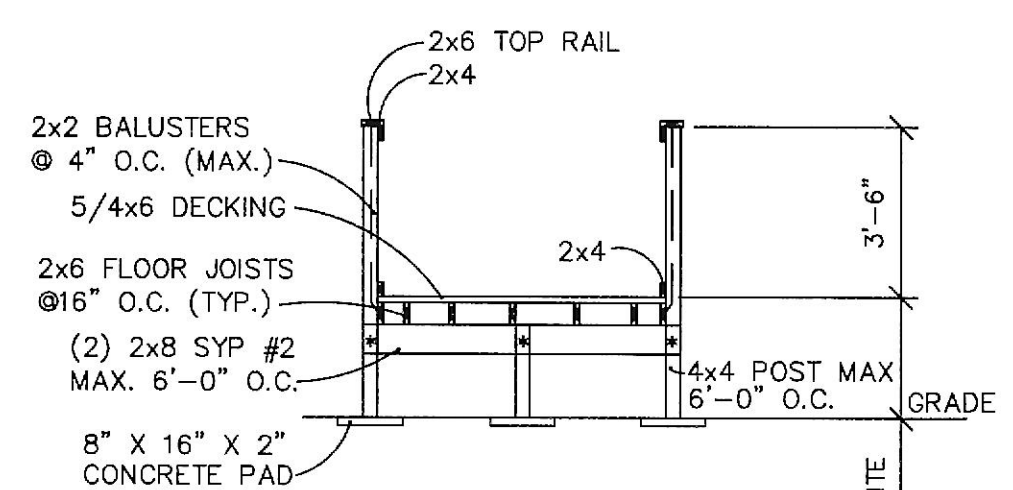
**SECURE OUTSIDE STRINGERS TO THE LEDGER WITH (1) ANGLE BRACKET (SIMPSON L90 OR EQUAL) AND SECURE CENTER STRINGER TO THE LEDGER WITH (2) ANGLE BRACKETS (SIMPSON L90 OR EQUAL)



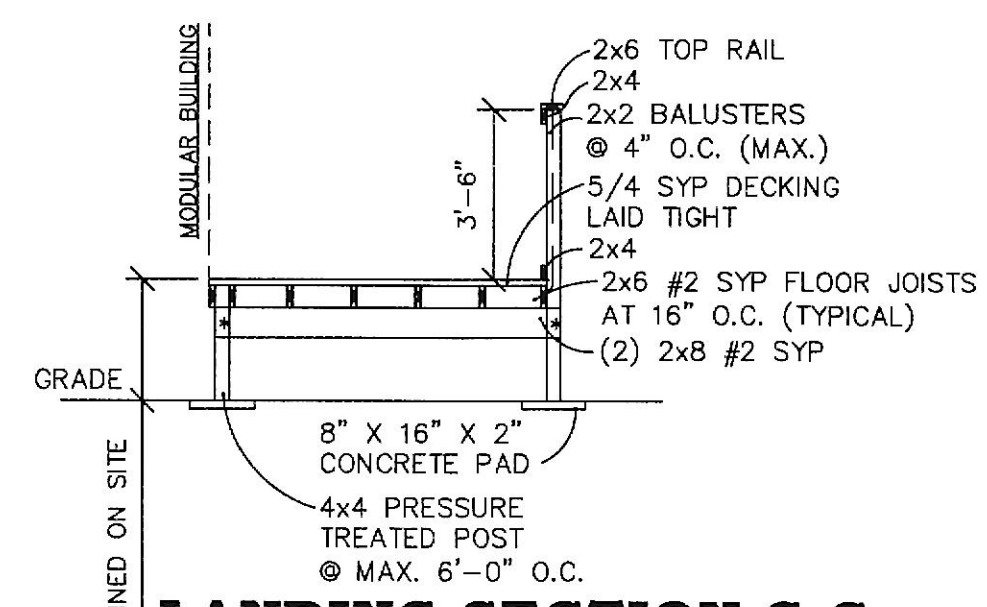
STAIR / LANDING ELEVATION



RAMP SECTION A-A



LANDING SECTION B-B



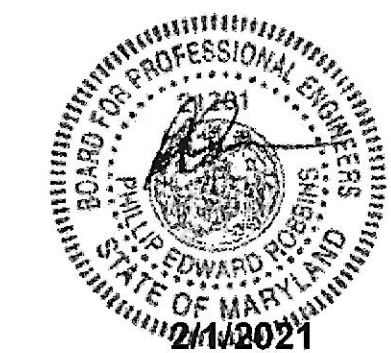
LANDING SECTION C-C

- NOTES:**
- ALL TREATED LUMBER AND GALVANIZED FASTENERS
 - NON-SLIP ABRASIVE SURFACE ON ALL TREADS AND RAMP BOARDS.
 - 30" MAX. RISE FOR RAMPS. LANDING IS REQUIRED FOR ANY RAMP THAT HAS A TOTAL RISE OF 30" OR MORE.

* SECURE 2 X 8 LEDGERS TO 4 X 4 POSTS WITH (2) 1/2" DIAMETER THRU BOLTS AT EACH LOCATION

- ☒ INDICATES 4 X 4 POST LOCATIONS TO UNDERSIDE OF TOP RAIL
- ☒ INDICATES 4 X 4 POST LOCATIONS TO UNDERSIDE OF DECKING

Professional Certification. I hereby certify these documents were prepared or approved by me, and that I am duly licensed professional engineer under the laws of the State of Maryland, License No. 21201, Expiration Date: 4-26-22



Job# PER210269
P.E. Robbins, P.E.
1777 State Route 167
Victoria IL 61485

SERIAL NUMBERS:
5885 A-G, 5886 A-G

SITE LOCATION:
950 ELKTON ROAD
ELKTON, MARYLAND 21921

JOB NO:	2021-013
DATE:	2/1/2021
SCALE:	1/4" = 1'-0"
US MODULAR GROUP EAST, INC.	
3102 MORNINGSIDE COURT, BALDWIN, MD 21013	
DRAWN BY:	R.M.
REV:	
TITLE:	DECK / RAMP / STEP PLAN
MODEL:	8464 O/A OFFICE