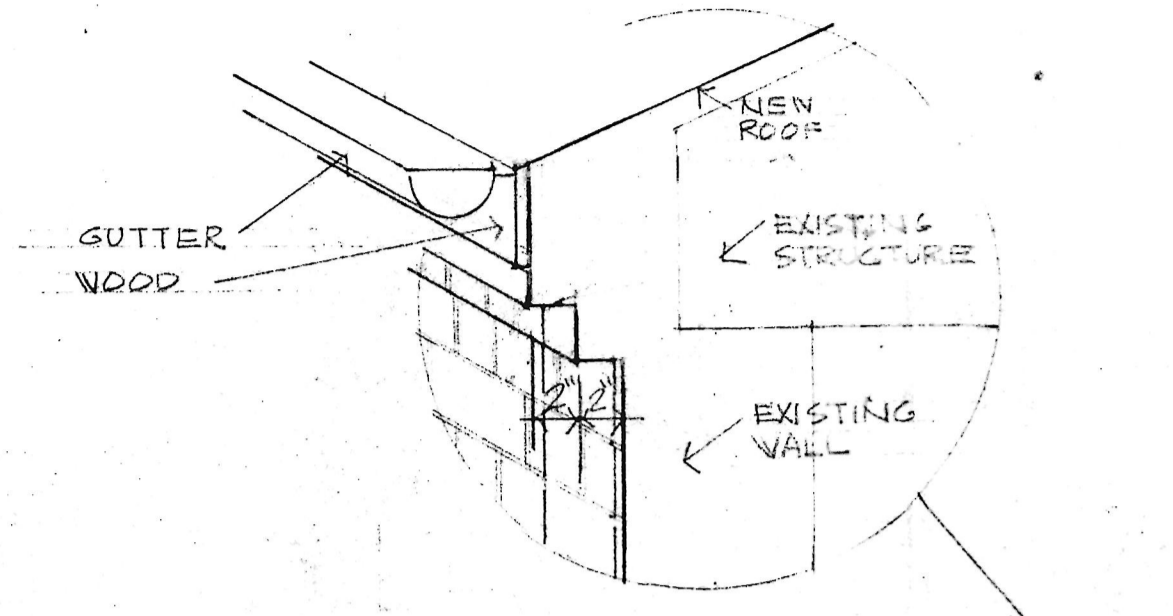
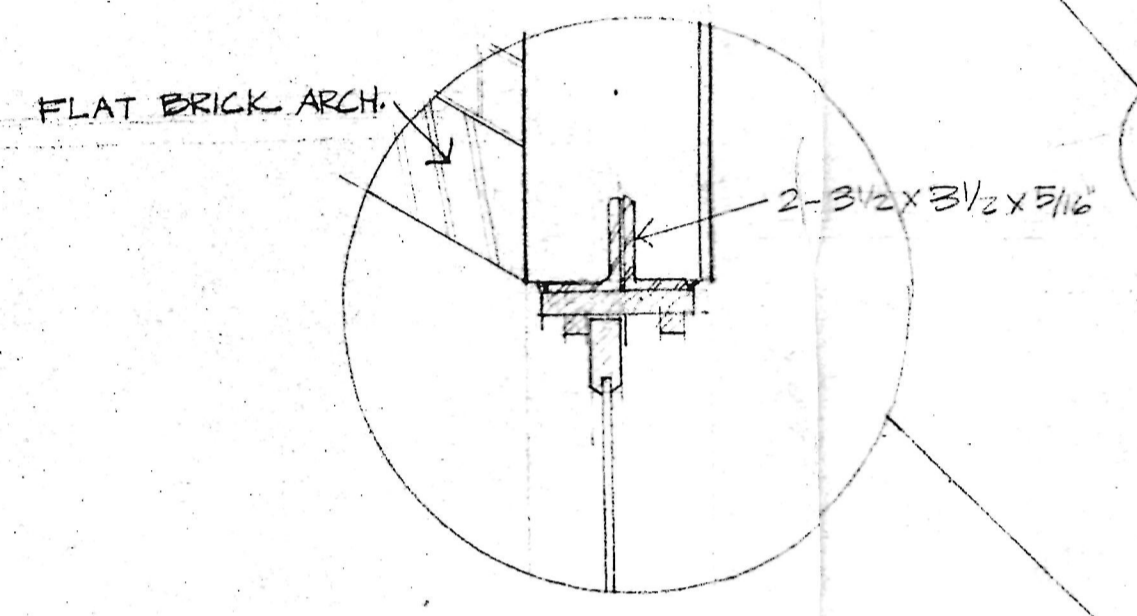


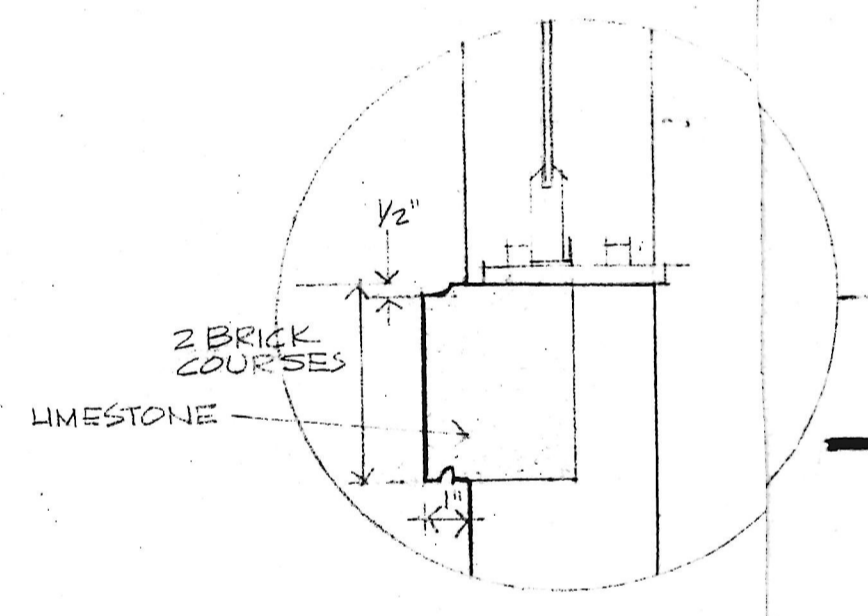
SECTION 1  
SCALE: 1/4" = 1'-0"



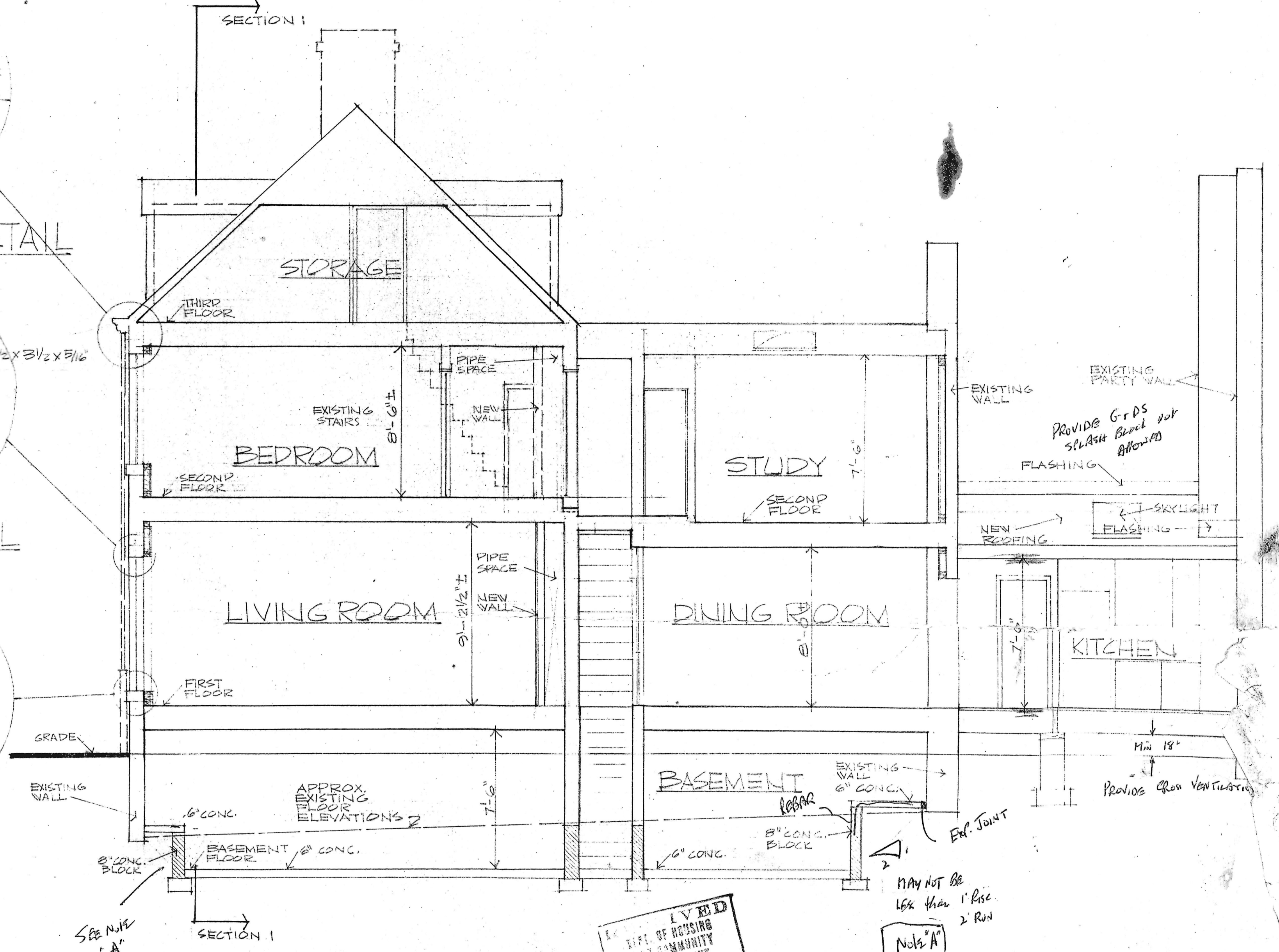
CORNICE DETAIL



LINTEL DETAIL



SILL DETAIL



SECTION 2  
SCALE: 1/4" = 1'-0"

RECEIVED  
OFFICE OF HOUSING  
AND COMMUNITY  
DEVELOPMENT  
MAY 5 1979  
No. 7

APPROVED  
DIRECTOR - CODE ACTION  
AND STATE INSPECTION  
DATE  
J.P. Peters 3/9/79

1802 THAMES STREET  
BALTIMORE, MARYLAND

MR. AND MRS. KEOGH  
RESIDENCE

JAN J KECZMERSKI, AIP  
ARCHITECT 3006 A  
601 CAMELBACK LANE  
COLUMBIA, MARYLAND 21045  
39-4804