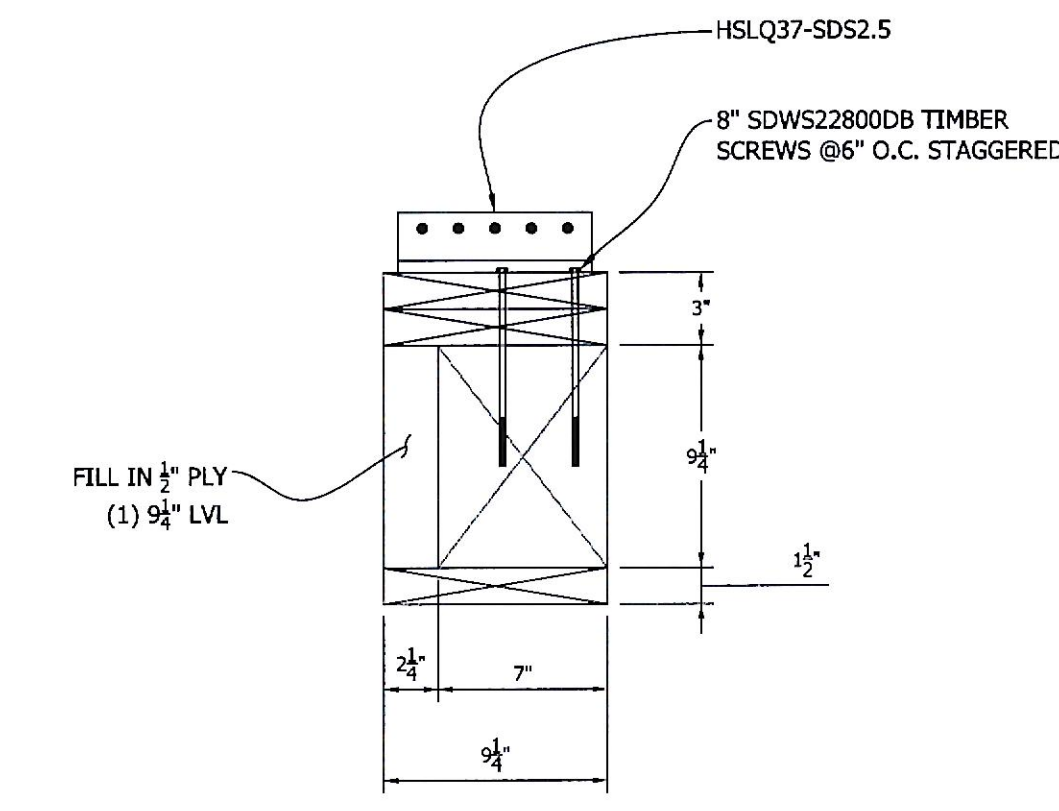
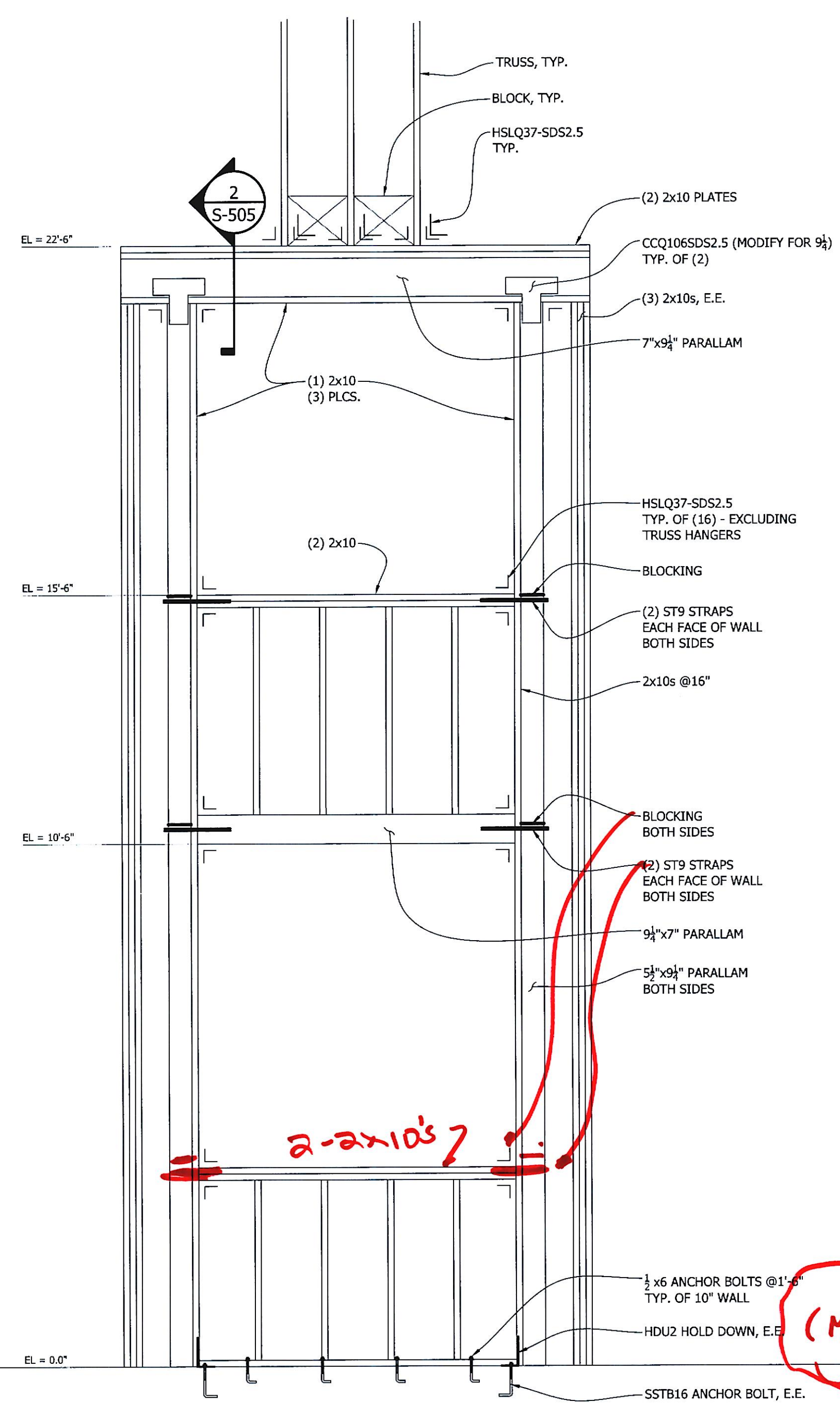


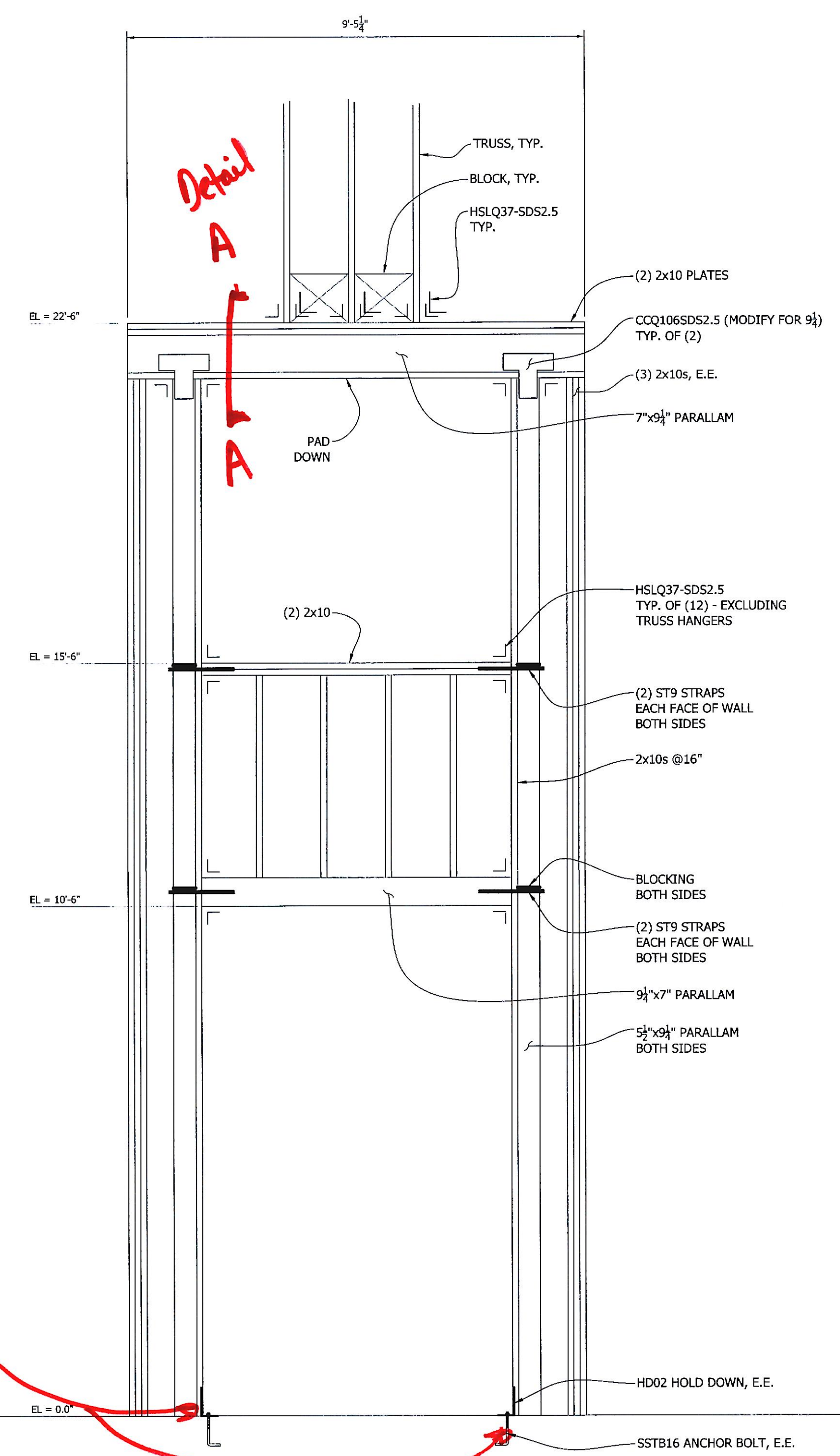
1 GREAT ROOM REAR WALL DETAIL
SCALE: 1/2"=1'-0"



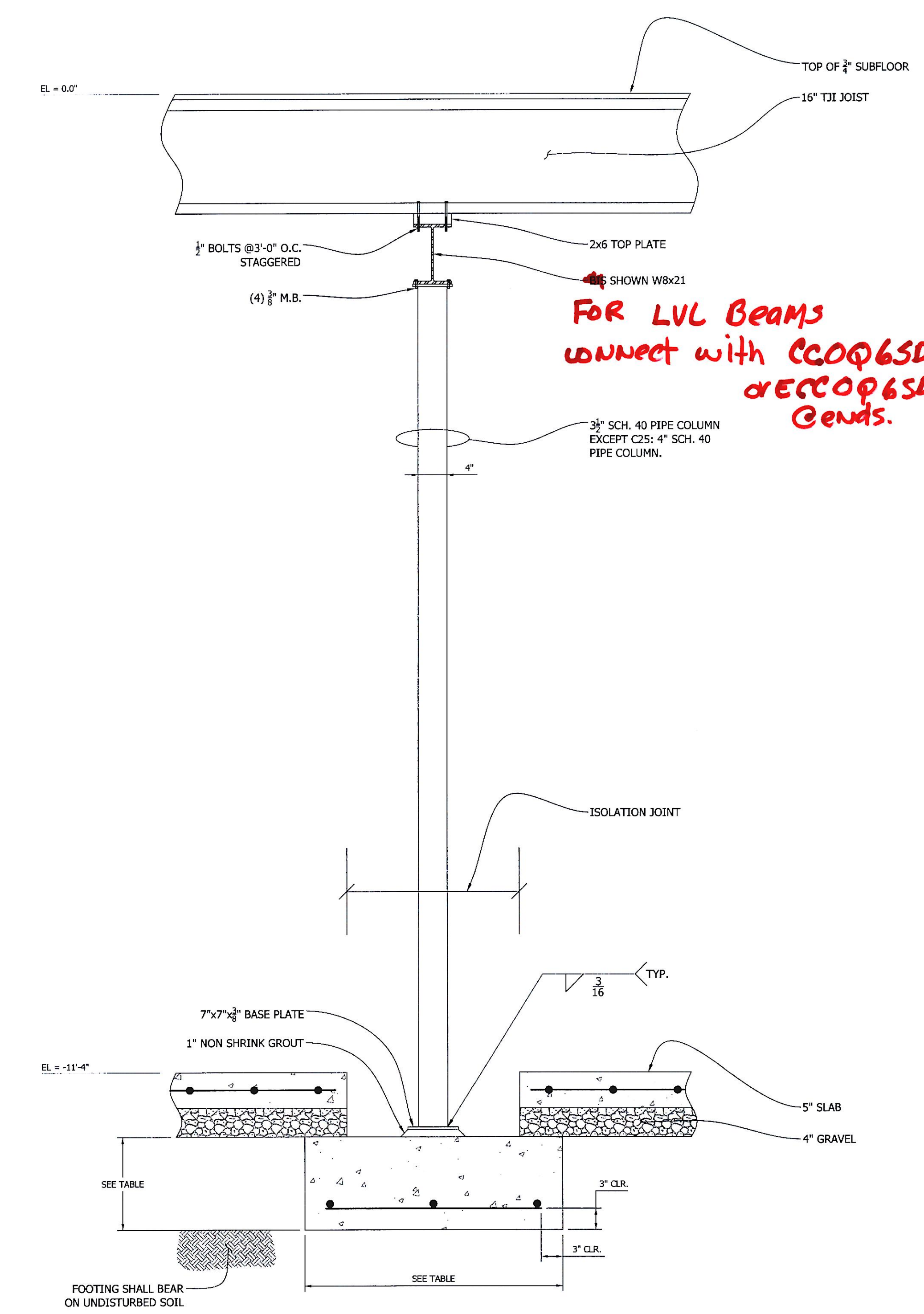
2 GREAT ROOM REAR WALL DETAIL A
SCALE: 1-1/2"=1'-0"



3 GREAT ROOM REAR WALL DETAIL
SCALE: 1/2"=1'-0"



4 GREAT ROOM REAR WALL DETAIL
SCALE: 1/2"=1'-0"



5 TYPICAL WALL & COLUMN SECTION
SCALE: 1"=1'-0"

CONTRACTOR SHALL VERIFY ALL DIMENSIONS AND CONDITIONS AND BRING ANY DISCREPANCY TO THE ATTENTION OF FORBES DESIGN CENTER. ALL RIGHTS RESERVED. THE WORK CONTAINED IN THIS DOCUMENT IS THE EXCLUSIVE PROPERTY OF FORBES DESIGN CENTER. NO PART OF THIS DOCUMENT IS TO BE REPRODUCED OR TRANSMITTED IN ANY FORM OR BY ANY MEANS, ELECTRONIC OR MECHANICAL, WITHOUT THE WRITTEN PERMISSION OF FORBES DESIGN CENTER.

DESIGNED	RRF
DRAWN	KJM
CHECKED	

EXTERIOR WALL SECTION @
FAMILY ROOM
BASEMENT COLUMN SECTION

SHEET TITLE:

Engineering Solutions
13400 Old Columbia Road
Timonium, MD 21093

FORBES
DESIGN CENTER

PROJECT TITLE:
KUPERMAN RESIDENCE
13079 JEROME JAY DRIVE
COCKEYSVILLE, MD 21030
BUILDER:
SCALE:
AS NOTED
START DATE:
12-15-2020

SHEET NUMBER:
S-505