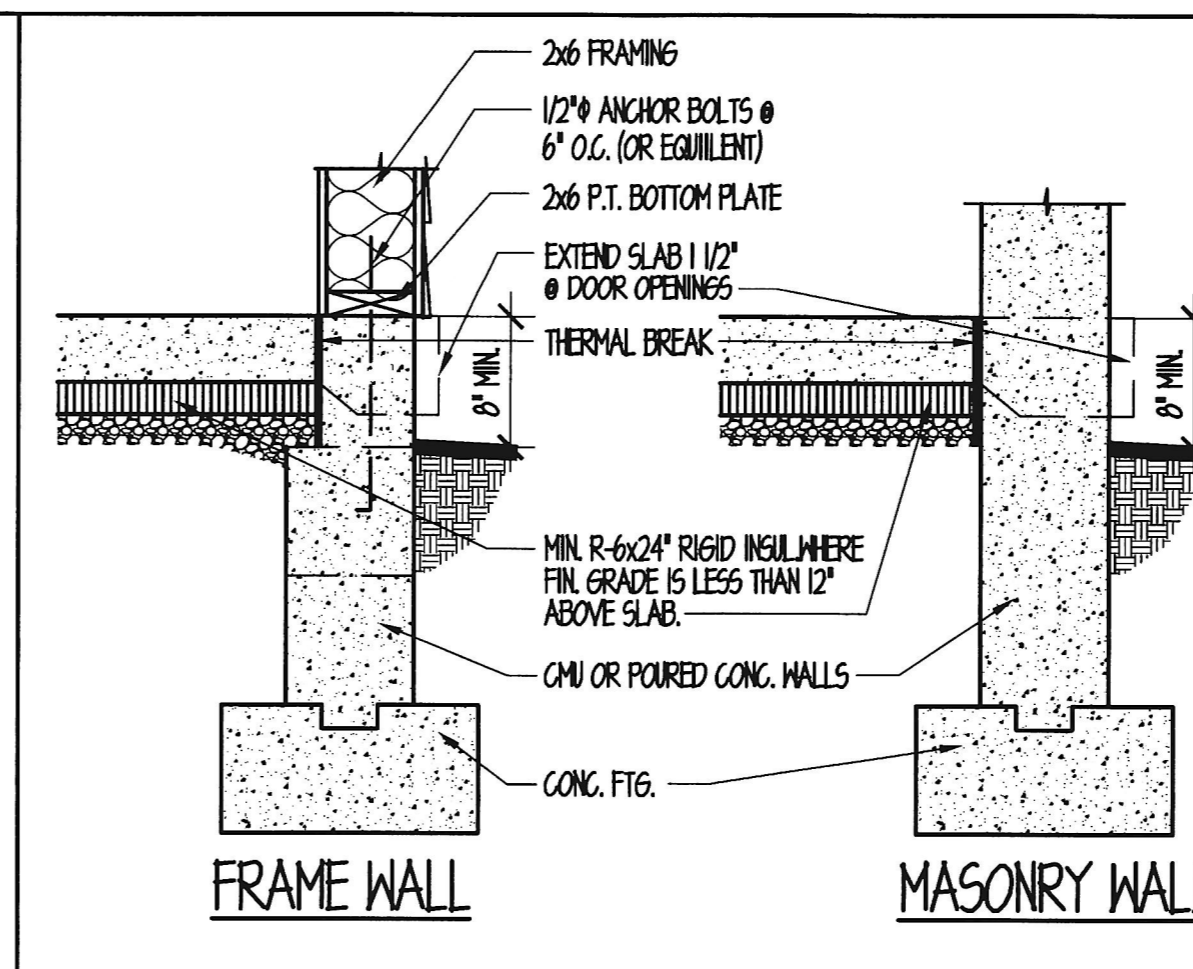
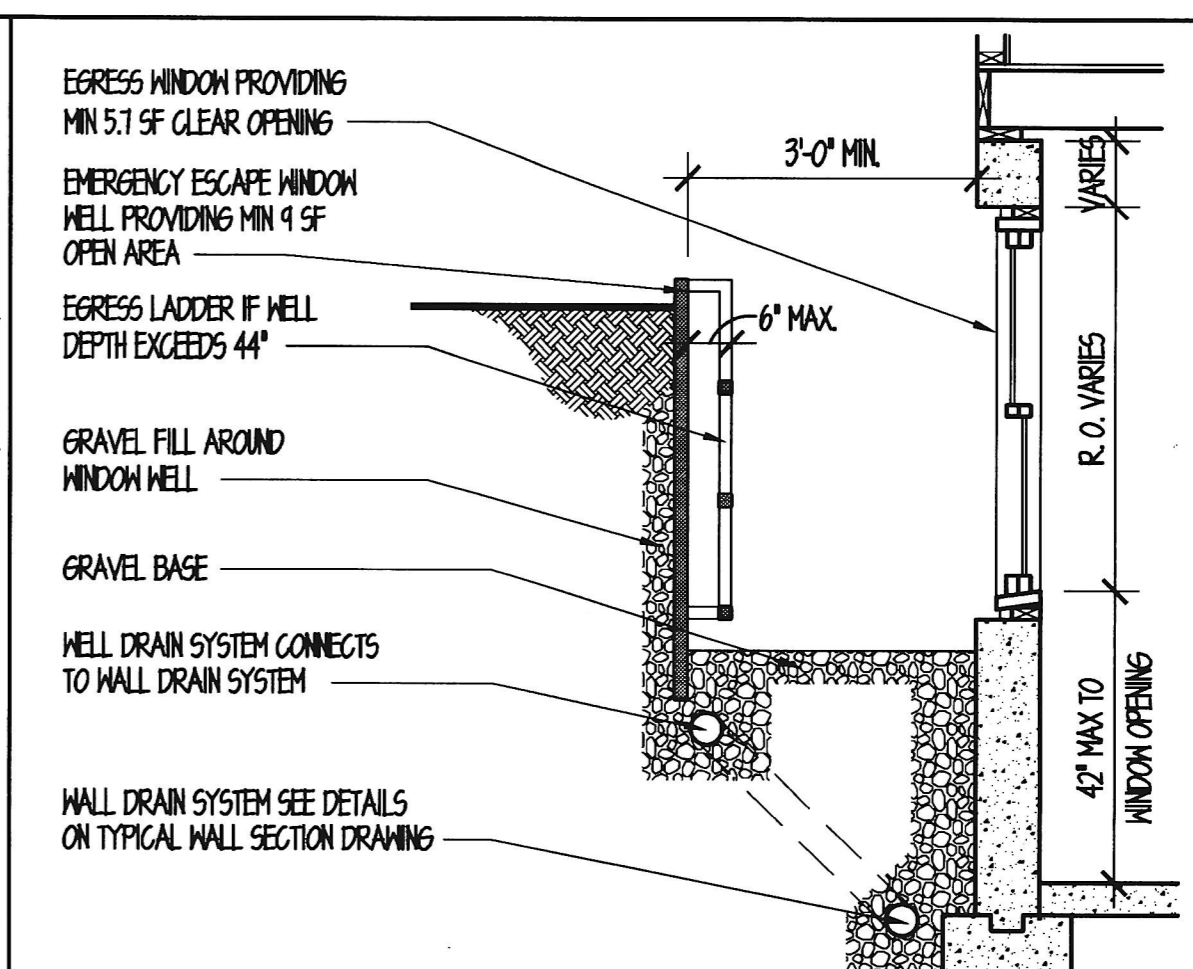


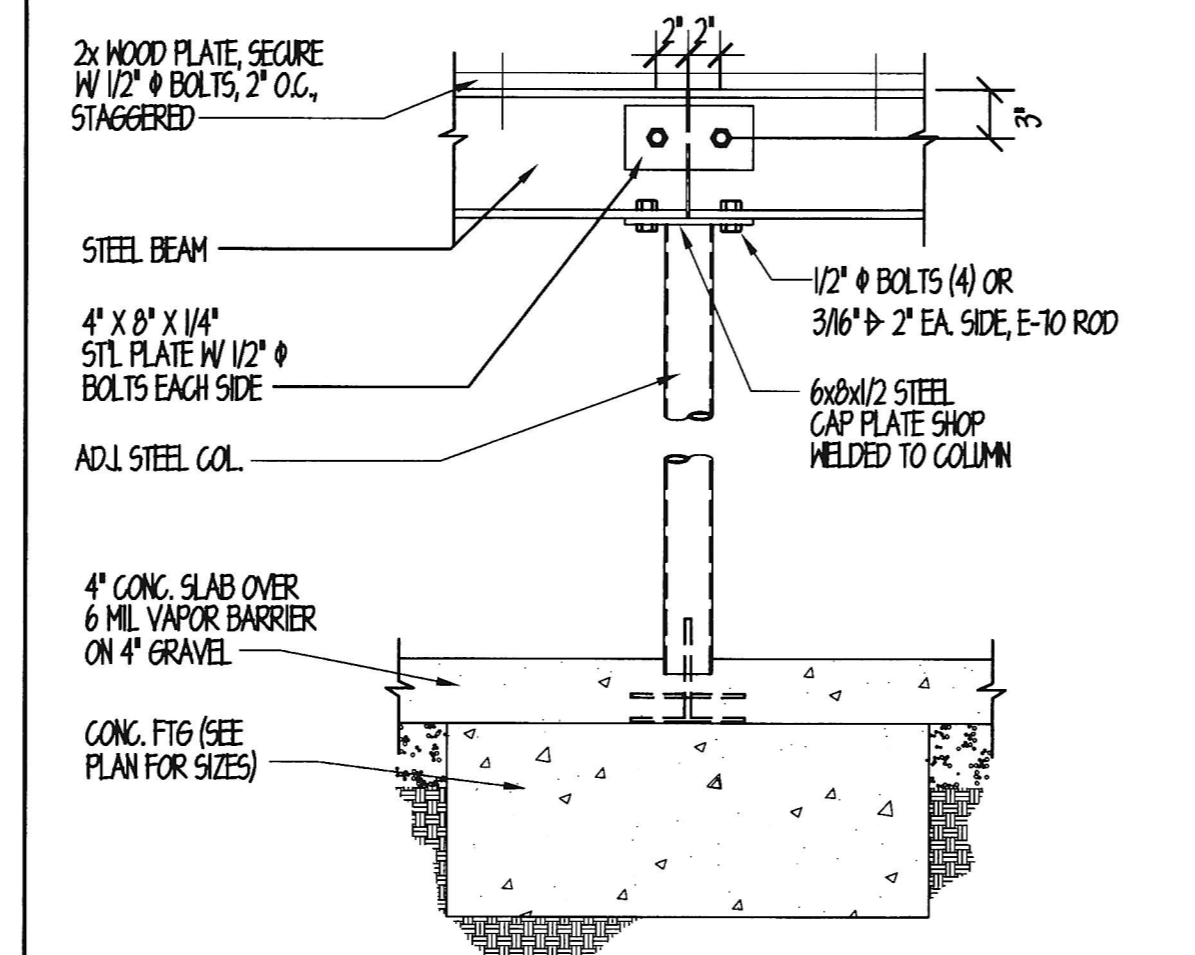
○ STEEL BEAM BEARING AT WALL POCKET 1" = 1'-0"



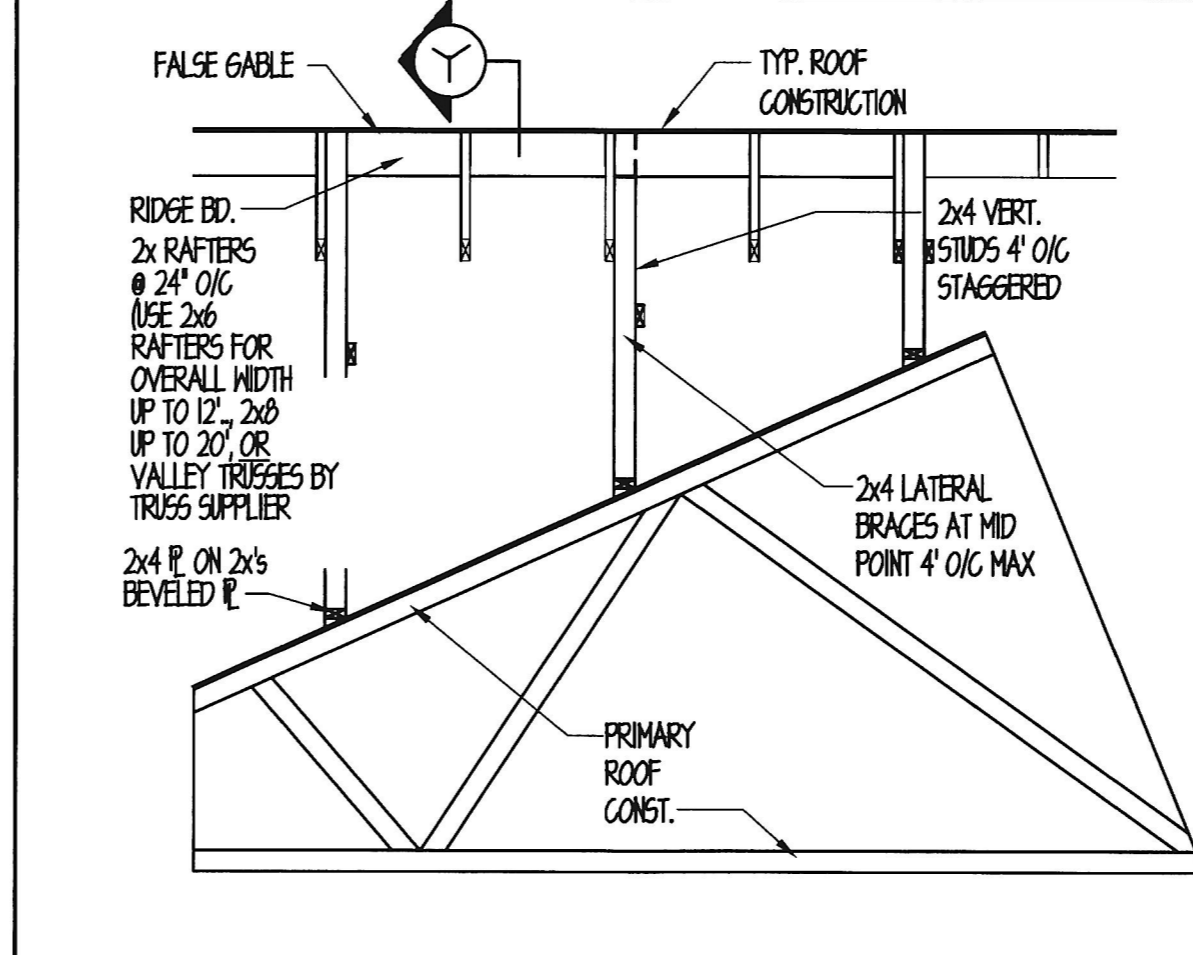
○ DETAIL @ WALKOUT SLAB 1" = 1'-0"



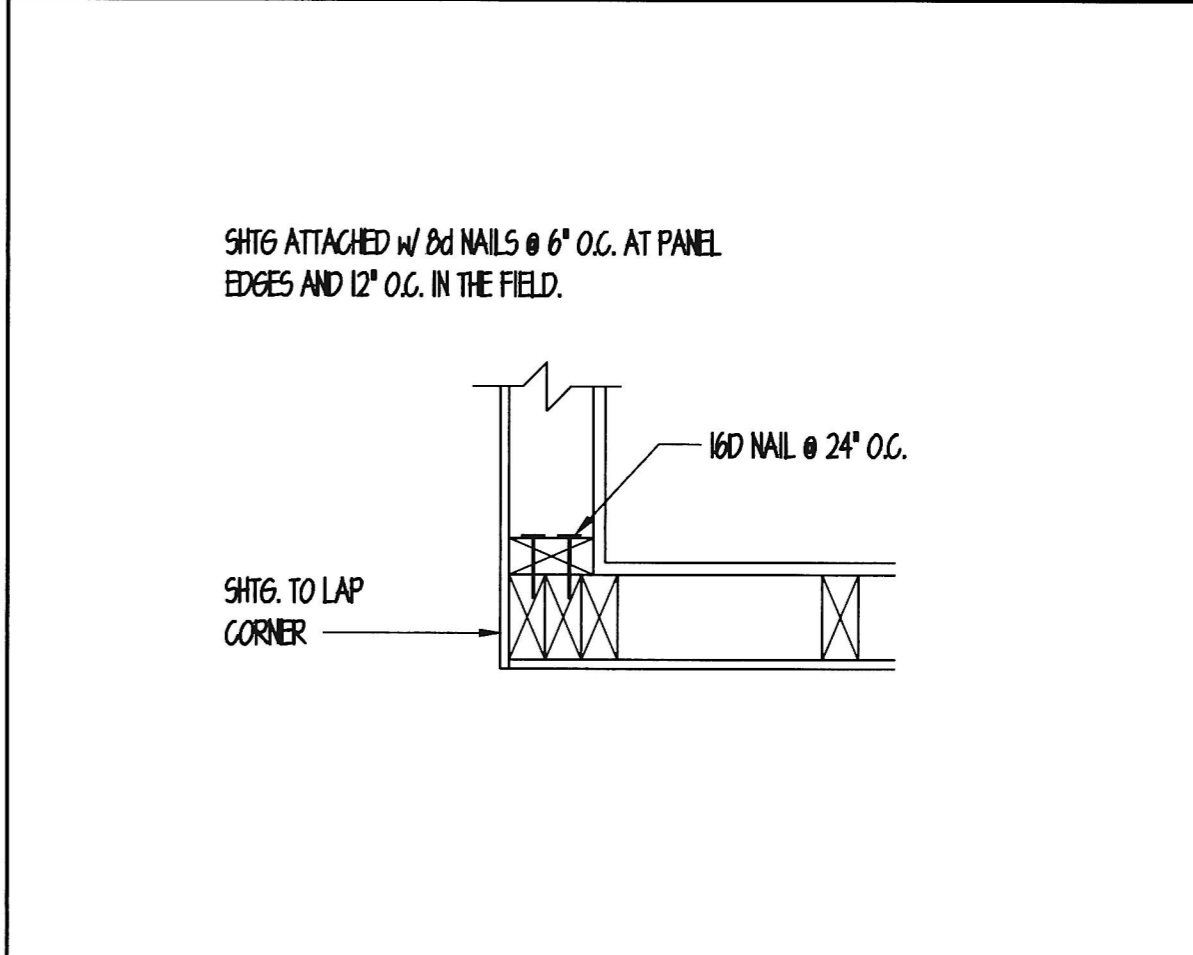
○ BASEMENT EGRESS WINDOW DETAIL 1/2" = 1'-0"



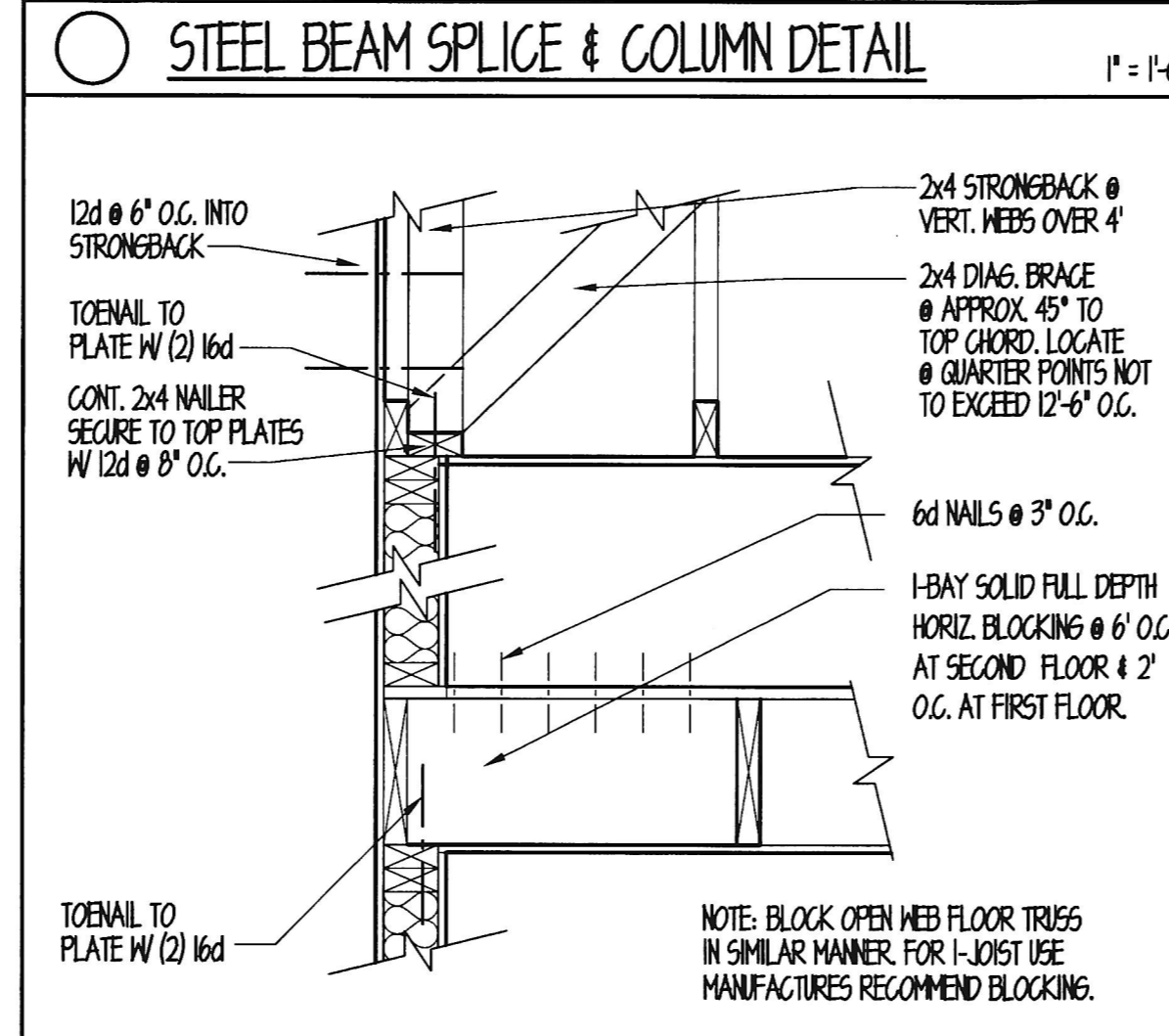
○ STEEL BEAM SPLICE & COLUMN DETAIL 1" = 1'-0"



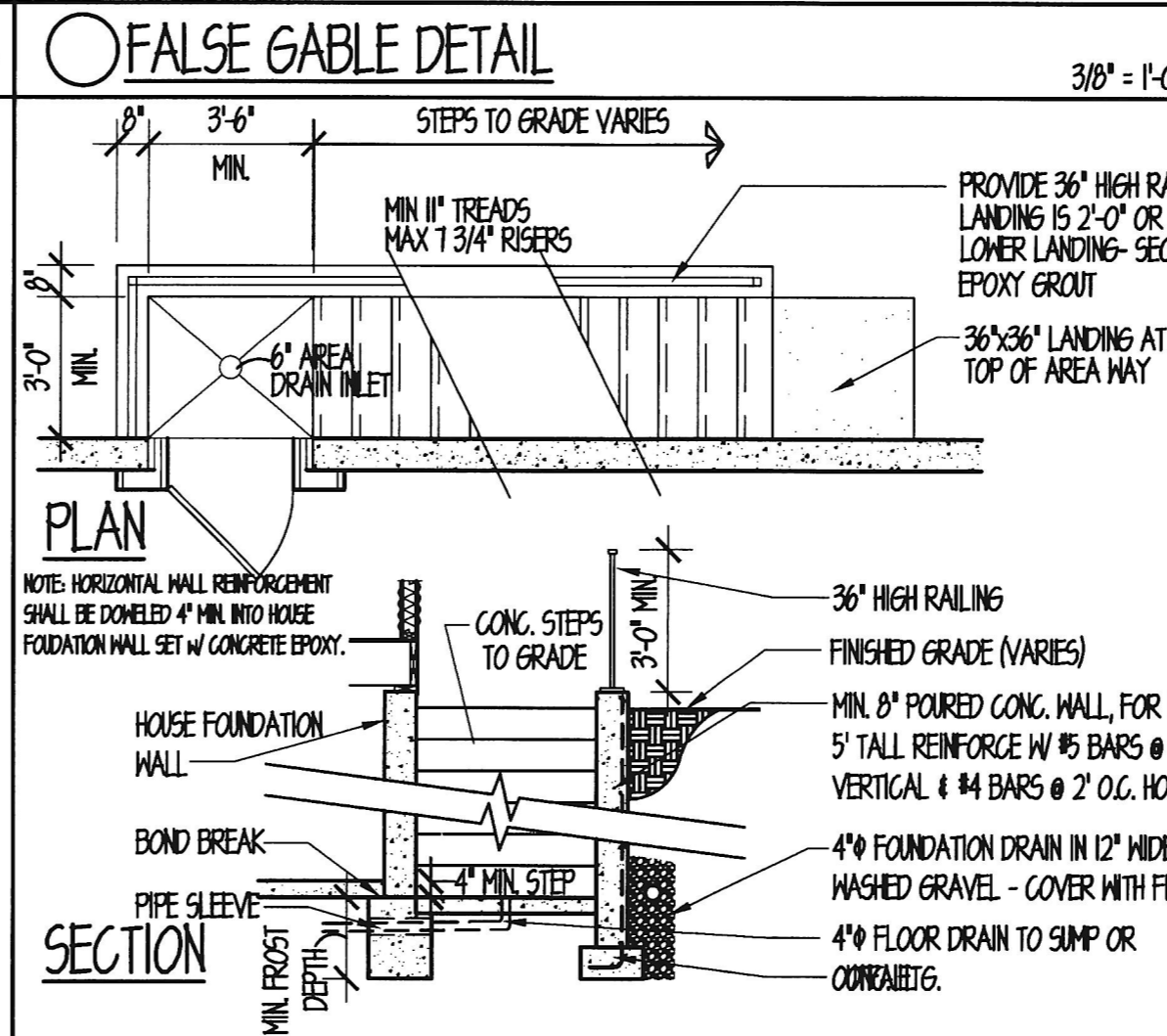
○ FALSE GABLE DETAIL 3/8" = 1'-0"



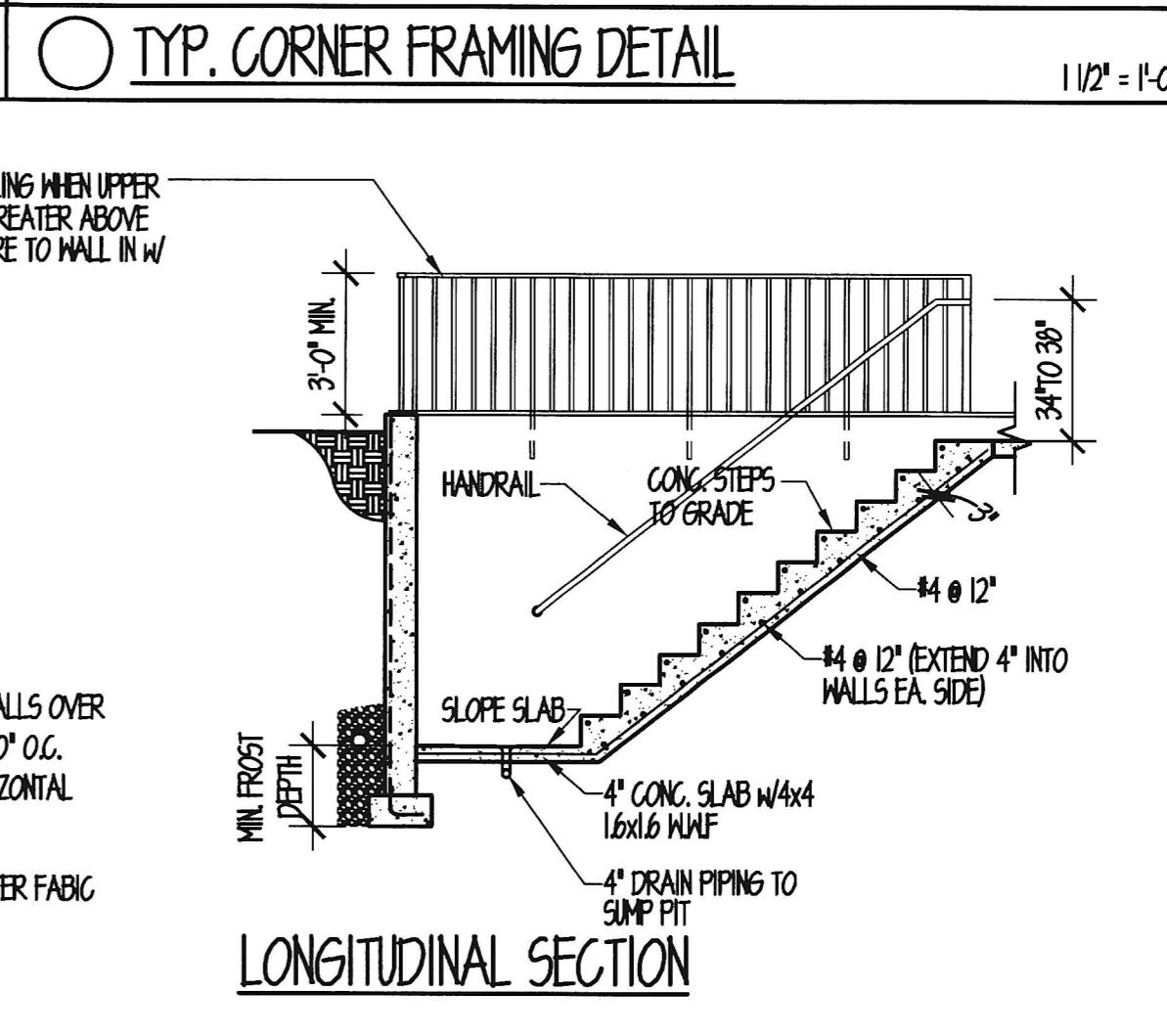
○ TYP. CORNER FRAMING DETAIL 1/2" = 1'-0"



○ GABLE END WALL BLOCKING DETAIL 1" = 1'-0"



○ TYP. AREAWAY DETAILS 1/4" = 1'-0"



○ LONGITUDINAL SECTION 1/4" = 1'-0"

PROFESSIONAL CERTIFICATION: I CERTIFY THAT THESE DOCUMENTS WERE PREPARED OR APPROVED BY ME AND THAT I AM A FULLY LICENSED ARCHITECT UNDER THE LAW OF THE STATE OF MARYLAND, LICENSE # 3367-R, EXPIRATION DATE 10/7/09

dw taylor
associates inc
ARCHITECT

5024 DORSEY HALL DR. SUITE 203 ELLICOTT CITY, MD 21042
P. (410) 864 1181 F. (410) 997 2824 www.dwtaylor.com

CONSTRUCTION DOCS NOV 4, 08

REVISIONS	
date	remarks

drawn by	TRM	checked by	dt
scale	NOTED	date	2-28-08

PROJECT TITLE

MICHAEL HOMES LLC
STEDMAN RESIDENCE

CONTENT

WALL SECTIONS
TYP. CONSTRUCTION DETAILS

PROJECT NUMBER	DRAWING NUMBER
2405	AD-2