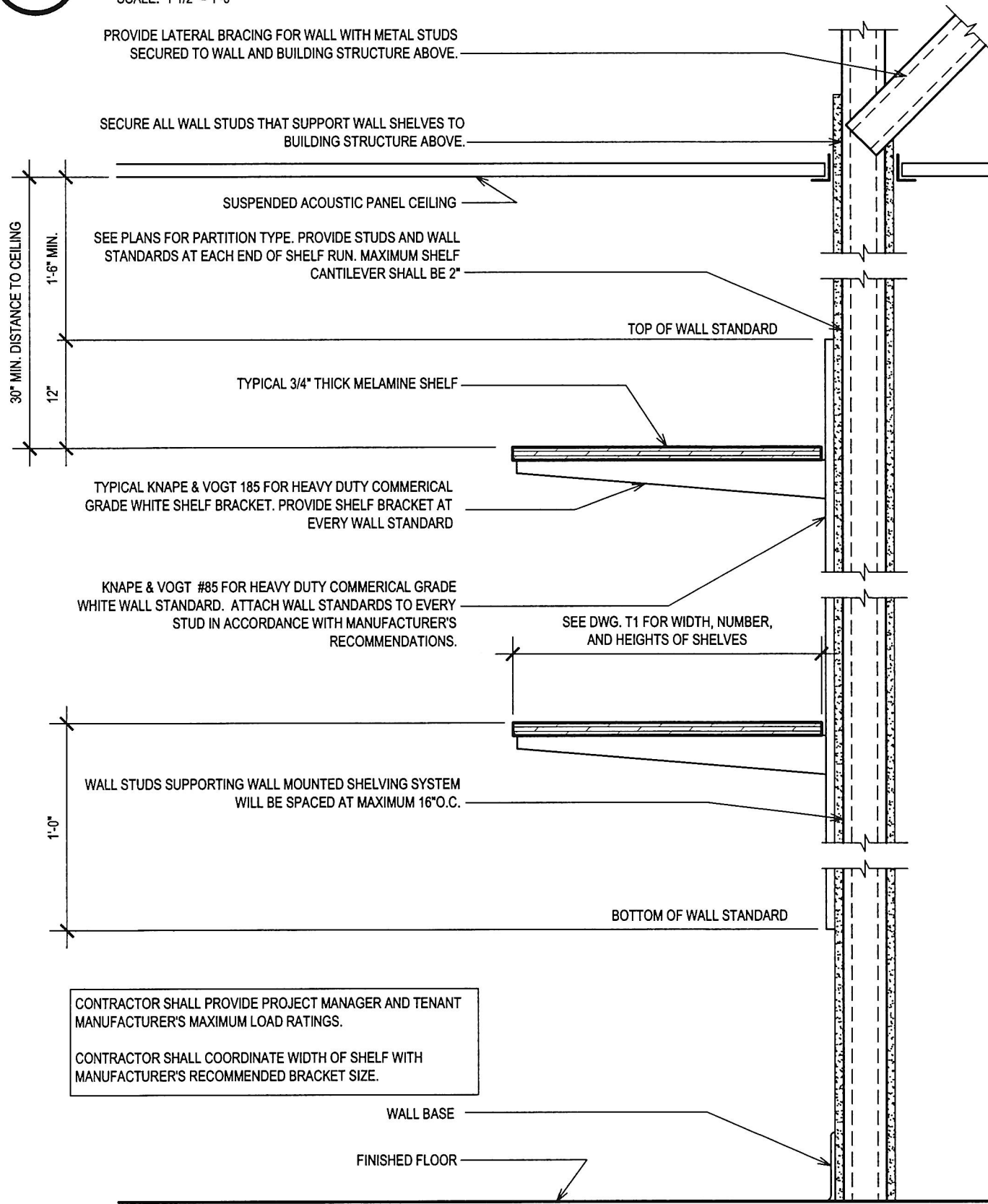


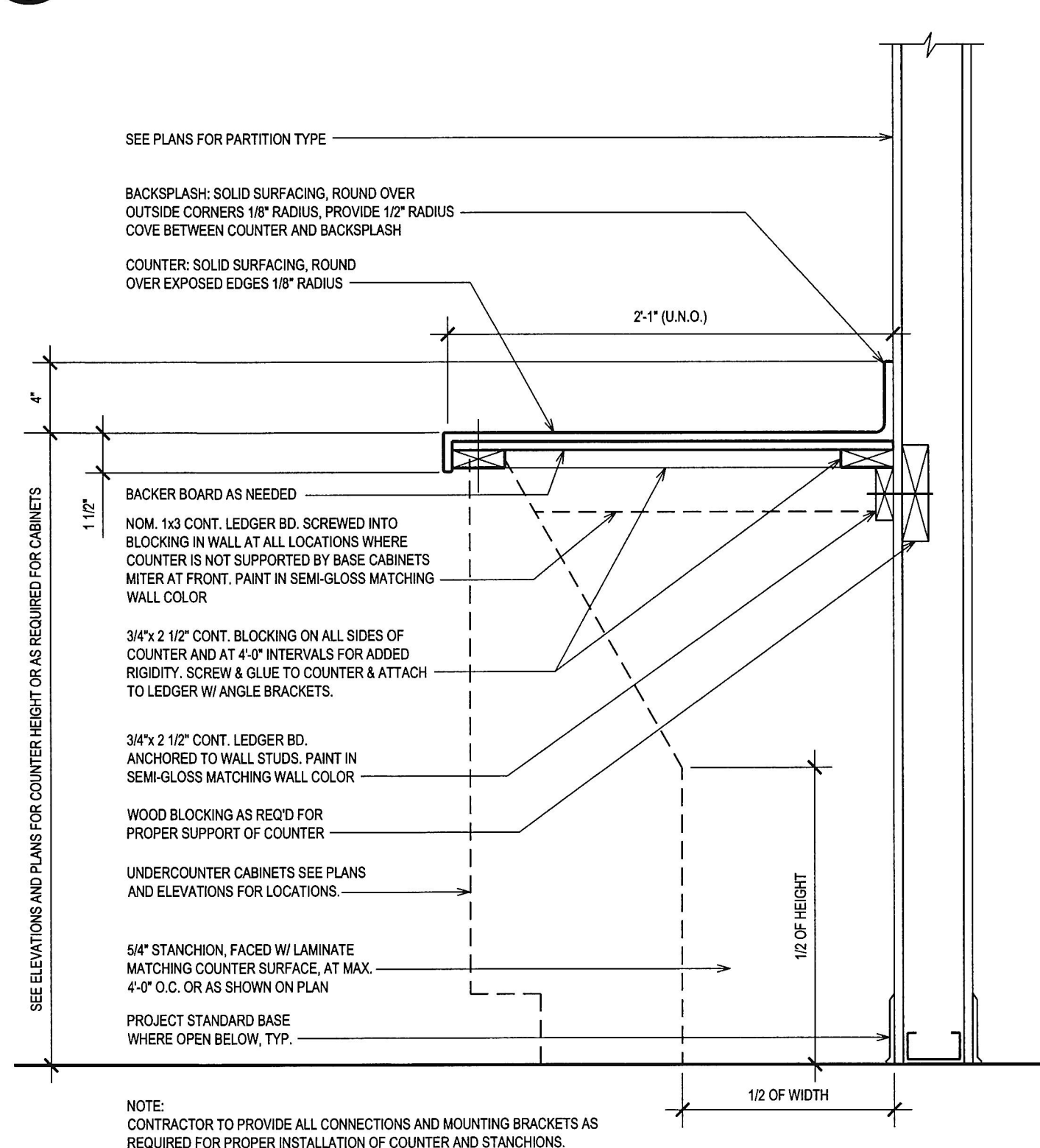
### 3 ADJUSTABLE WALL MOUNTED SHELVES

SCALE: 1/2" = 1'-0"



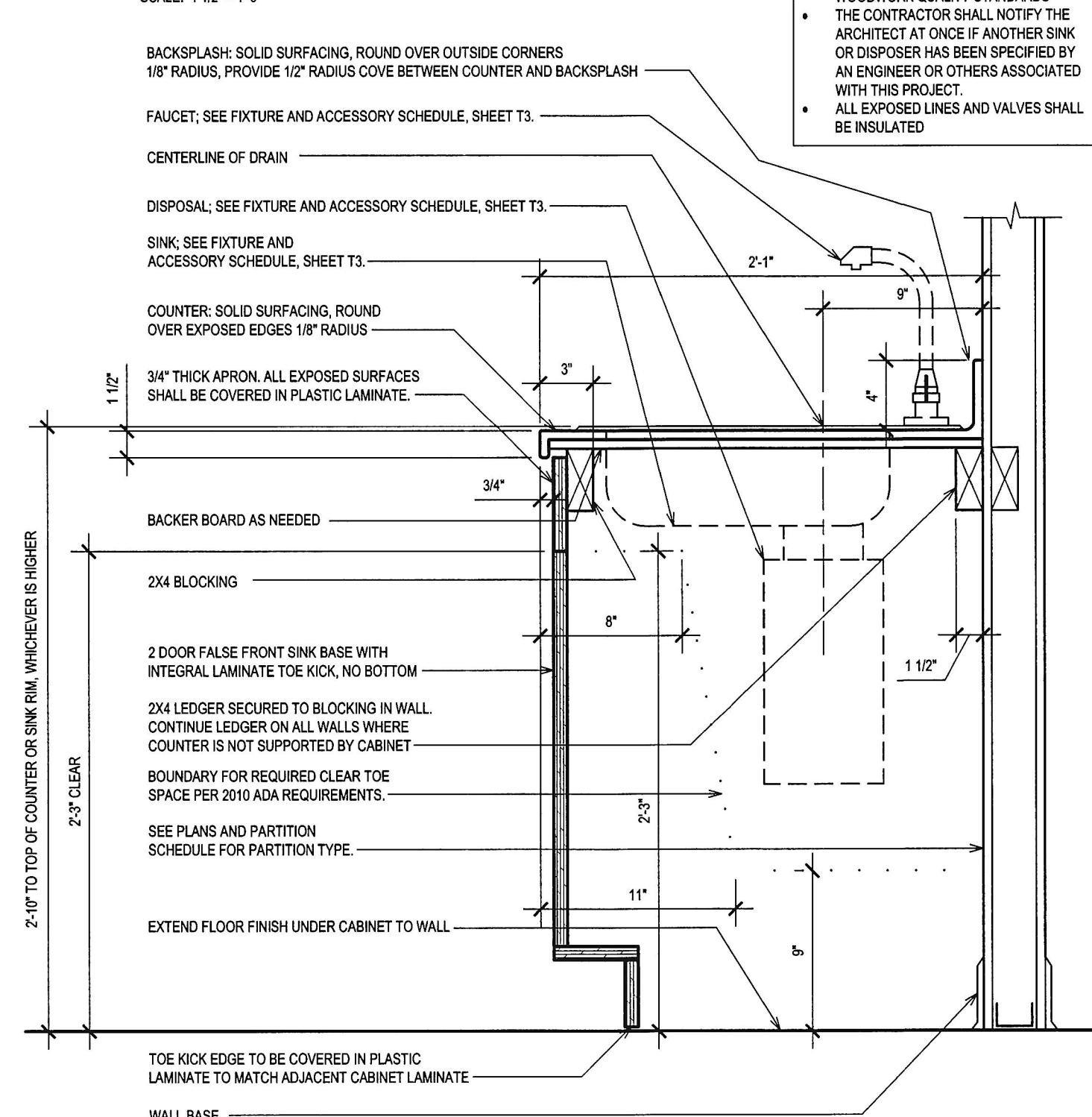
### 2 TYPICAL COUNTER AT CABINET

SCALE: 1/2" = 1'-0"



### 1 SECTION AT ADA HEIGHT SINK WITH DISPOSER

SCALE: 1/2" = 1'-0"



### C BREAK ROOM 113 ELEVATION

SCALE: 1/2" = 1'-0"

NOTES:

EXPOSED DRAIN AND HOT WATER LINE TO BE INSULATED.

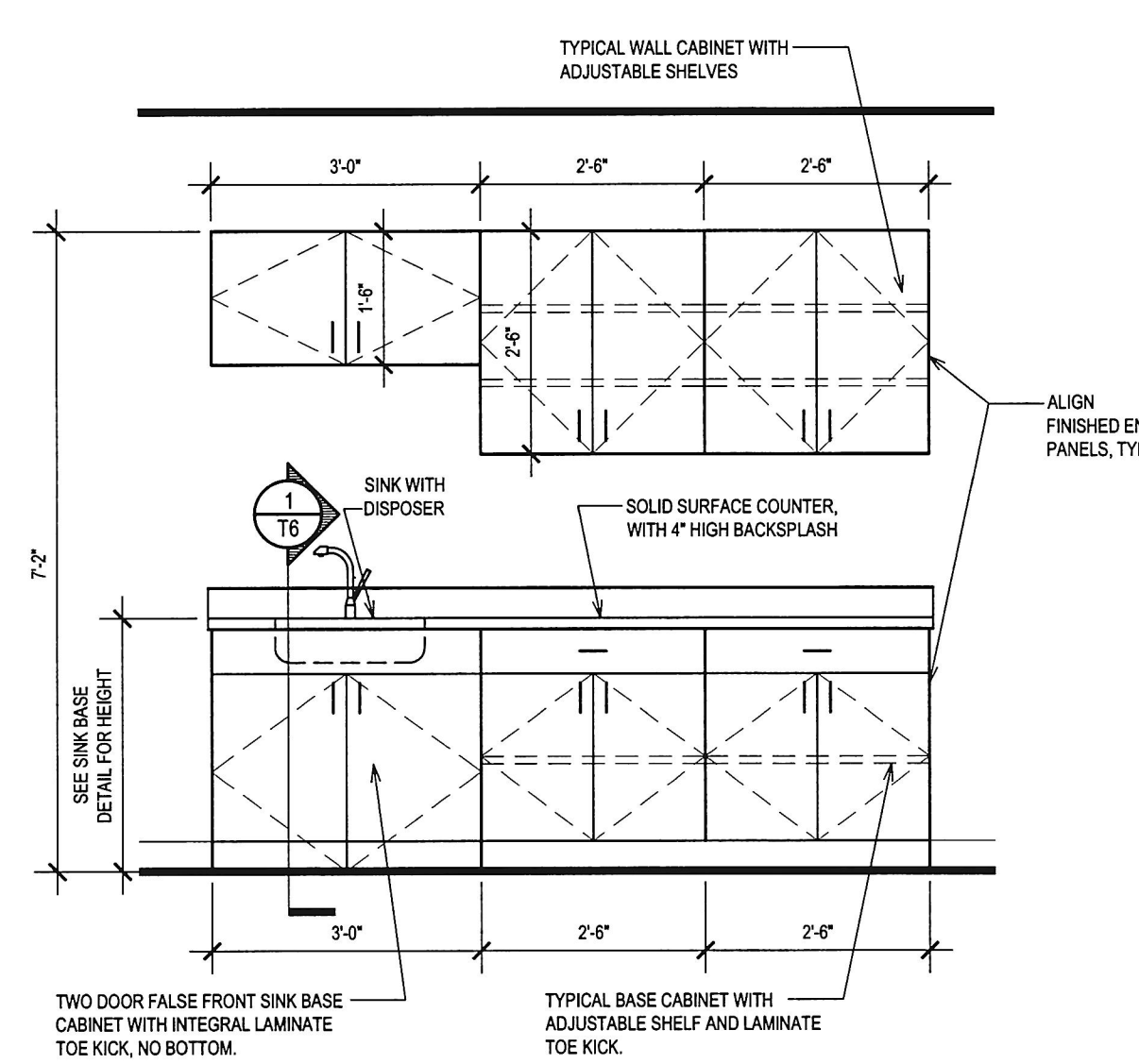
CONTRACTOR TO FIELD VERIFY ALL DIMENSIONS PRIOR TO FABRICATION. NOTIFY ARCHITECT OF ANY DISCREPANCIES.

REFER TO THE STANDARD FINISH AND EQUIPMENT SCHEDULE FOR MANUFACTURER'S, PRODUCTS AND FINISHES.

SEE STANDARD FINISH AND EQUIPMENT SCHEDULE FOR CABINET DOOR AND DRAWER PULLS.

SUBMIT SHOP DRAWINGS AND CUT SHEETS FOR PM TO APPROVE.

FILLER PANELS SHALL MATCH AND BE FLUSH WITH CABINET DOOR FACE.



### B STAFF ROOM 124 ELEVATION

SCALE: 1/2" = 1'-0"

NOTES:

EXPOSED DRAIN AND HOT WATER LINE TO BE INSULATED.

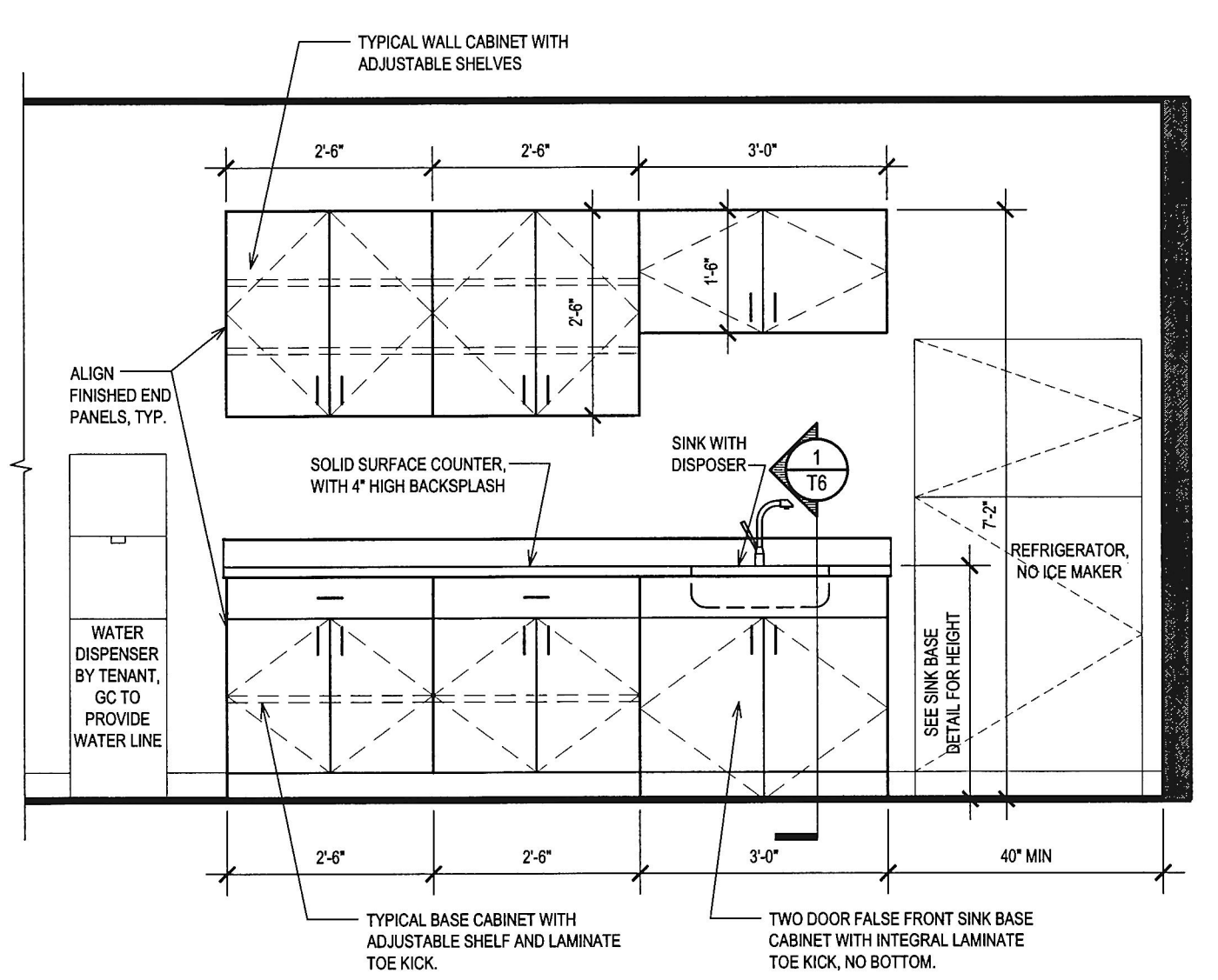
CONTRACTOR TO FIELD VERIFY ALL DIMENSIONS PRIOR TO FABRICATION. NOTIFY ARCHITECT OF ANY DISCREPANCIES.

REFER TO THE STANDARD FINISH AND EQUIPMENT SCHEDULE FOR MANUFACTURER'S, PRODUCTS AND FINISHES.

SEE STANDARD FINISH AND EQUIPMENT SCHEDULE FOR CABINET DOOR AND DRAWER PULLS.

SUBMIT SHOP DRAWINGS AND CUT SHEETS FOR PM TO APPROVE.

FILLER PANELS SHALL MATCH AND BE FLUSH WITH CABINET DOOR FACE.



### A RECEPT. AREA ELEVATION

SCALE: 1/2" = 1'-0"

NOTES:

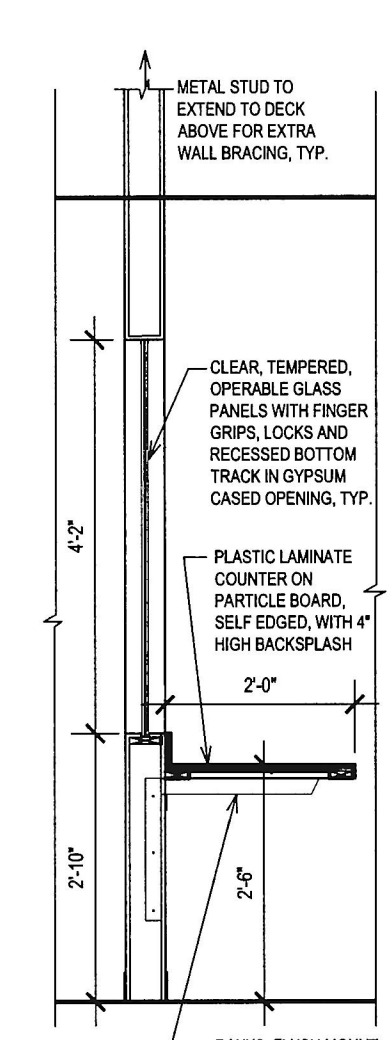
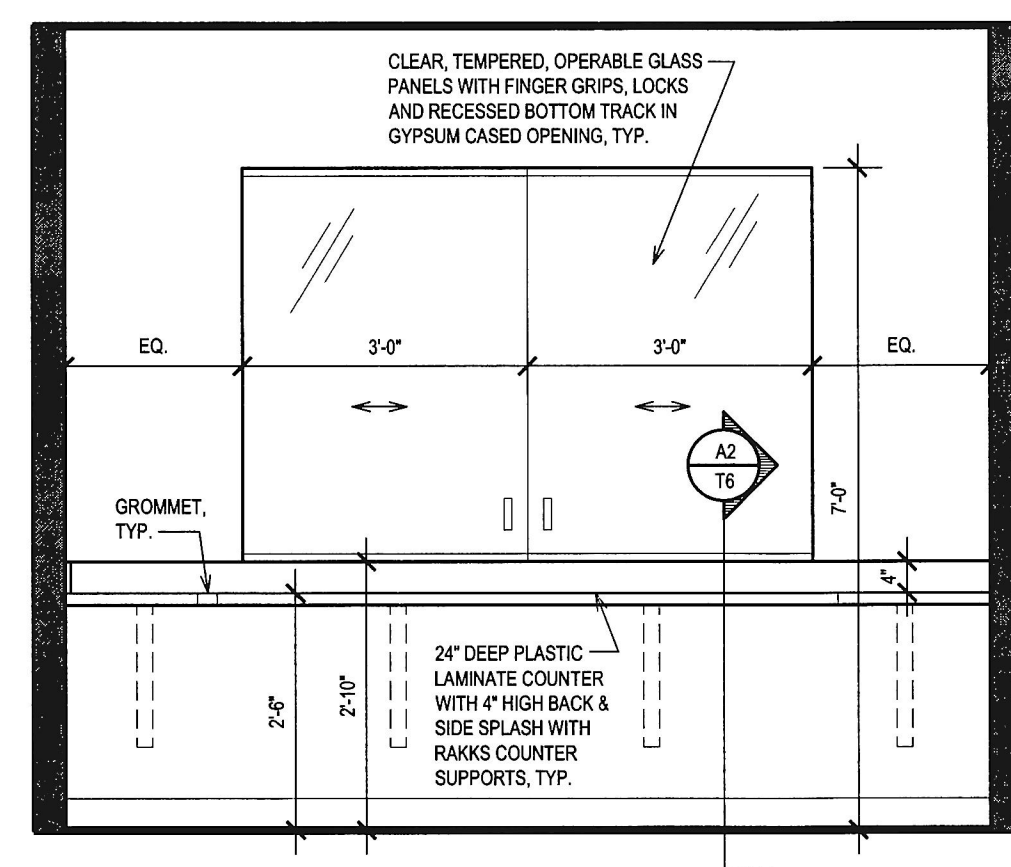
CONTRACTOR TO FIELD VERIFY ALL DIMENSIONS PRIOR TO FABRICATION. NOTIFY ARCHITECT OF ANY DISCREPANCIES.

REFER TO THE STANDARD FINISH AND EQUIPMENT SCHEDULE FOR MANUFACTURER'S, PRODUCTS AND FINISHES.

SEE STANDARD FINISH AND EQUIPMENT SCHEDULE FOR FINISHES.

SUBMIT SHOP DRAWINGS AND CUT SHEETS FOR PM TO APPROVE.

INSTALL RAKKS COUNTER SUPPORTS PER MANUFACTURER'S RECOMMENDATIONS.



A1: ELEVATION

A2: SECTION

