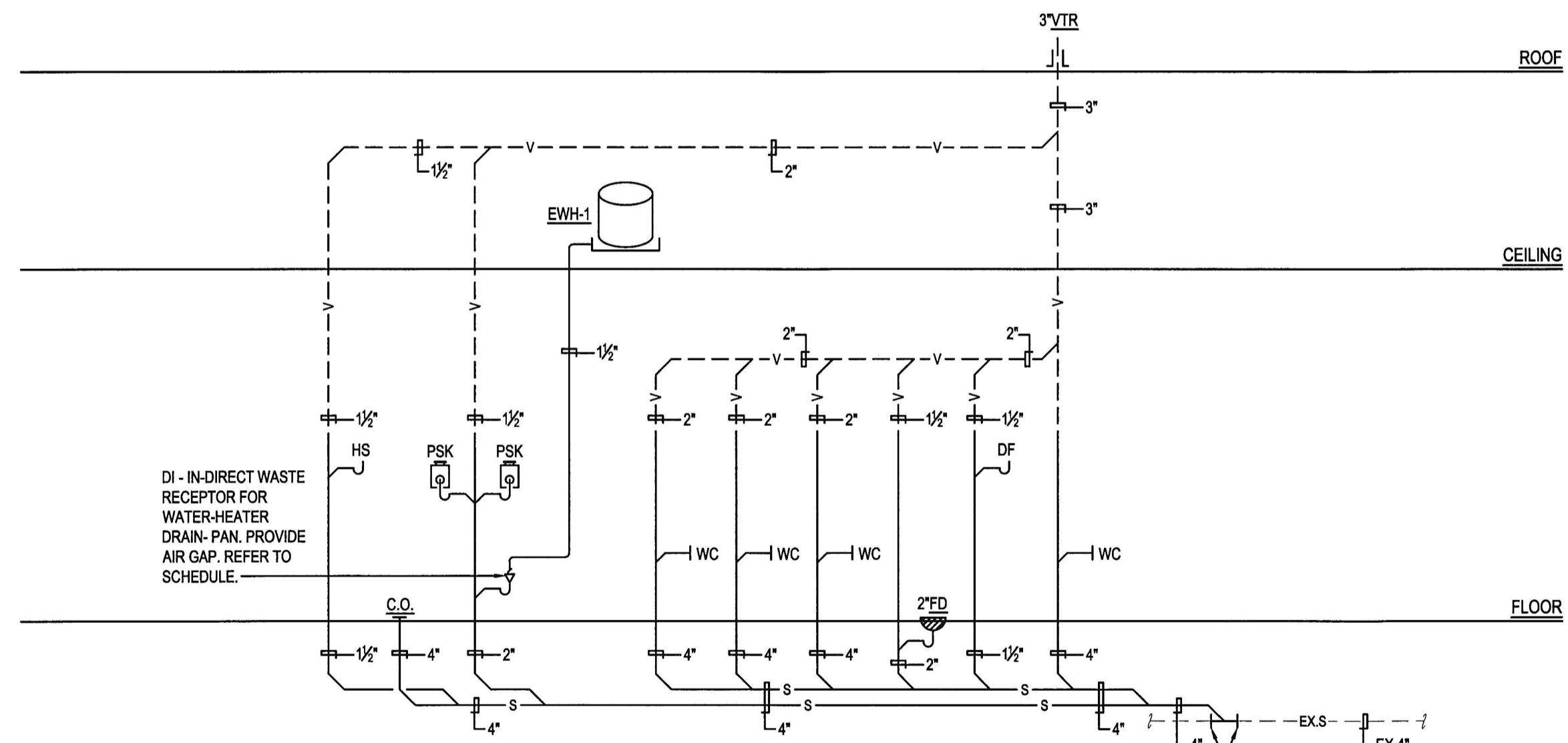


1
P4
SUPPLY RISER
NO SCALE



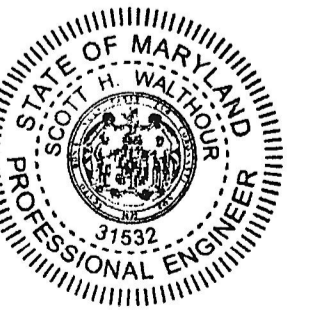
2
P4
SANITARY RISER
NO SCALE

RISER DIAGRAM NOTES:

1. CONTRACTOR TO FIELD COORDINATE CONNECTIONS TO EXISTING.
2. HORIZONTAL DRAINAGE PIPING SHALL BE INSTALLED AT MIN. UNIFORM SLOPE AS FOLLOWING:
 - 1/8" AND SMALLER AT 1/4" PER FT.
 - 3/8" AND LARGER AT 1/8" PER FT.
 - ALL GREASE SANITARY PIPING AT 1/8" PER FT.
3. PROVIDE CLEAN-OUTS WHERE SHOWN AND REQUIRED BY LOCAL AUTHORITY OF JURISDICTION
4. PROVIDE SHUT-OFF VALVES ON ALL FIXTURES, PROVIDE ACCESS PANELS WHERE REQUIRED.
5. ALL CW AND HW PIPING SHALL BE INSULATED.
6. PROVIDE BACK-FLOW DEVICES WHERE REQUIRED AND FOR ALL DIRECT CONNECTIONS TO EQUIPMENT INCLUDING, ICE-MAKER, REFRIGERATOR, COFFEE-MAKER, ETC. PREVENTERS SHALL BE INSTALLED UPSTREAM OF FILTERS (AS REQUIRED).
7. PIPING SHOWN IS DIAGRAMMATIC ONLY. ROUTE AS REQUIRED PER FIELD CONDITIONS AND EQUIPMENT REQUIREMENTS.
8. IF THE SCOPE OF WORK IS ABOVE ANOTHER TENANT'S SPACE, THE CONTRACTOR SHALL VERIFY IF IT IS A FOOD SERVICE ESTABLISHMENT. ALL PIPING ABOVE THE FOOD SERVICE / PREP AREA IS REQUIRED TO HAVE A DRAIN PAN UNDERNEATH. THESE DRAIN PANS ARE TO BE TIED INTO A WASTE LINE TO PROVIDE PROPER DRAINAGE IN THE CASE A PIPE BURSTS OR IS LEAKING.

**Scott H
Walthour**

Digitally signed by
Scott H Walthour
Date: 2021.03.03
22:14:05 -05'00'



RECEIVED

APR 09 2021

LICENSES & PERMITS
DIVISION

DWG NO.	P4
TITLE	RISER DIAGRAMS - PLUMBING
PROJECT FILE NAME	CS00LES
PROJECT	LITTLE LEAVES BEHAVIORAL SERVICES GROUND LEVEL, SUITE A 7150 COLUMBIA GATEWAY DRIVE COLUMBIA, MD 21046
ARCHITECT / MEP ENGINEER	ARIUM AE
ARCHITECT / MEP ENGINEER	6527 TWIN KNOLLS ROAD SUITE 435 COLUMBIA, MD 21046 WASHINGTON, DC 20786 WWW.ARIUMAE.COM
PROJECT MANAGER	
CONTRACTOR	
REV. NO.	DATE

I CERTIFY THAT THESE DOCUMENTS WERE PREPARED OR APPROVED BY ME, AND THAT I AM A DULY LICENSED ENGINEER UNDER THE LAWS OF THE STATE OF MARYLAND. LICENSE NUMBER: 31532 EXP. DATE: 3/14/2023

REVIEWED FOR
CODE COMPLIANCE
Department of Inspections,
Licenses and Permits
Howard County
Date: 03/16/21
By: Adolphe Hurtiaux