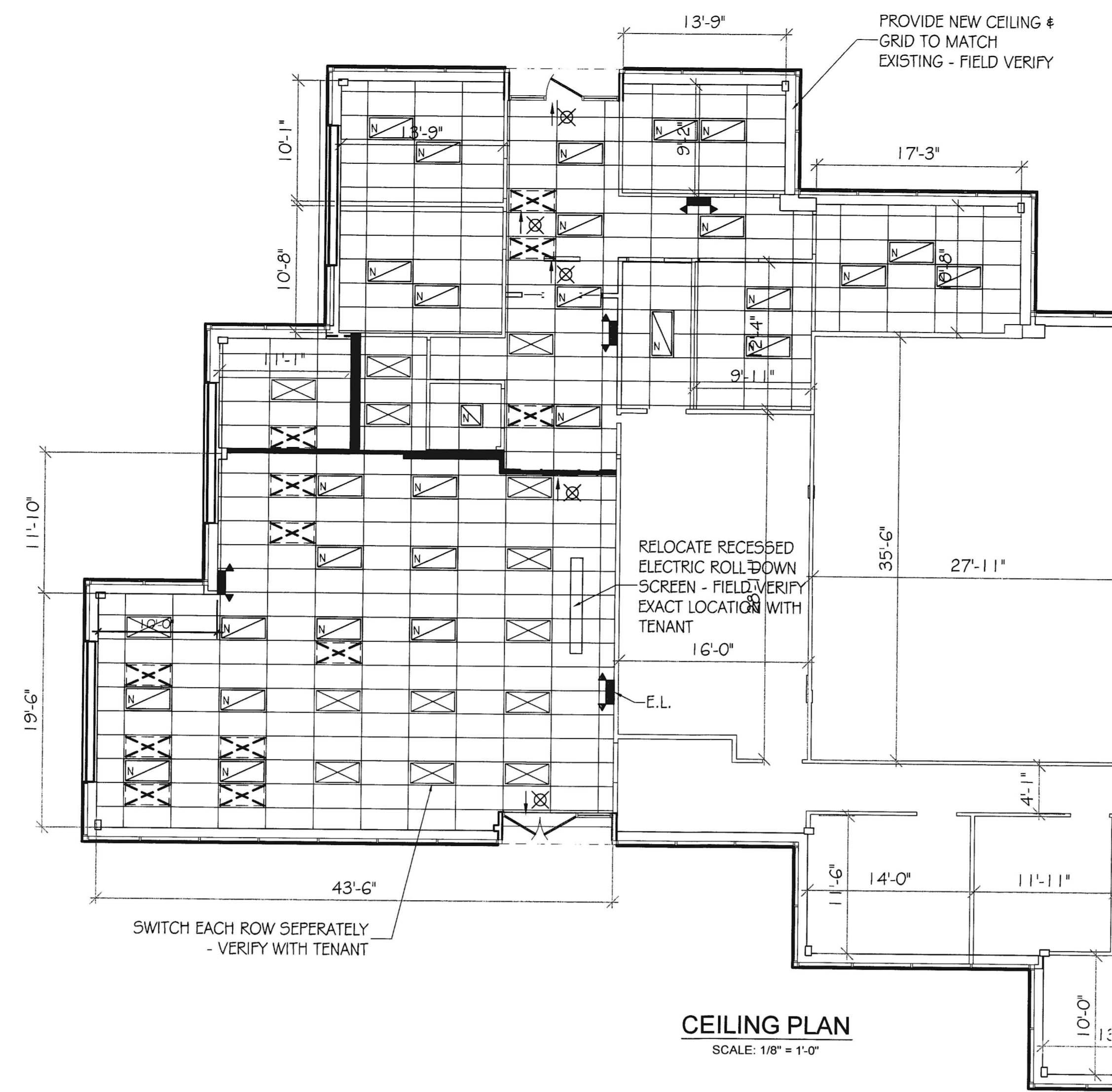
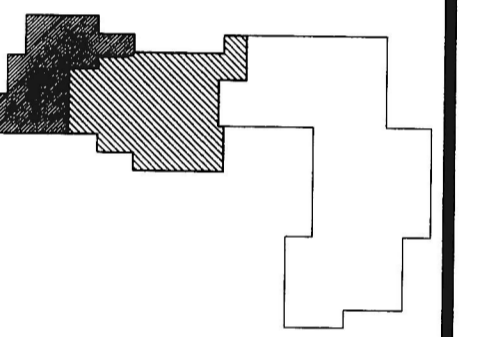




**HOFMANN
ASSOCIATES, INC.**
606 Baltimore Ave.
Suite 102
Towson, Maryland 21204
410.828.9090
fax 410.828.4433



KEY PLAN



PROJECT NAME
**Maryland State Dental
Association - Suites F & G**
6410 DOBBIN ROAD
COLUMBIA, MD 21045

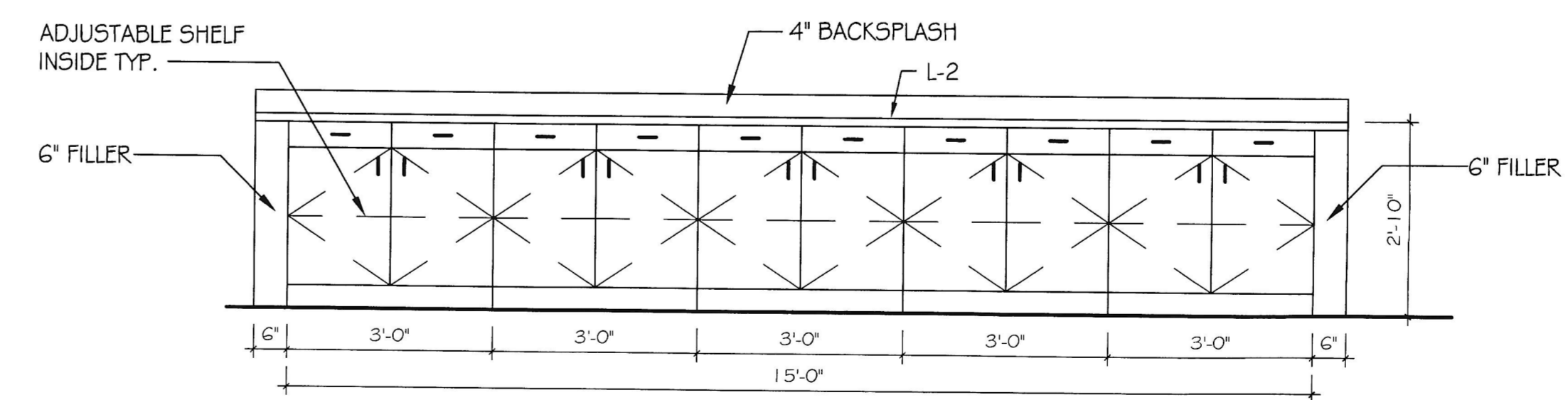
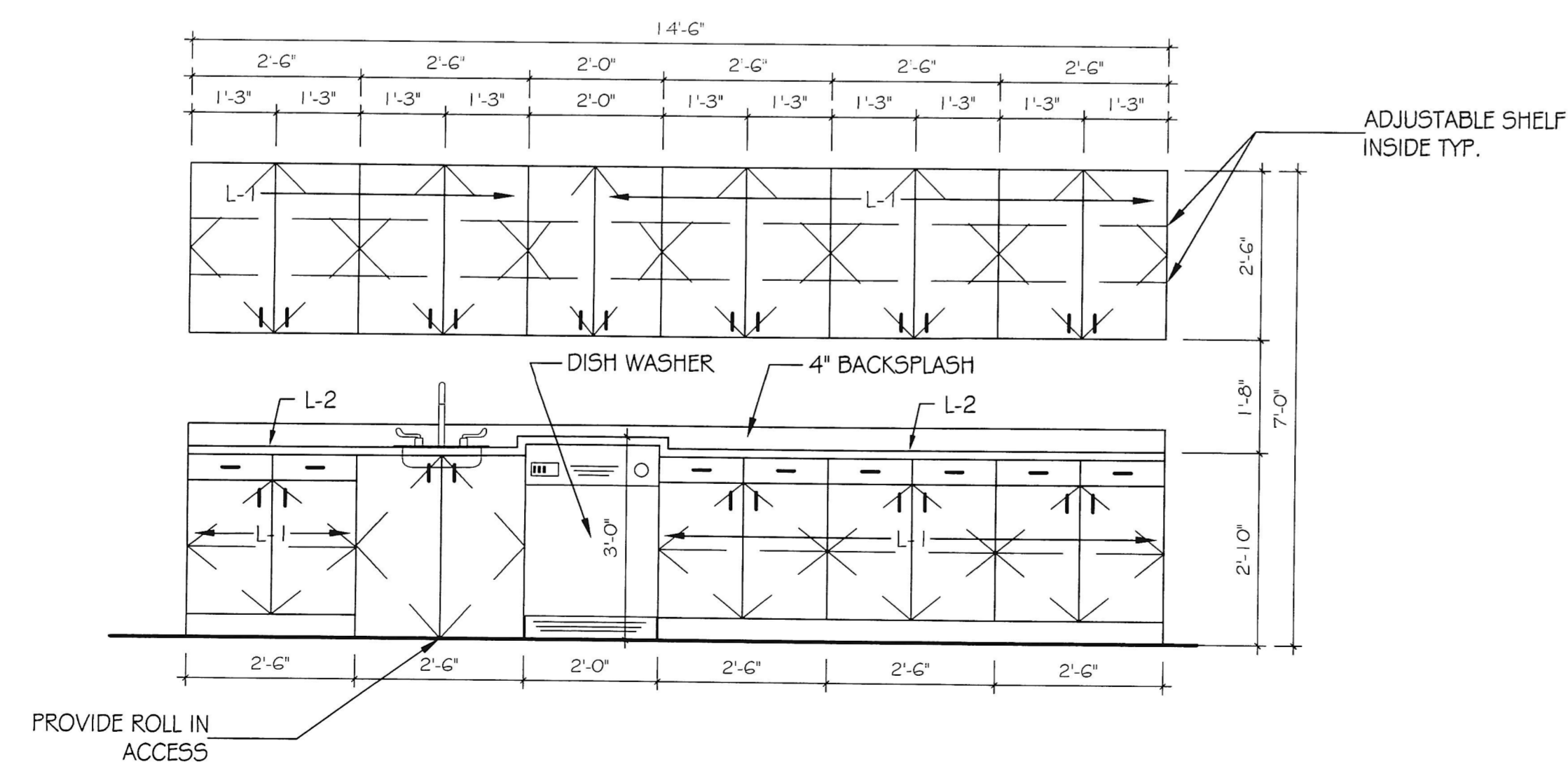
DEVELOPER
AMB PROPERTIES

ISSUE DATE

02-15-10 PERMIT

THE CONCEPTS, IDEAS, DESIGNS AND IMAGES ARE INTENDED ONLY FOR THE PROJECT SPECIFIED ON THIS SHEET AND ARE THE SOLE PROPERTY OF HOFMANN ASSOCIATES, INC. THEY ARE NOT TO BE REPRODUCED OR USED BY OTHERS WITHOUT WRITTEN PERMISSION BY HOFMANN ASSOCIATES, INC.

REFLECTED
CEILING PLAN



T-3