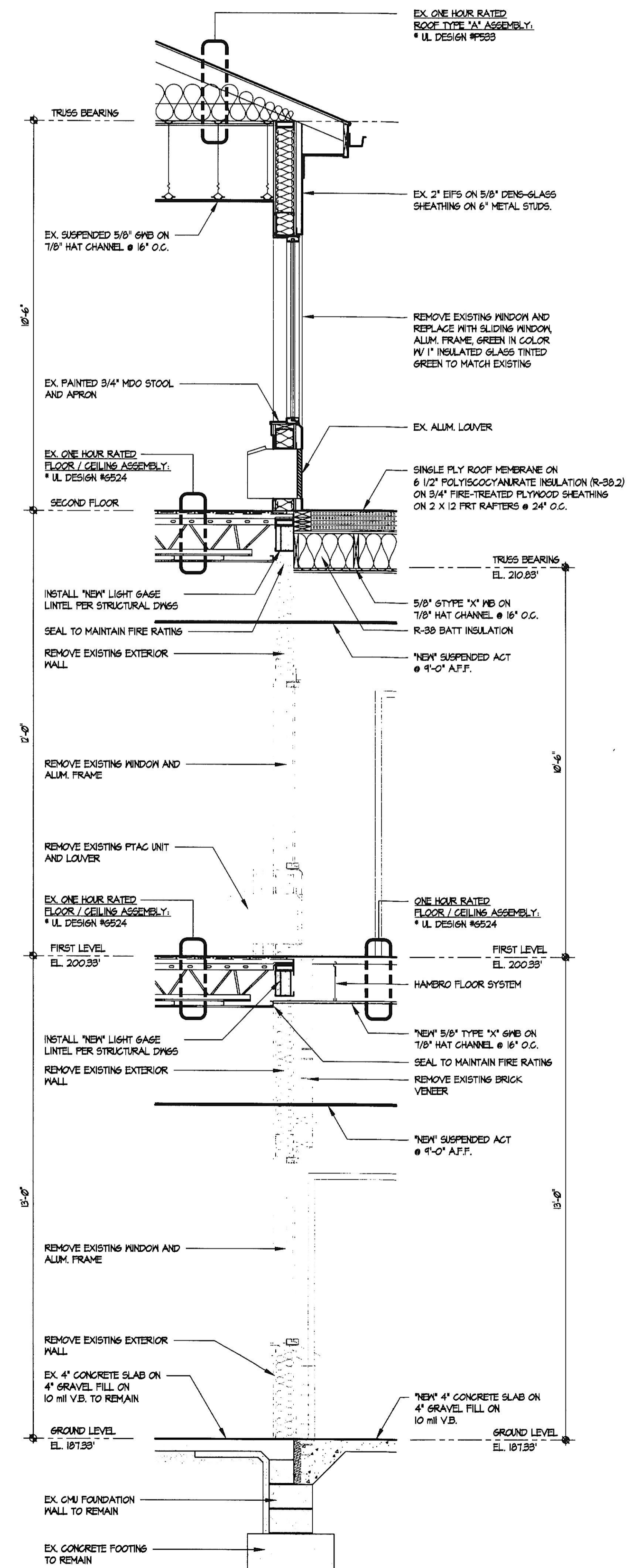


11 WALL SECTION - A.L. WING CONNECTION
A4.4 1/2" = 1'-0"



12 WALL SECTION - NURSING WING CONNECTION
A4.4 1/2" = 1'-0"

GENERAL NOTES:
1. SCORE EIFS TO ALIGN/MATCH EXISTING.
2. WINDOWS TO BE IVY GREEN KYNAR FINISH TO MATCH EXISTING.

REVISIONS	BY

1/26/19 PERM JTJ

REVIEW COMMENTS

Professional Certification
I certify that these documents were prepared or approved by me, and that I am duly licensed architect under the laws of the State of Maryland, license number 2002 A, expiration date February 25, 2020.

Lorien Nursing - Elkridge Addition
 7615 Washington Blvd
 Elkridge, Maryland 21075

WALL SECTIONS

DATE	April 4, 2019
SCALE	1/8" = 1'-0"
DRAWN	
JOB NUMBER	
SHEET	

A4.4
OF SHEETS