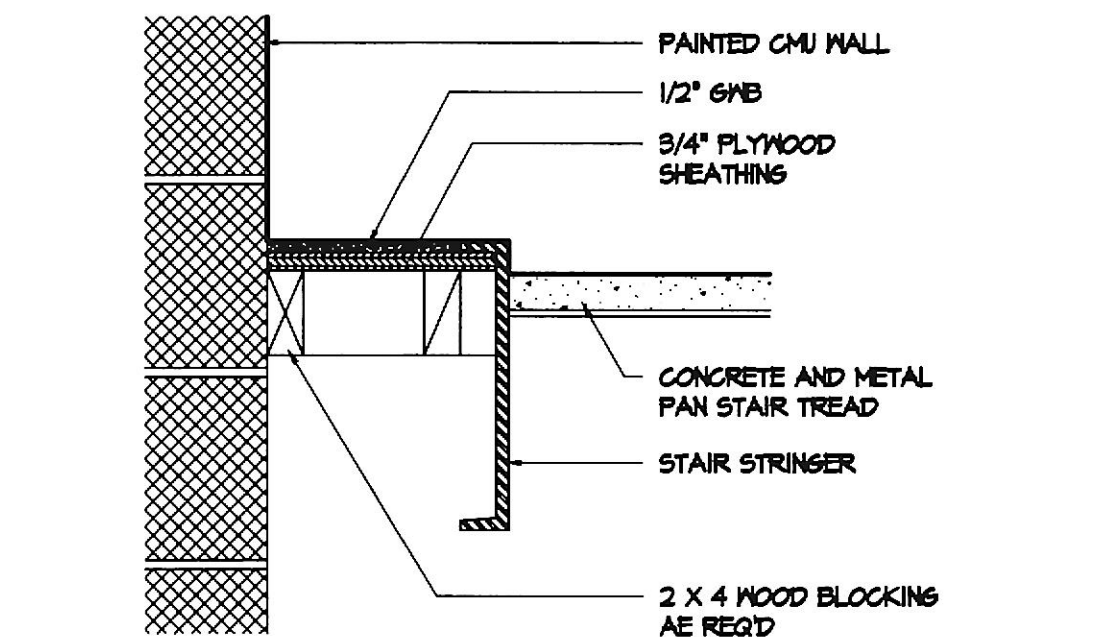
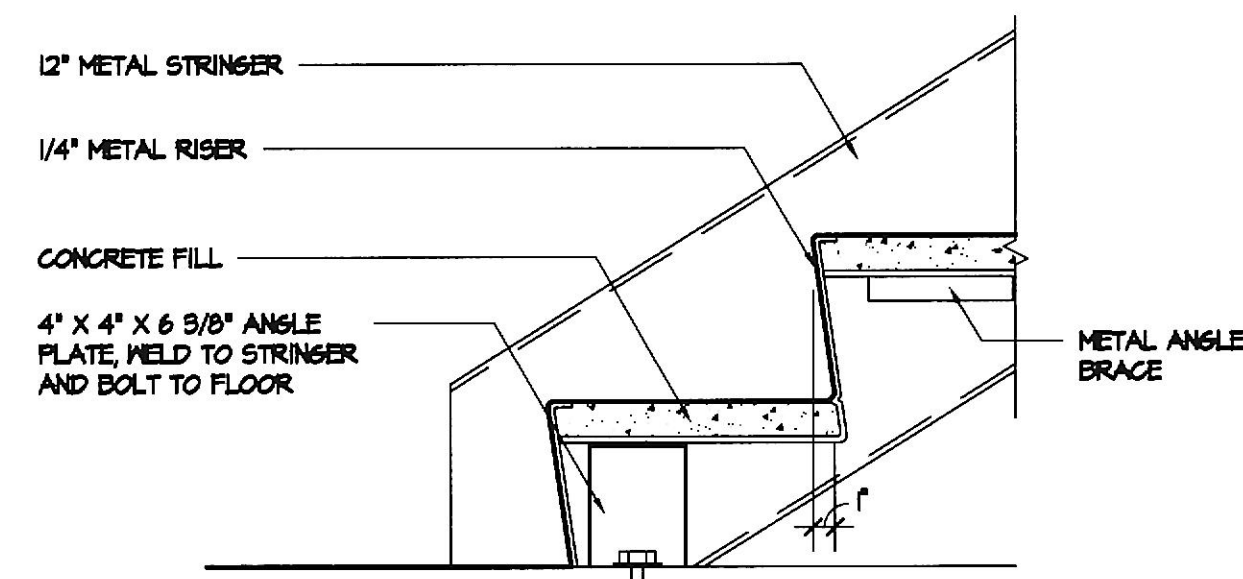


7 STAIR LANDING UP DETAIL
A6.2 1/2" = 1'-0"

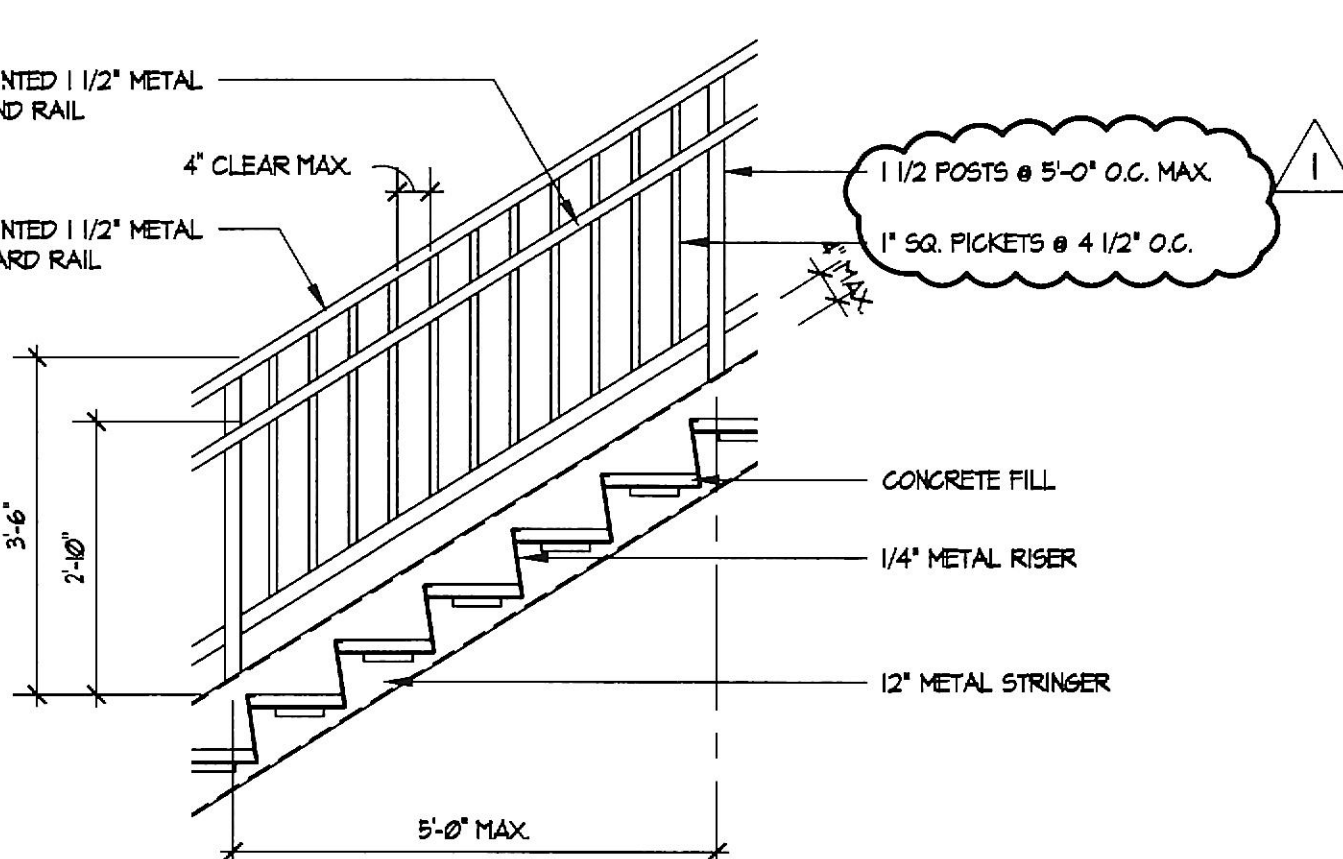
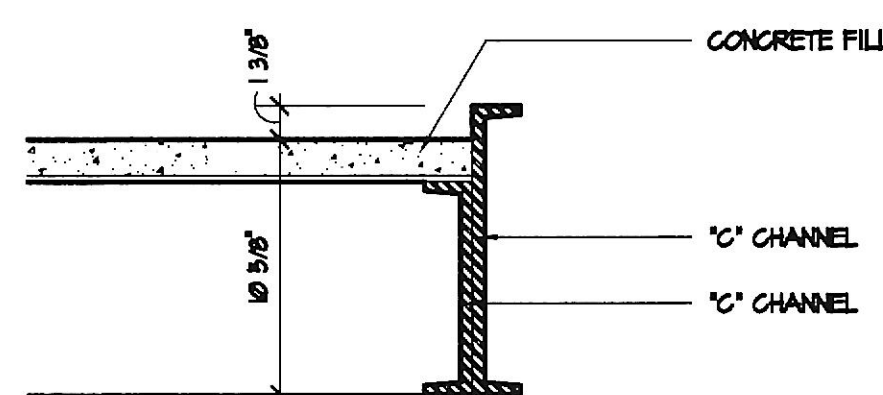
8 STAIR LANDING DOWN DETAIL
A6.2 1/2" = 1'-0"

13 HANDRAIL DETAIL
A6.2 1" = 1'-0"



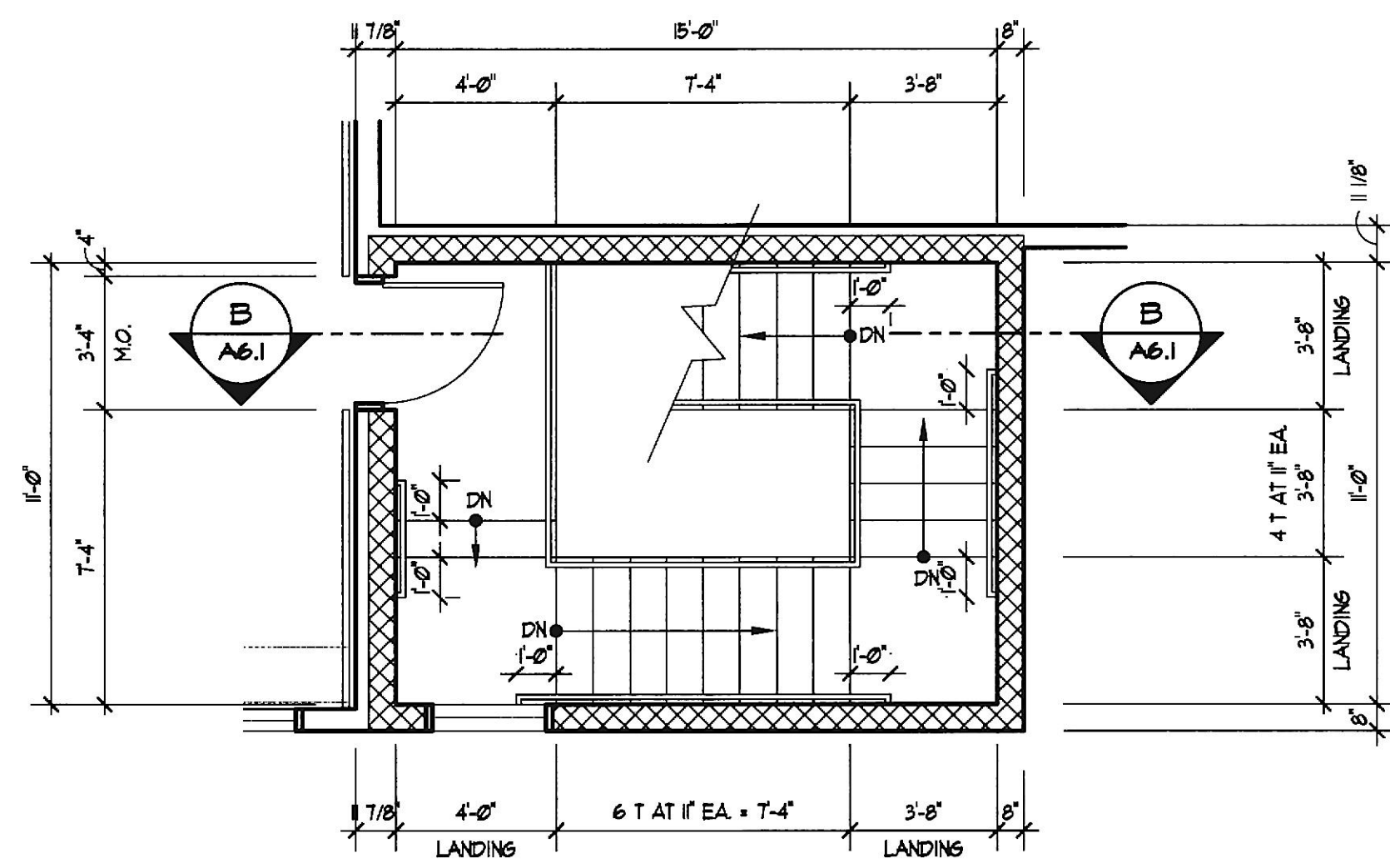
9 STAIR BASE DETAIL
A6.2 1/2" = 1'-0"

10 GMB CLOSURE DETAIL
A6.2 1/2" = 1'-0"

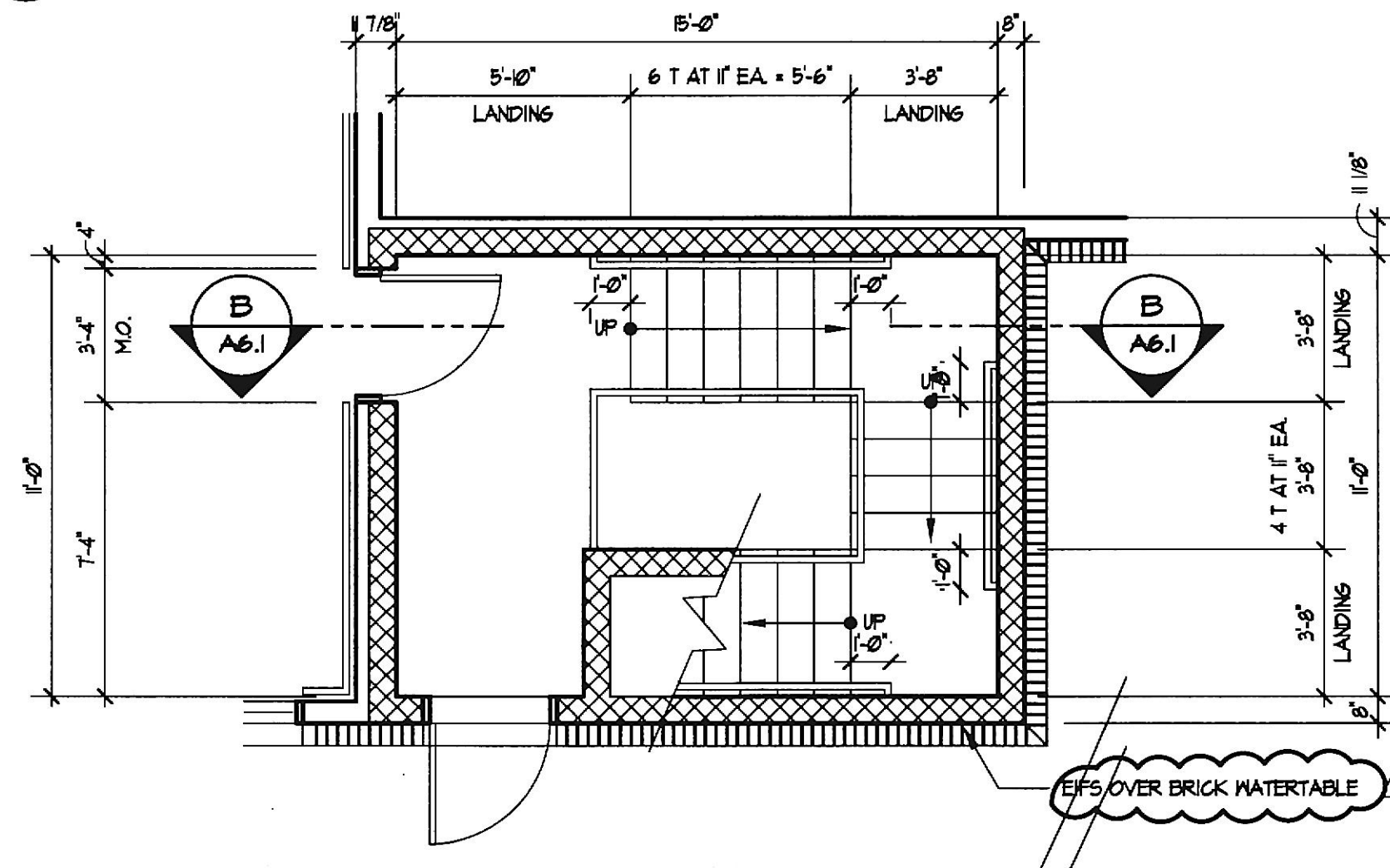


11 STAIR LANDING DETAIL
A6.2 1/2" = 1'-0"

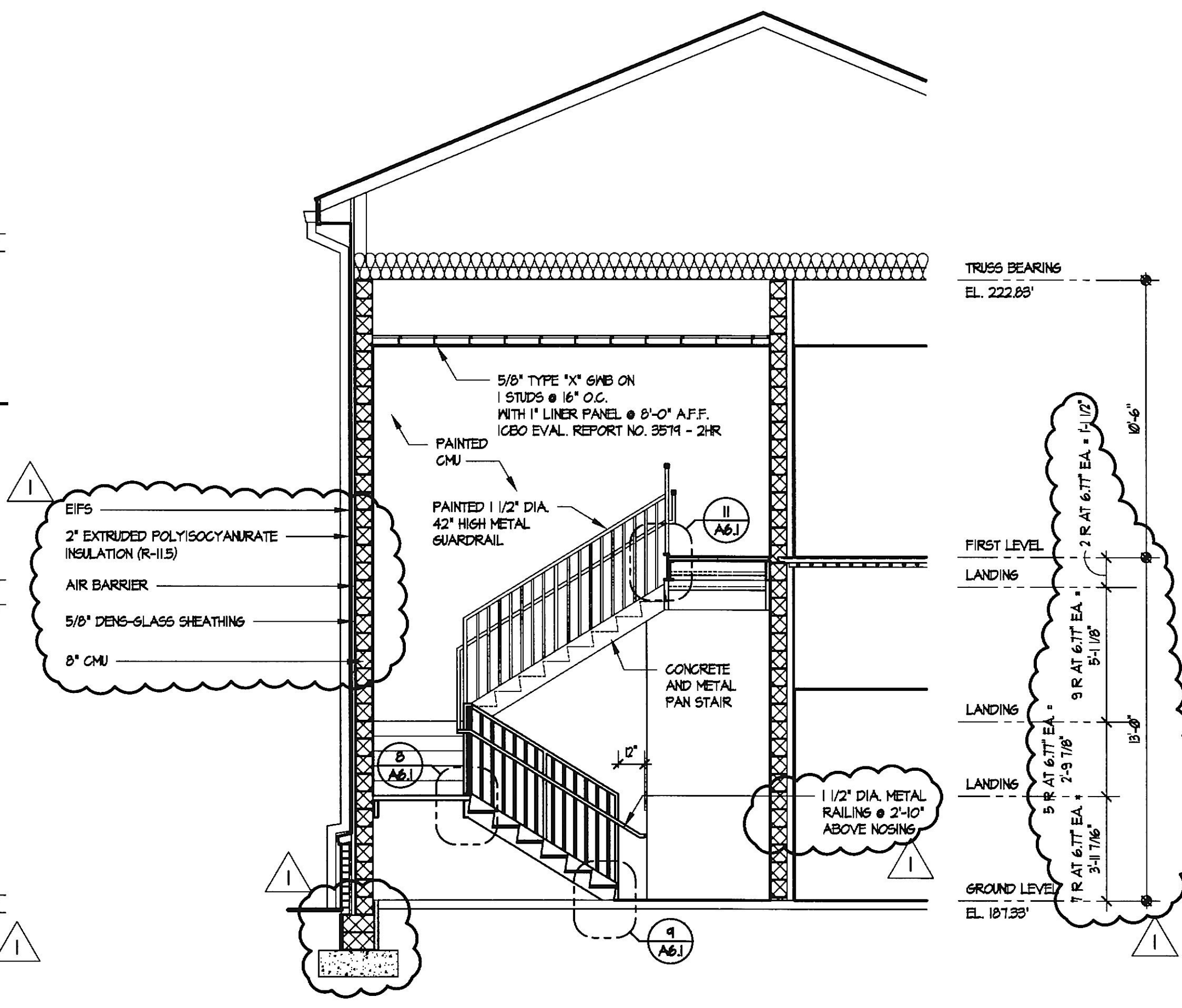
12 METAL GUARD RAIL ELEVATION
A6.2 1/2" = 1'-0"



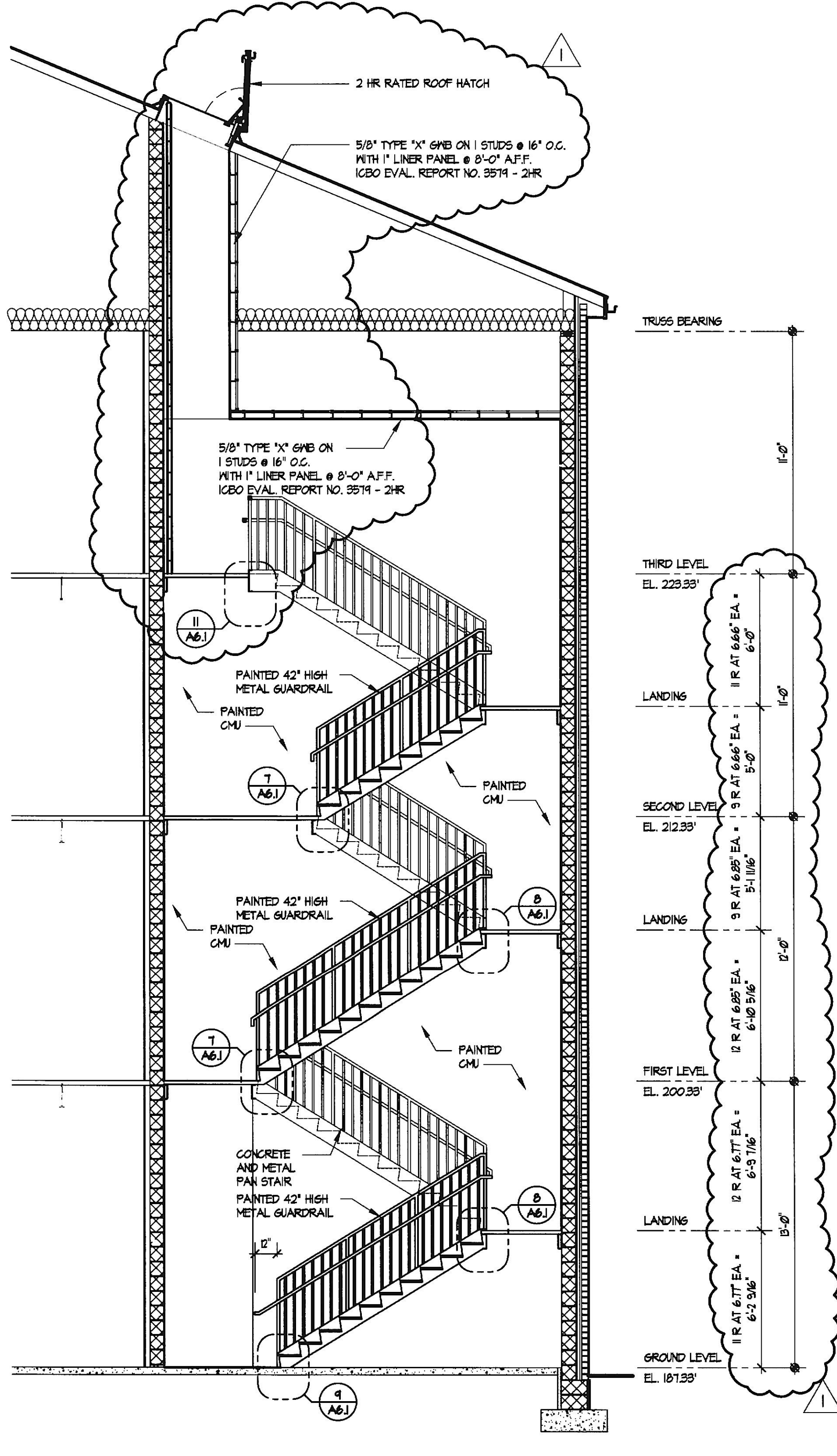
6 STAIR #3 FIRST FLOOR ENLARGED PLAN
A6.1 1/4" = 1'-0"



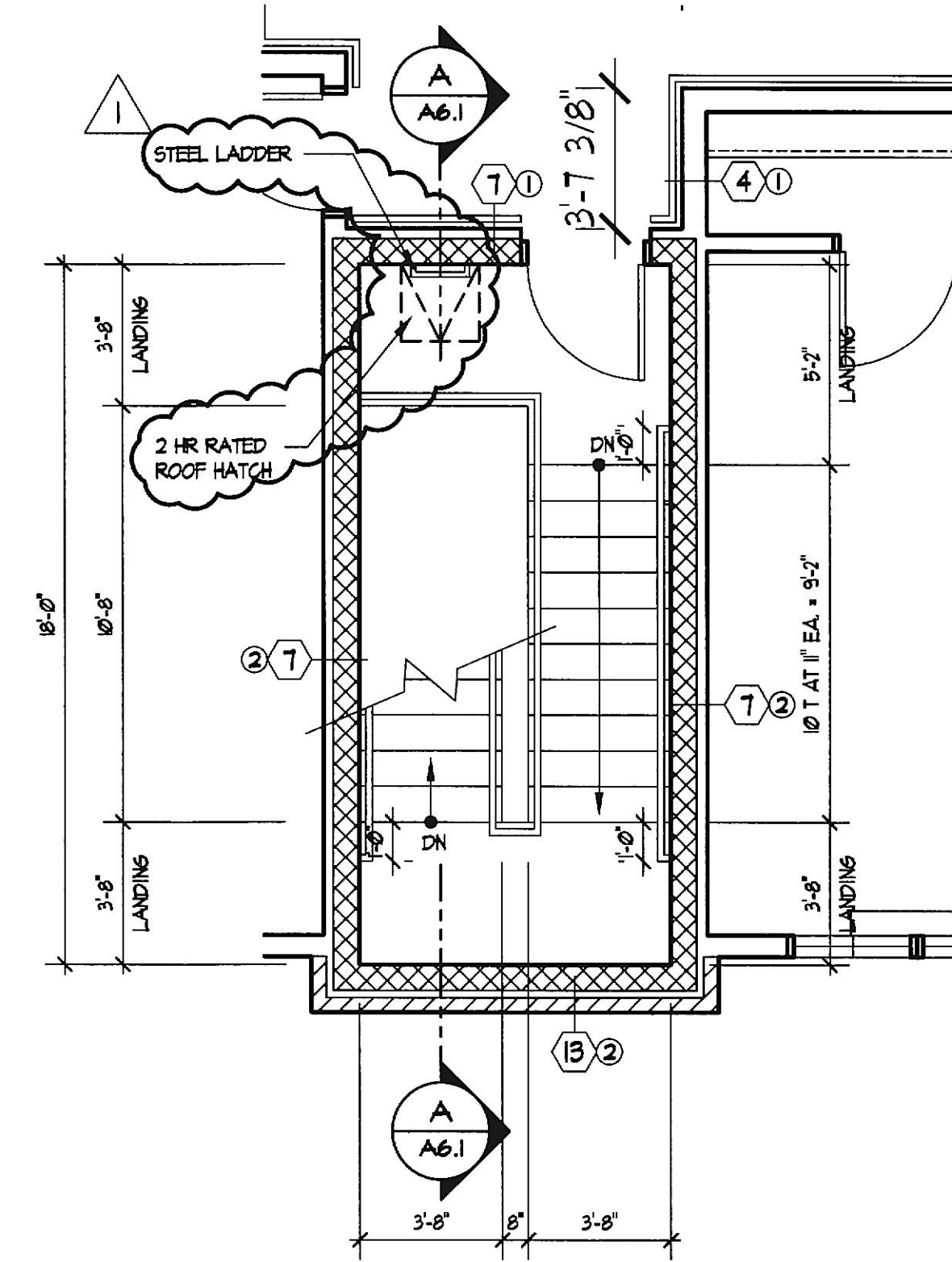
5 STAIR #3 GROUND FLOOR ENLARGED PLAN
A6.1 1/4" = 1'-0"



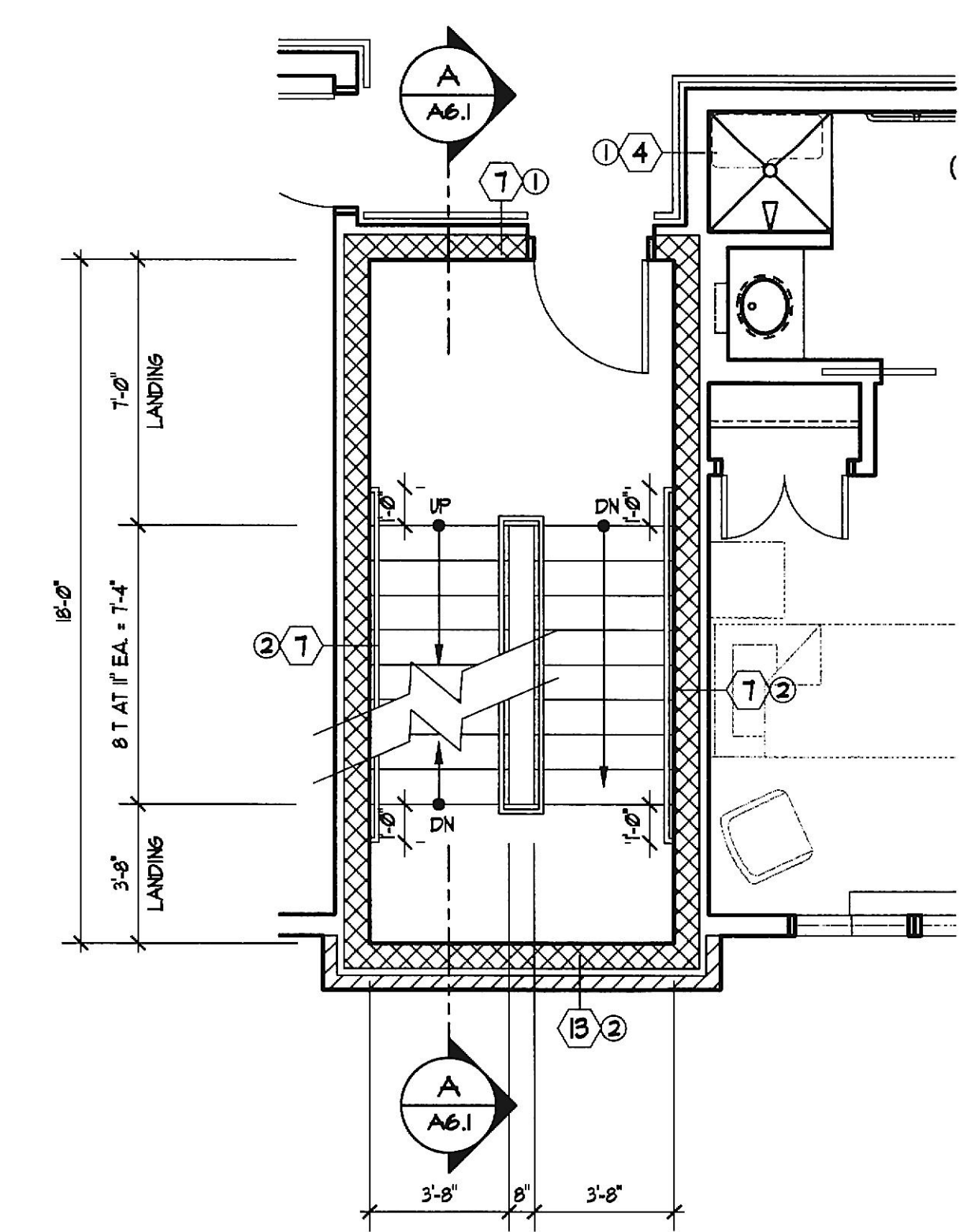
B STAIR #3 SECTION
A6.1 1/4" = 1'-0"



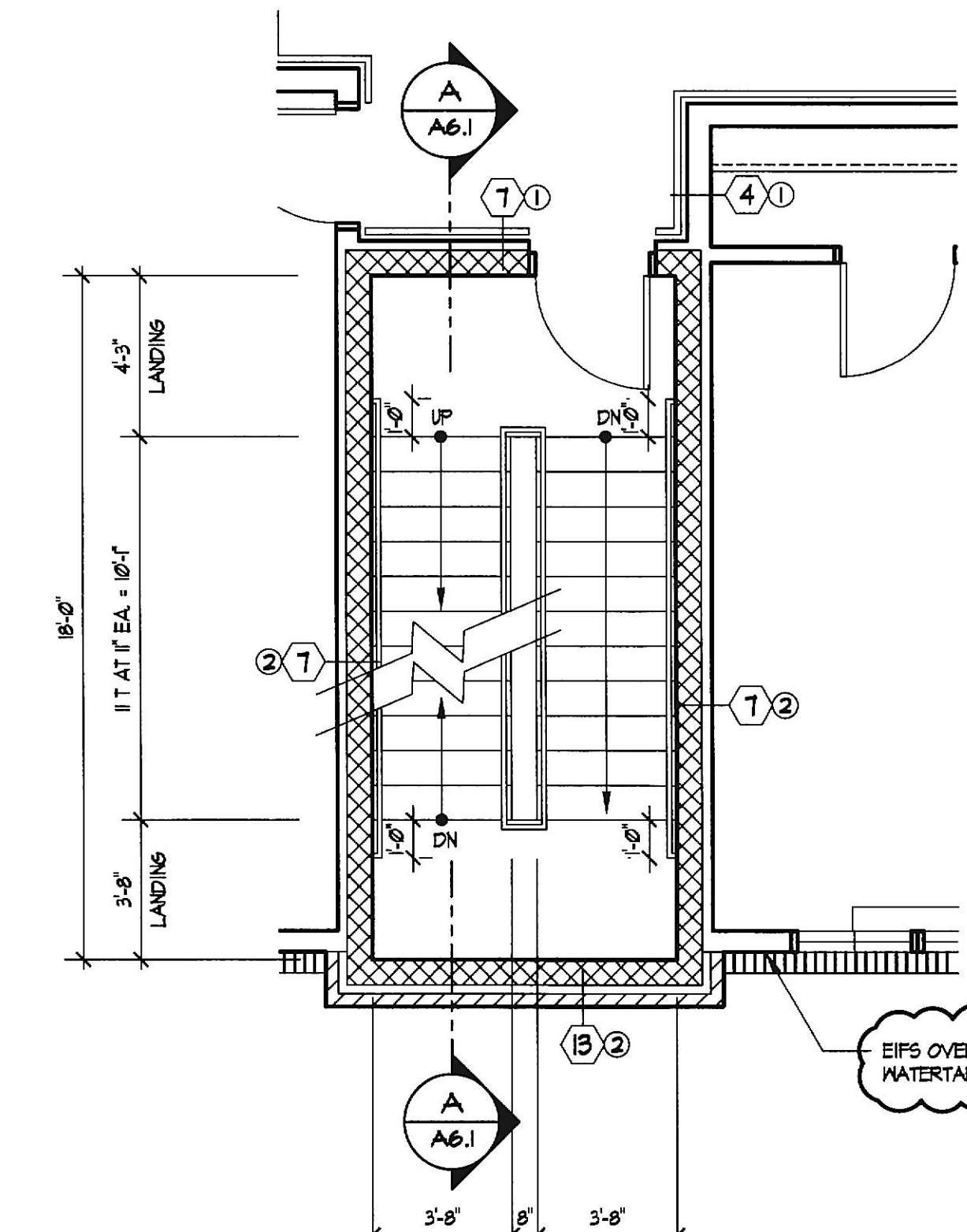
A STAIR #4 SECTION
A6.1 1/4" = 1'-0"



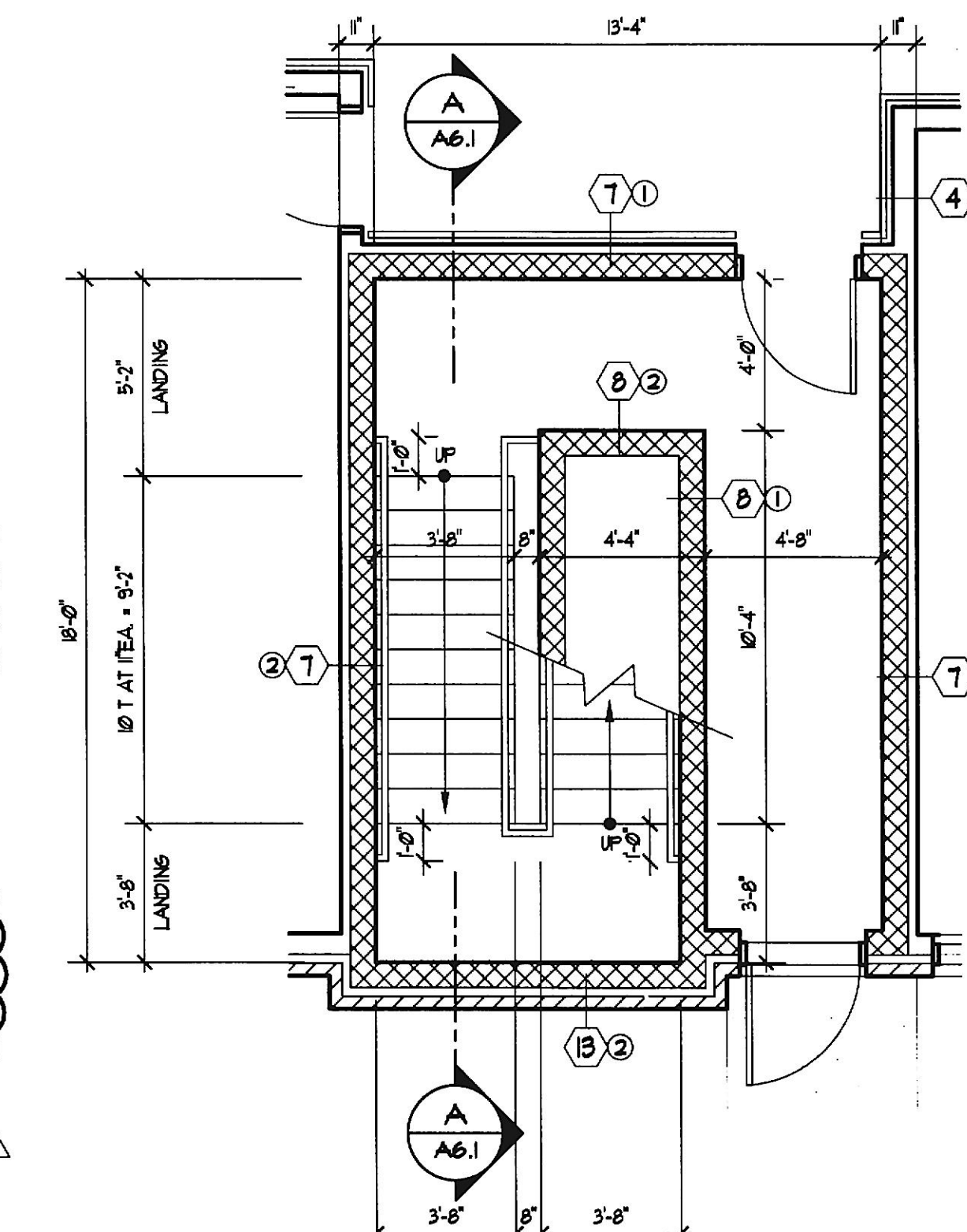
4 STAIR #4 - THIRD FLOOR PLAN
A6.1 1/4" = 1'-0"



3 STAIR #4 - SECOND FLOOR PLAN
A6.1 1/4" = 1'-0"



2 STAIR #4 - FIRST FLOOR PLAN
A6.1 1/4" = 1'-0"



1 STAIR #4 - GROUND FLOOR PLAN
A6.1 1/4" = 1'-0"

REVISIONS	BY
1/26/14 PERM4T	JLS

Professional Certification
I certify that these documents were prepared or approved by me, and that I am duly licensed architect under the laws of the State of Maryland, license number 20022 A, expiration date February 25, 2020.

Lorien Nursing - Elkridge Addition
7615 Washington Blvd
Elkridge, Maryland 21075

STAIR PLANS AND SECTIONS
DATE: April 4, 2019
SCALE: AS NOTED
DRAWN: A6.1
JOB NUMBER:
SHEET: A6.1
OF SHEETS: