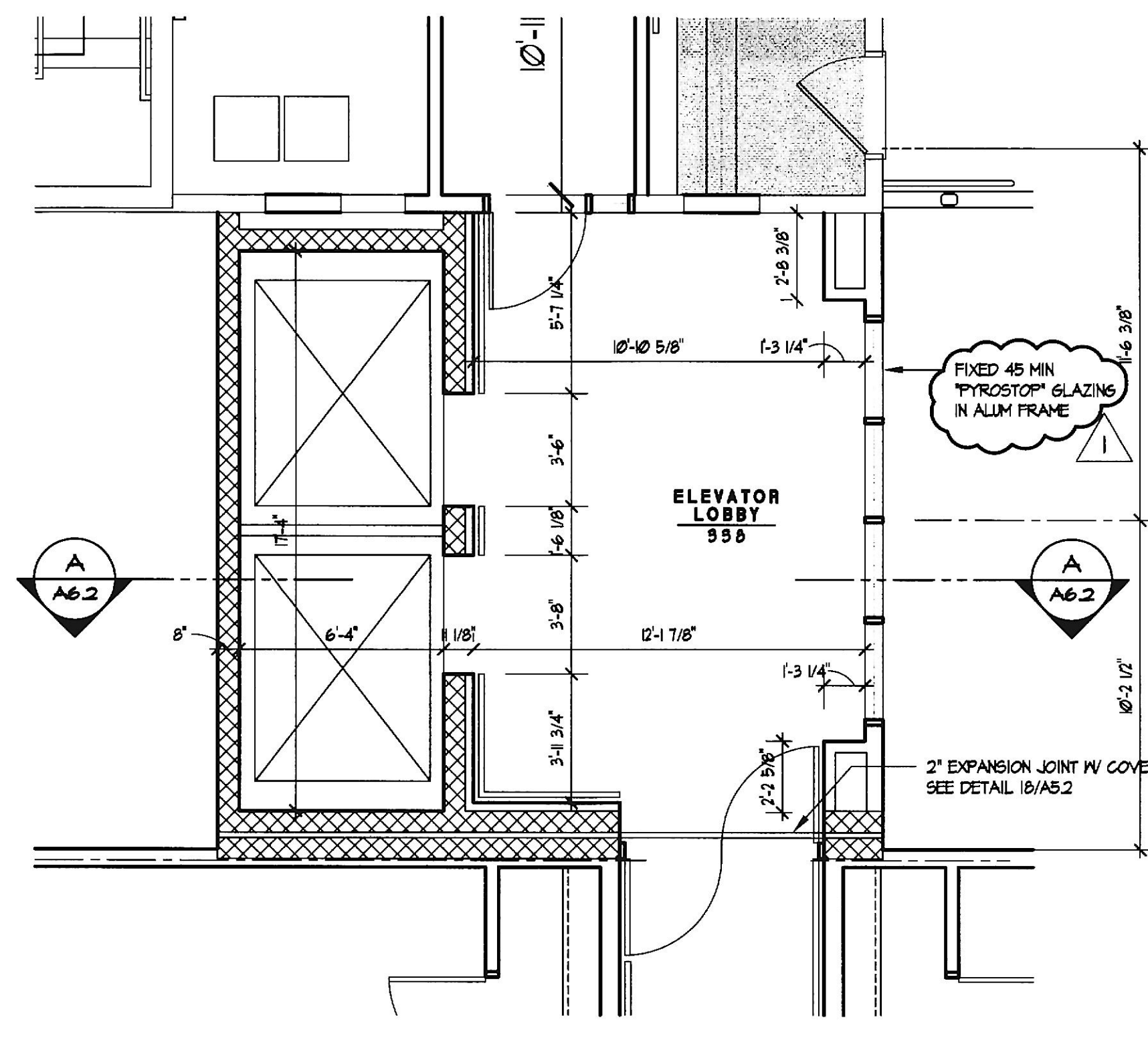
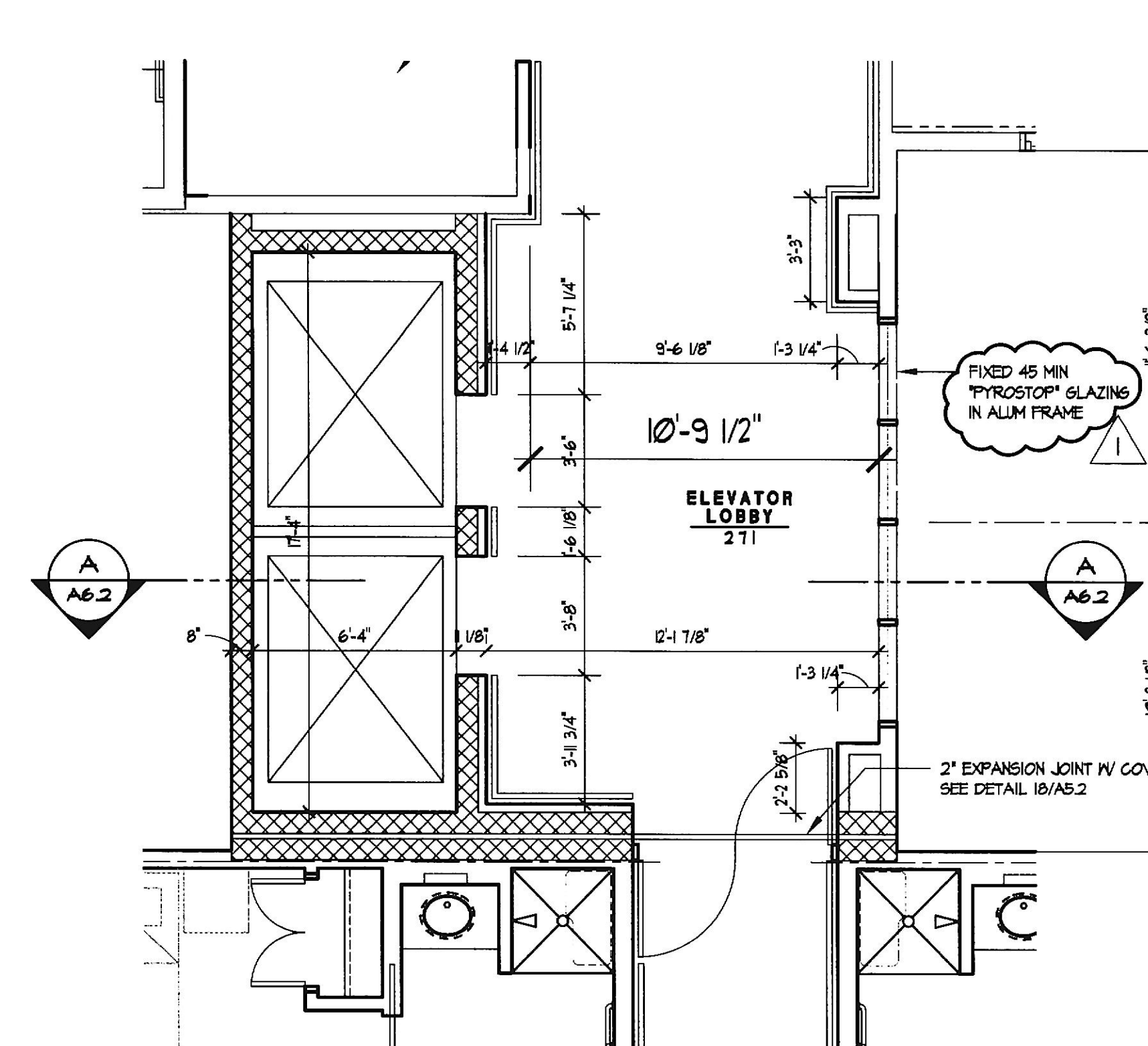


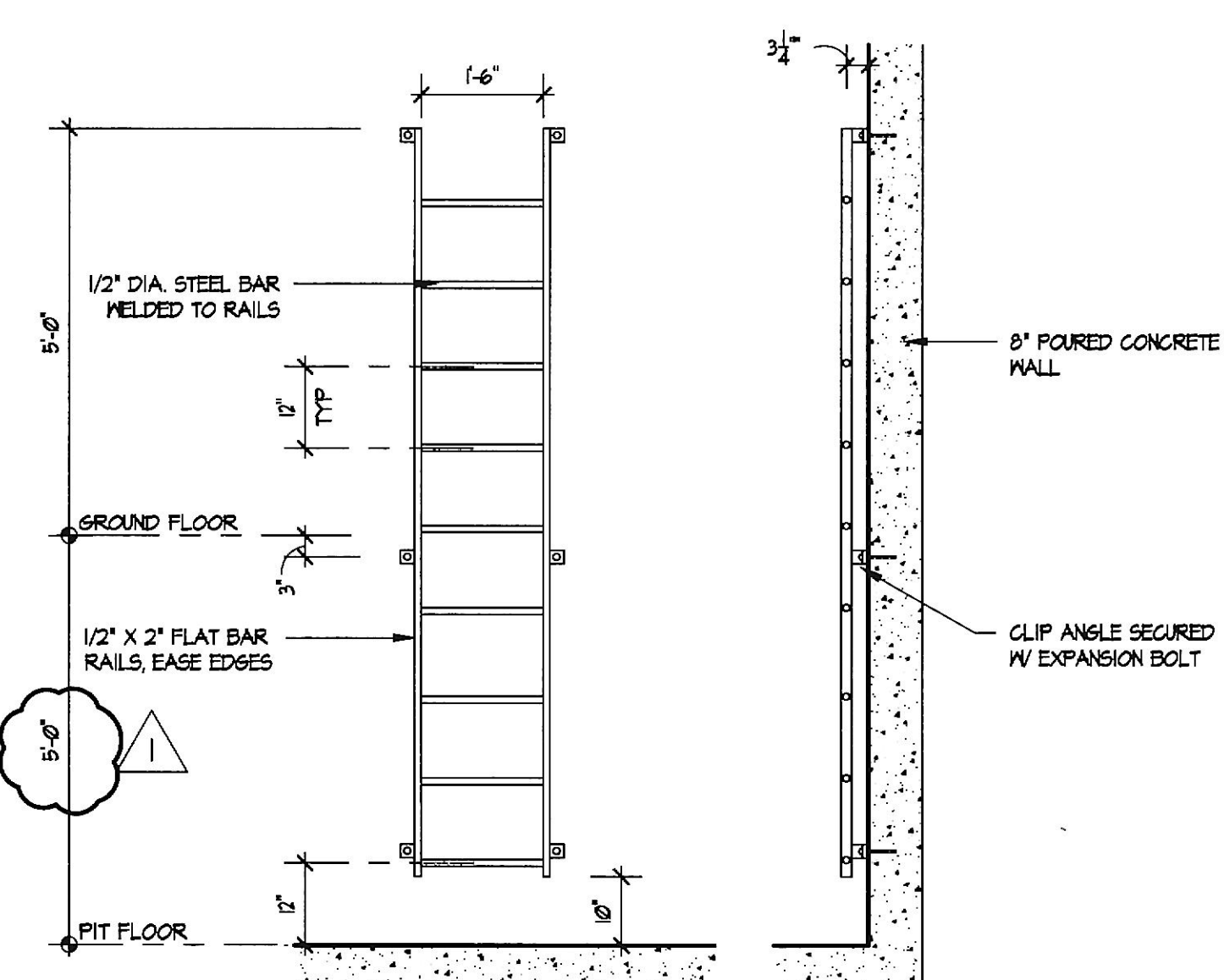
B ELEVATOR - JAMB / HEAD AND SILL DETAILS
A6.2 1/4" = 1'-0"



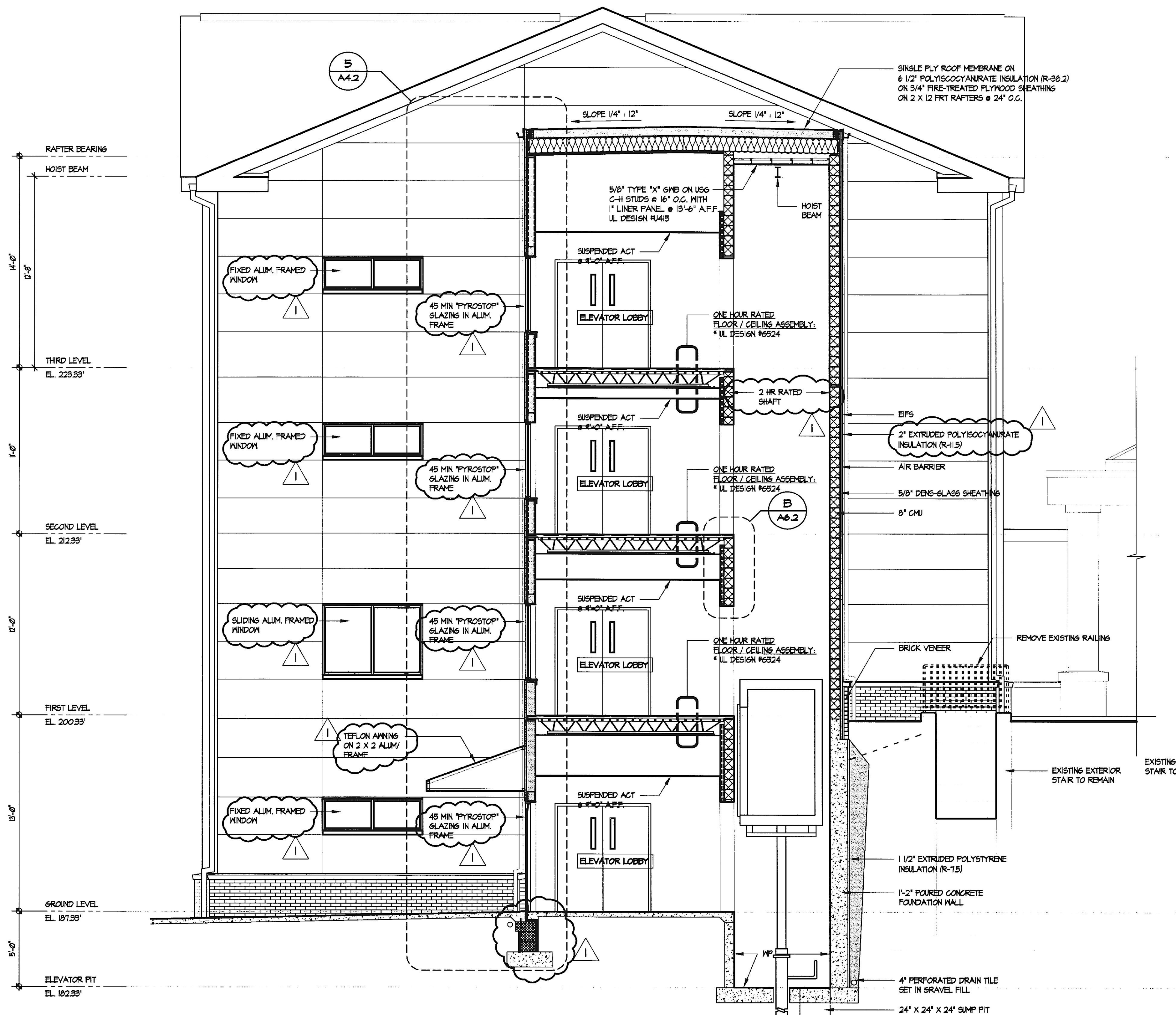
4 ELEVATOR THIRD FLOOR PLAN
A6.2 1/4" = 1'-0"



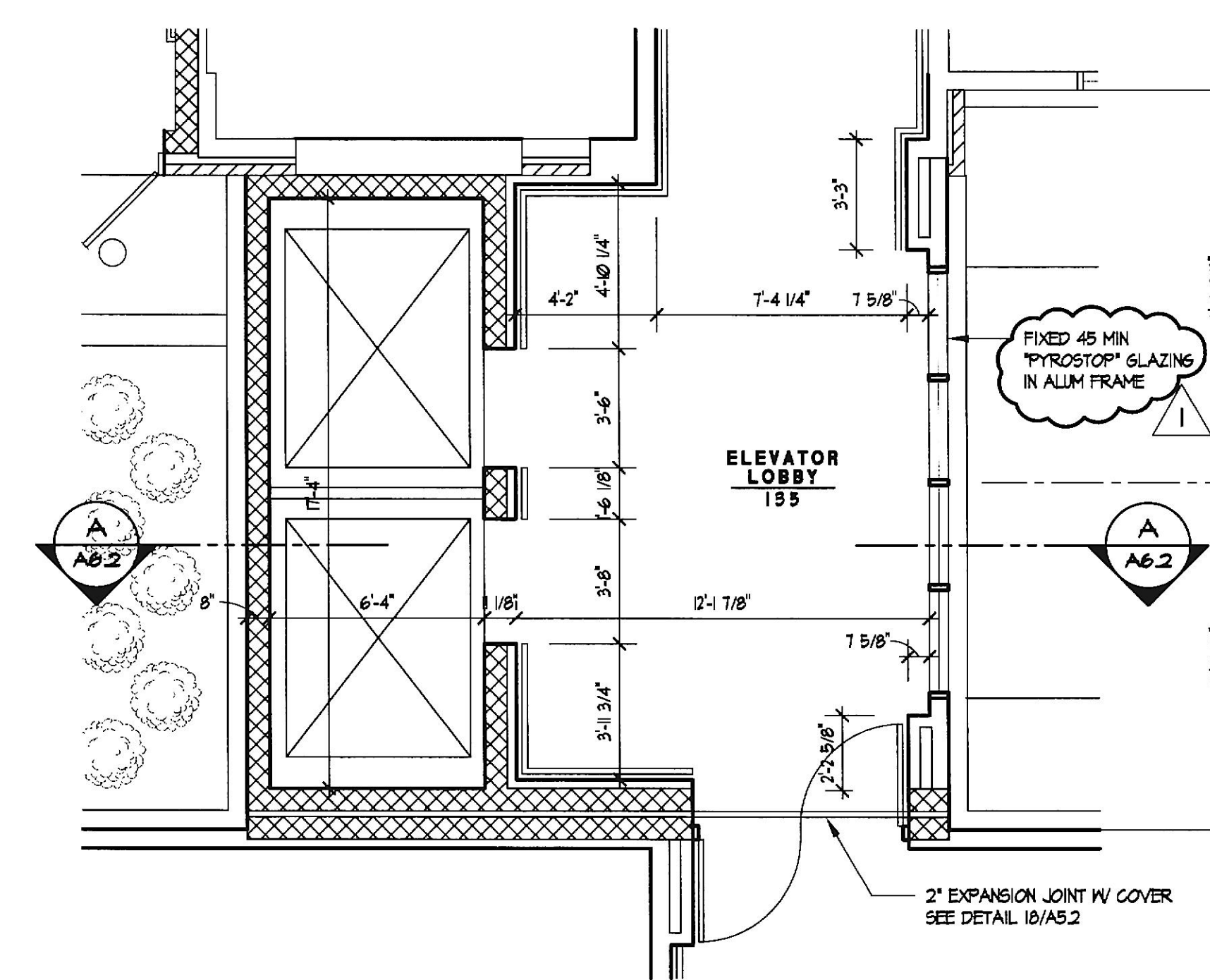
3 ELEVATOR SECOND FLOOR PLAN
A6.2 1/4" = 1'-0"



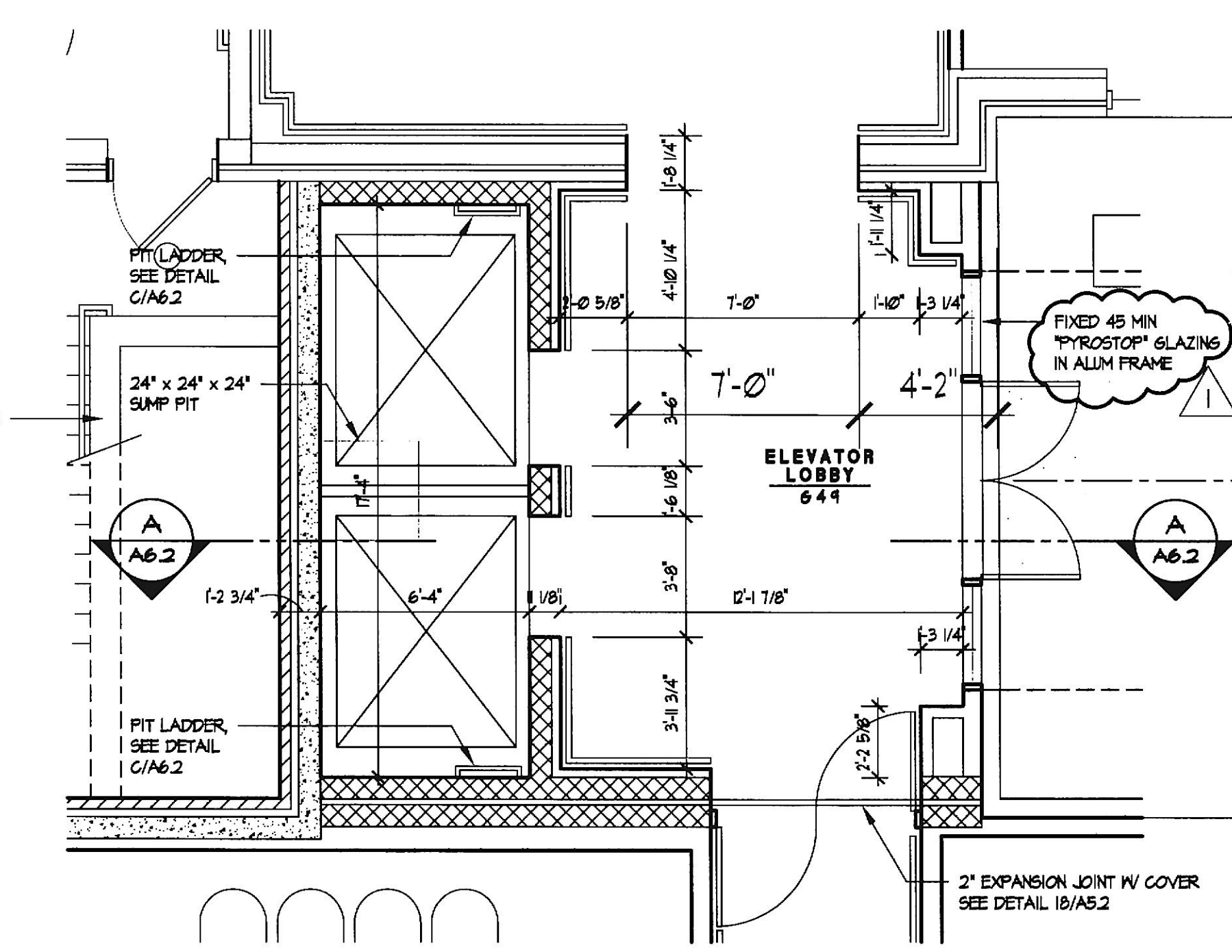
C PIT LADDER DETAILS
A6.2 1/2" = 1'-0"



A ELEVATOR SECTION AND WEST ELEVATION A.L. WING
A6.2 1/4" = 1'-0"



2 ELEVATOR FIRST FLOOR PLAN
A6.2 1/4" = 1'-0"



1 ELEVATOR GROUND FLOOR PLAN
A6.2 1/4" = 1'-0"

REVISIONS	BY
1/26/19 PERMIT	JLS
REVIEW COMMENTS	

Professional Certification
I certify that these documents were prepared or approved by me, and that I am duly licensed architect under the laws of the State of Maryland, license number 2002 A, expiration date February 25, 2020.

Lorien Nursing - Elkridge Addition
7615 Washington Blvd
Elkridge, Maryland 21075

ELEVATOR PLANS AND SECTIONS
DATE: April 4, 2019
SCALE: AS NOTED
DRAWN:
JOB NUMBER:
SHEET
A6.2
OF SHEETS