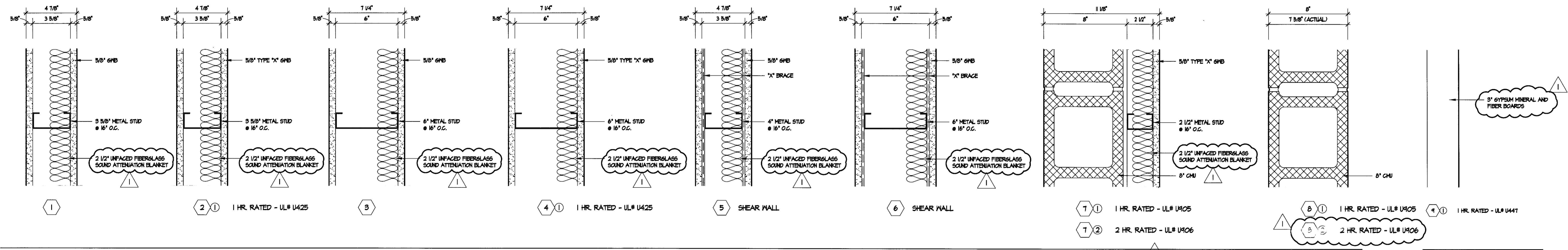
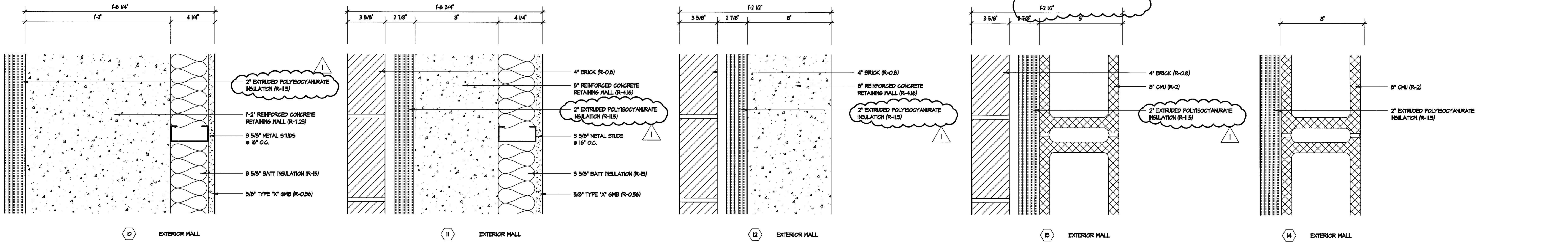


1 WINDOW SCHEDULE
 AT1 1/4" = 1'-0"



INTERIOR WALLS



EXTERIOR WALLS

2 WALL TYPES
 AT1 3\"/>

REVISIONS

1	1/26/19 PERM	
REVIEW COMMENTS		

Professional Certification
 I certify that these documents were prepared or approved by me, and that I am duly licensed architect under the laws of the State of Maryland, license number 2002. An expiration date February 25, 2020.

Lorien Nursing - Elkridge Addition
 7615 Washington Blvd
 Elkridge, Maryland 21075

WINDOW AND PARTITION SCHEDULE

DATE April 4, 2019
 SCALE AS NOTED
 DRAWN
 JOB JOB NUMBER
 SHEET

A7.1
 OF SHEET