

REVISION	BY

Professional Certification
I certify that these documents were prepared or approved by me, and that I am duly licensed architect under the laws of the State of Maryland, license number 2002 A, expiration date February 25, 2020.

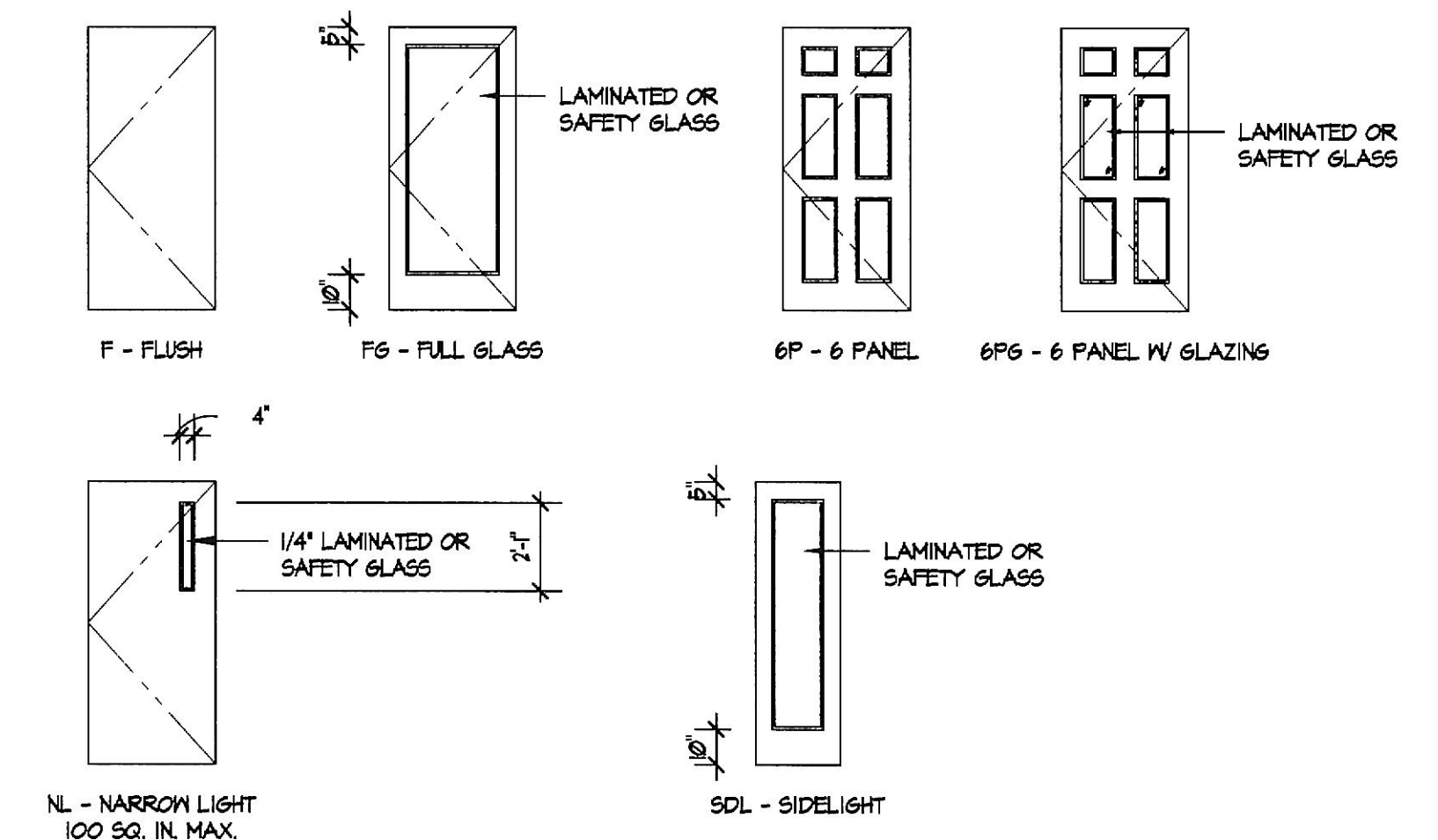
Lorien Nursing - Elkrigde Addition
 7615 Washington Blvd
 Elkrigde, Maryland 21075

DOOR SCHEDULE NOTES

 DATE: April 4, 2019
 SCALE: AS NOTED
 DRAWN:
 JOB: JOB NUMBER
 SHEET: **A7.3**
 OF SHEETS

DOOR SCHEDULE NOTES

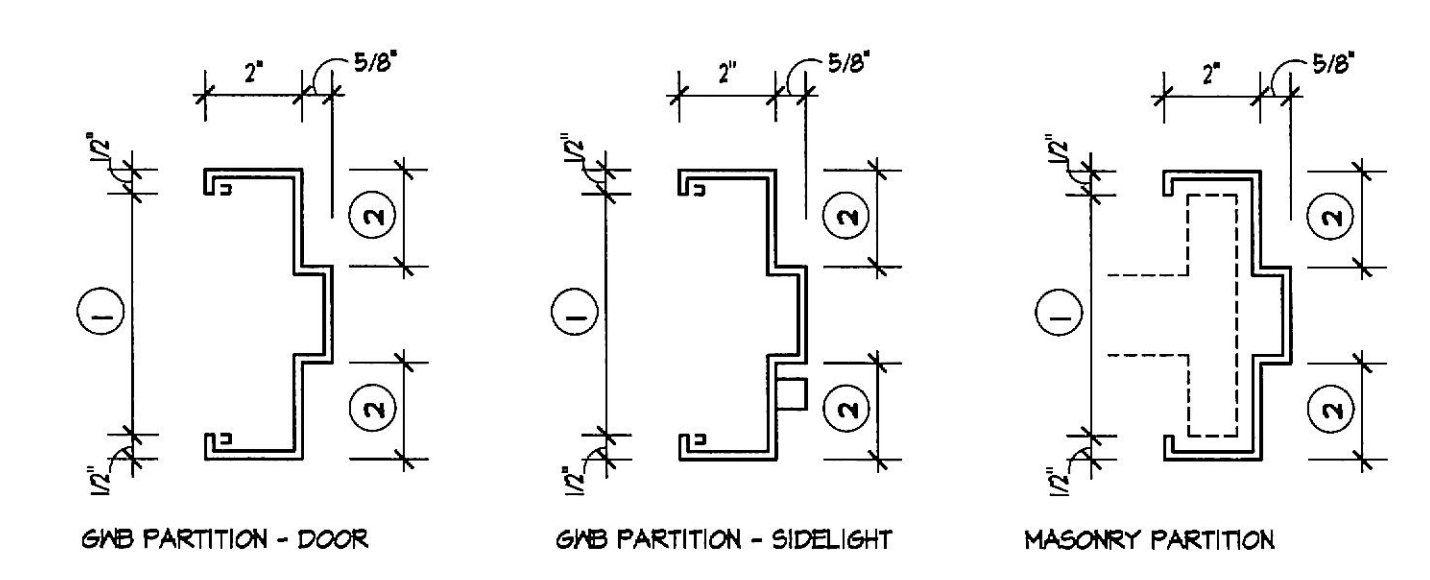
- ① THROAT AND BACKEND DIMENSIONS VARY TO SUIT PARTITION THICKNESS.
- ② RABBET DIMENSION:
1 15/16" FOR 1 3/4" THICK DOORS
1 15/16" FOR VISION PANELS
- ③ ALL GLAZING IN AND ADJACENT TO DOORS SHALL BE LAMINATED OR SAFETY GLASS.
- ④ ALL EXTERIOR HOLLOW METAL DOORS & FRAMES SHALL BE GALVANIZED.
- ⑤ FIRE RESISTANCE (20') DENOTES 20 MINUTE EQUIVALENT CONSTRUCTION.



NOTES:

- 1. ALL GLASS SHALL BE LAMINATED OR SAFETY GLASS IN DOORS AND SIDELIGHTS.
- 2. ALL RATED DOORS SHALL UL LABEL ADHERED AND LEGIBLE.
- 3. EXTERIOR HOLLOW METAL DOORS TO BE GALVANIZED THERMAL INSULATED (R-10) WITH GALVANIZED FRAMES.

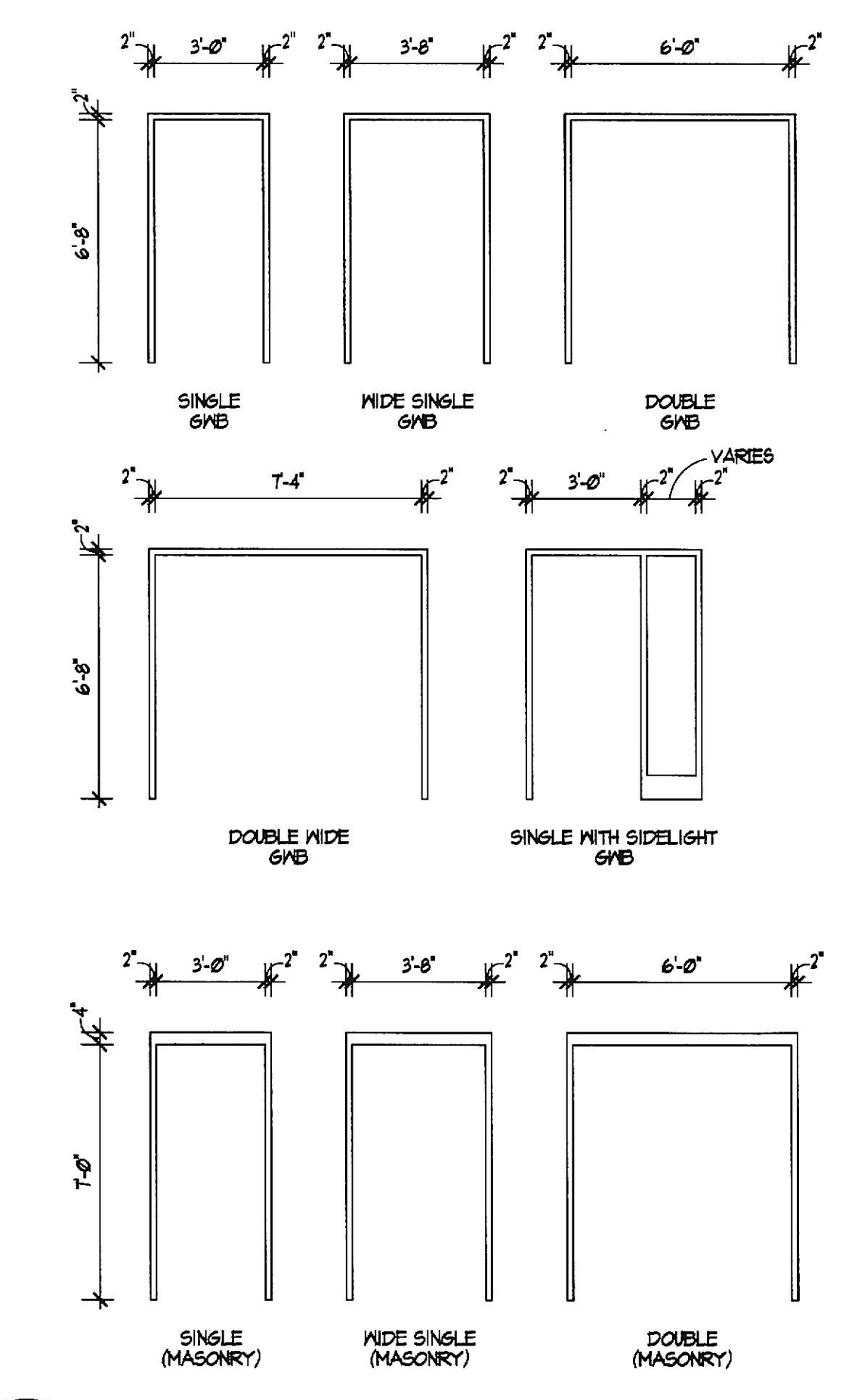
A DOOR TYPES
AT2 1/4" = 1'-0"



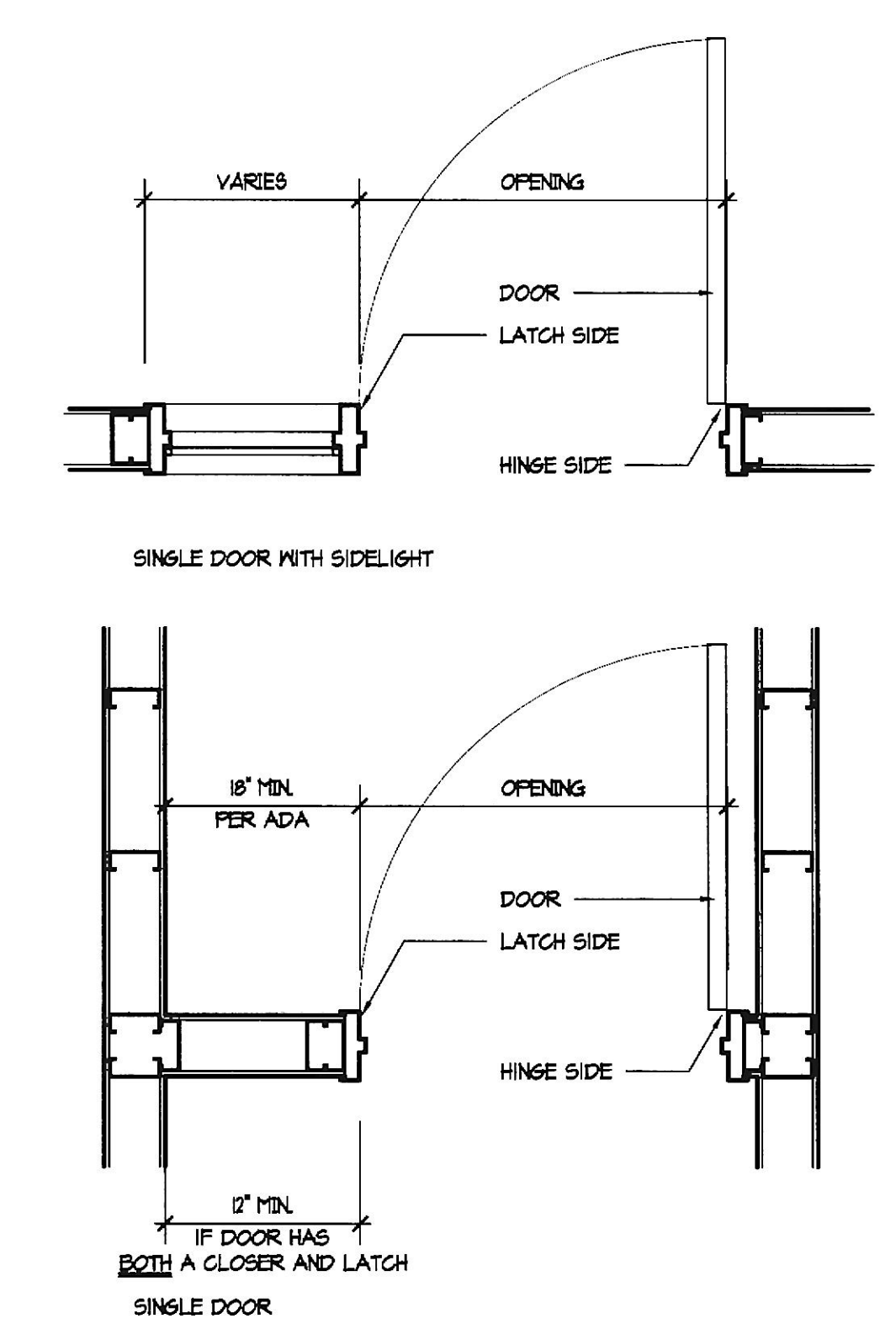
KEYED NOTES

- ① THROAT AND BACKEND DIMENSIONS VARY TO SUIT PARTITION THICKNESS.
- ② RABBET DIMENSION:
1 15/16" FOR 1 3/4" THICK DOORS
1 15/16" FOR VISION PANELS

B FRAME PROFILES
AT2 1" = 1'-0"



C FRAME TYPES
AT2 1" = 1'-0"



D DOOR ARRANGEMENT DETAIL
AT2 3/4" = 1'-0"

