

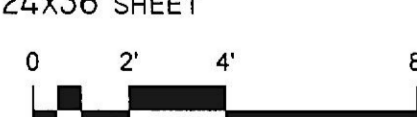
NORRISVILLE DRAFTING
 1950 NEAL ROAD
 PYLESVILLE, MD 21132
 443-617-6352
 NORRISVILLE DRAFTING@GMAIL.COM

GB GRIFFITHS BUILDERS
 443-250-2736
 EDGRIFFITHS@COMCAST.NET

MILLER RESIDENCE
 1312 AINTREE ROAD
 TOWSON, MD 21286

REV. #	DESCRIPTION	DATE
4	REDLINE REVISIONS	2-23-21
5	REDLINE REVISIONS	2-26-21
6	REDLINE REVISIONS	3-3-21
7	REDLINE REVISIONS	4-12-21
8	REDLINE REVISIONS	5-9-21
9	REDLINE REVISIONS	5-17-21

MODEL:	CUSTOM
DRAWN BY:	JAT
DWG DATE:	11/13/20

24x36 SHEET

 SCALE: 1/4" = 1'-0"

SHEET TITLE:
CROSS SECTIONS

SHEET:
A-300



SECTION 1
 SCALE: 1/4" = 1'-0"

PROFESSIONAL CERTIFICATION



"Professional Certification. I hereby certify that these documents were prepared or approved by me, and that I am a duly licensed professional engineer under the laws of the State of Maryland, License No. 15453, Expiration Date: July 2, 2023."

GEOFFREY A. TIZARD, II, P.E.
 5 LEADBURN COURT
 TOWSON, MARYLAND 21204