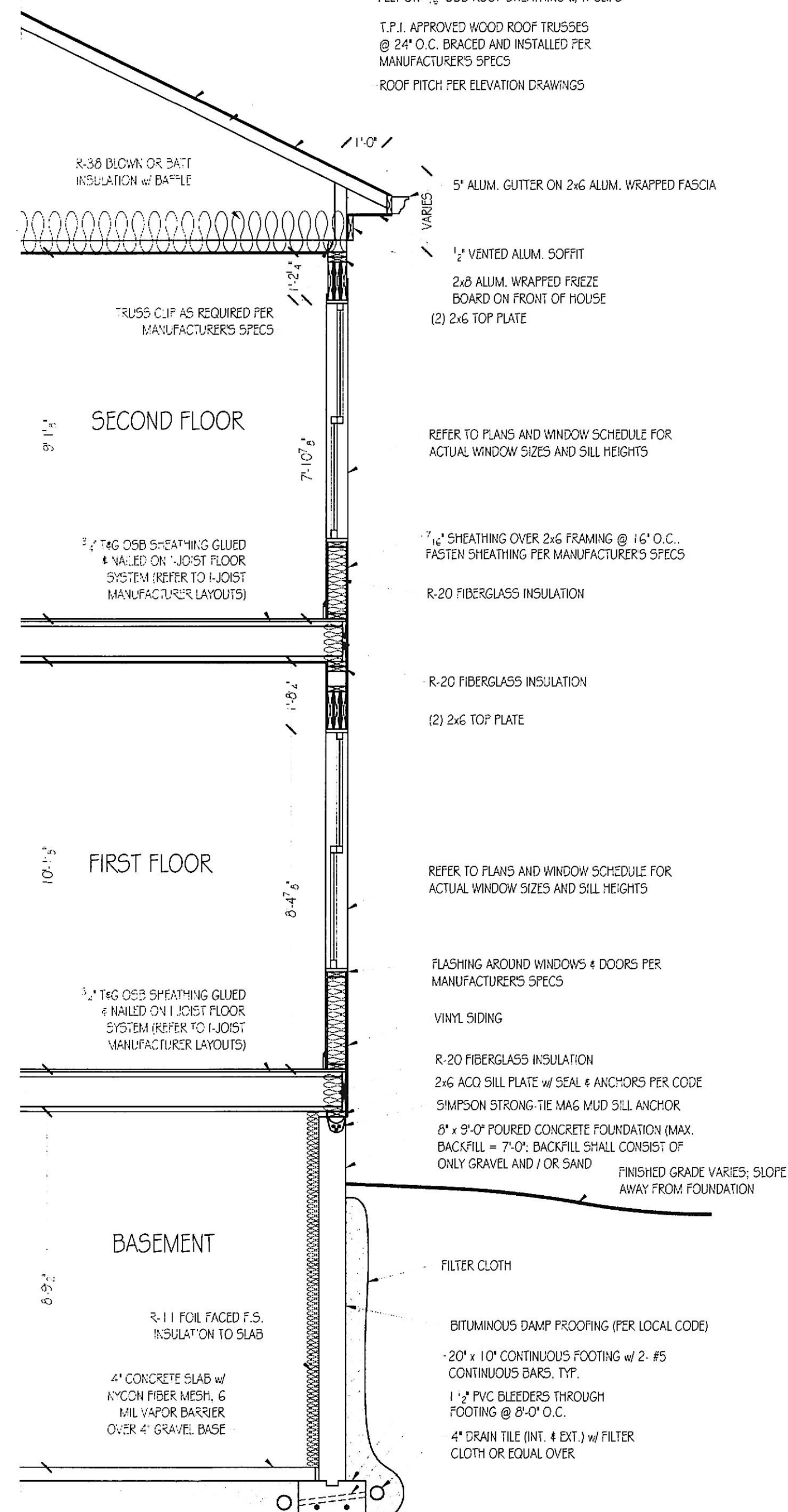
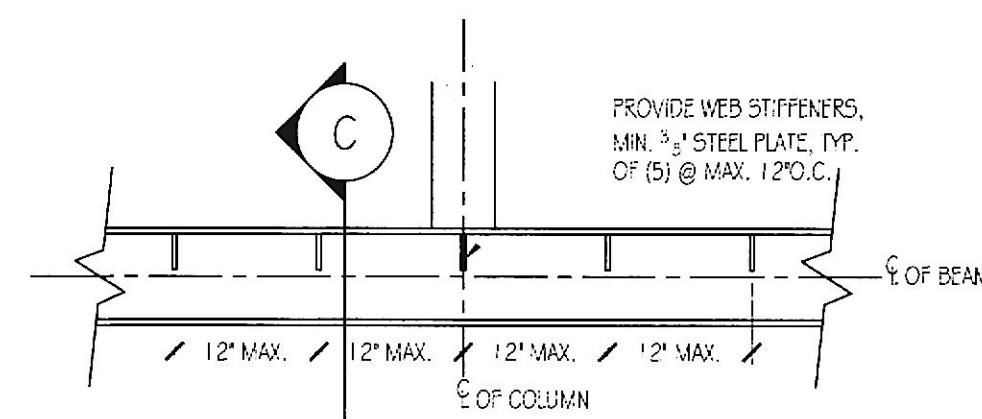


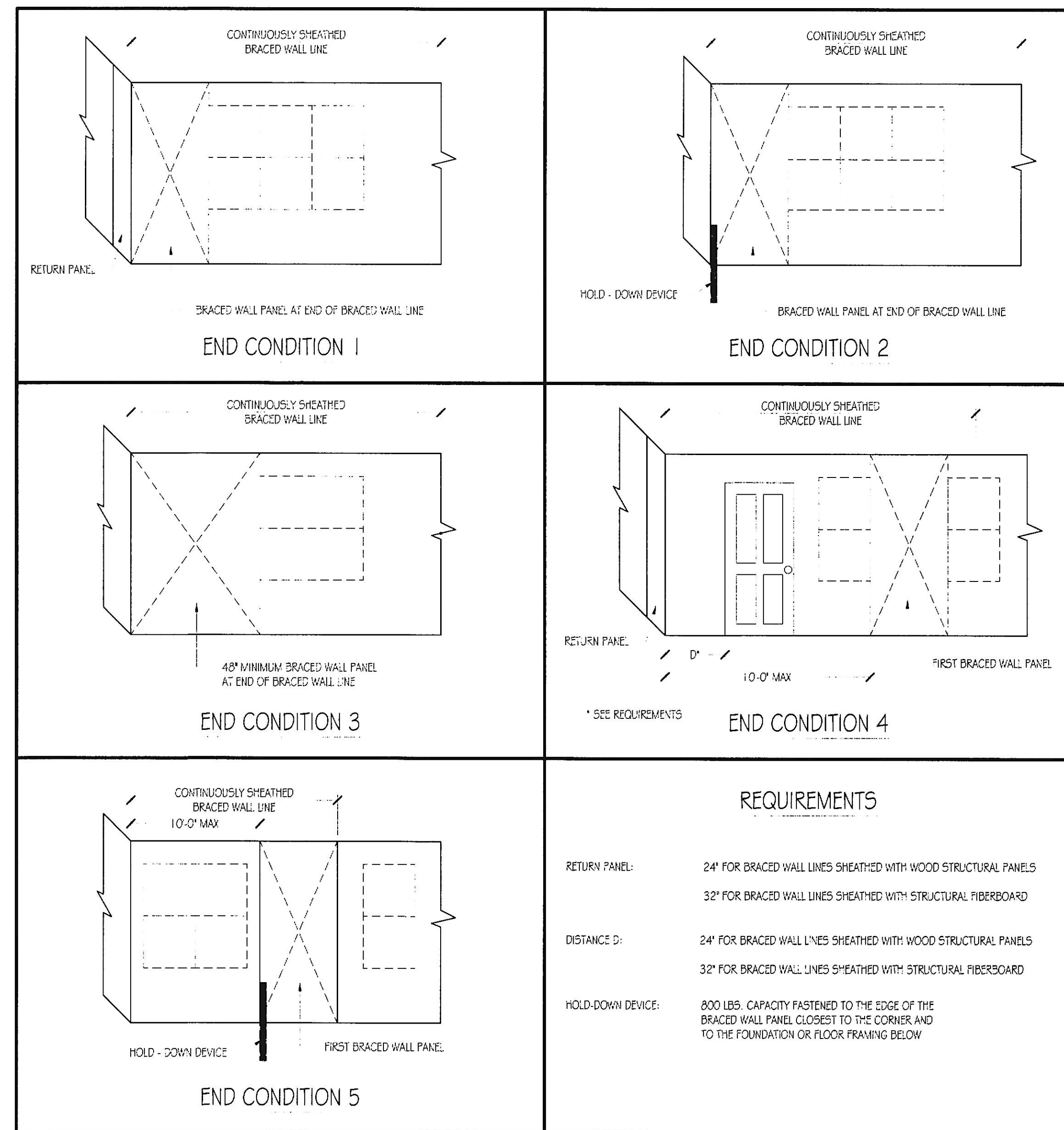
30 YEAR FIBERGLASS SHINGLES ON 1/4" ROOF FELT ON 7/8" OSB ROOF SHEATHING w/ H-CLIPS  
 T.P.I. APPROVED WOOD ROOF TRUSSES @ 24" O.C. BRACED AND INSTALLED PER MANUFACTURER'S SPECS  
 ROOF PITCH PER ELEVATION DRAWINGS



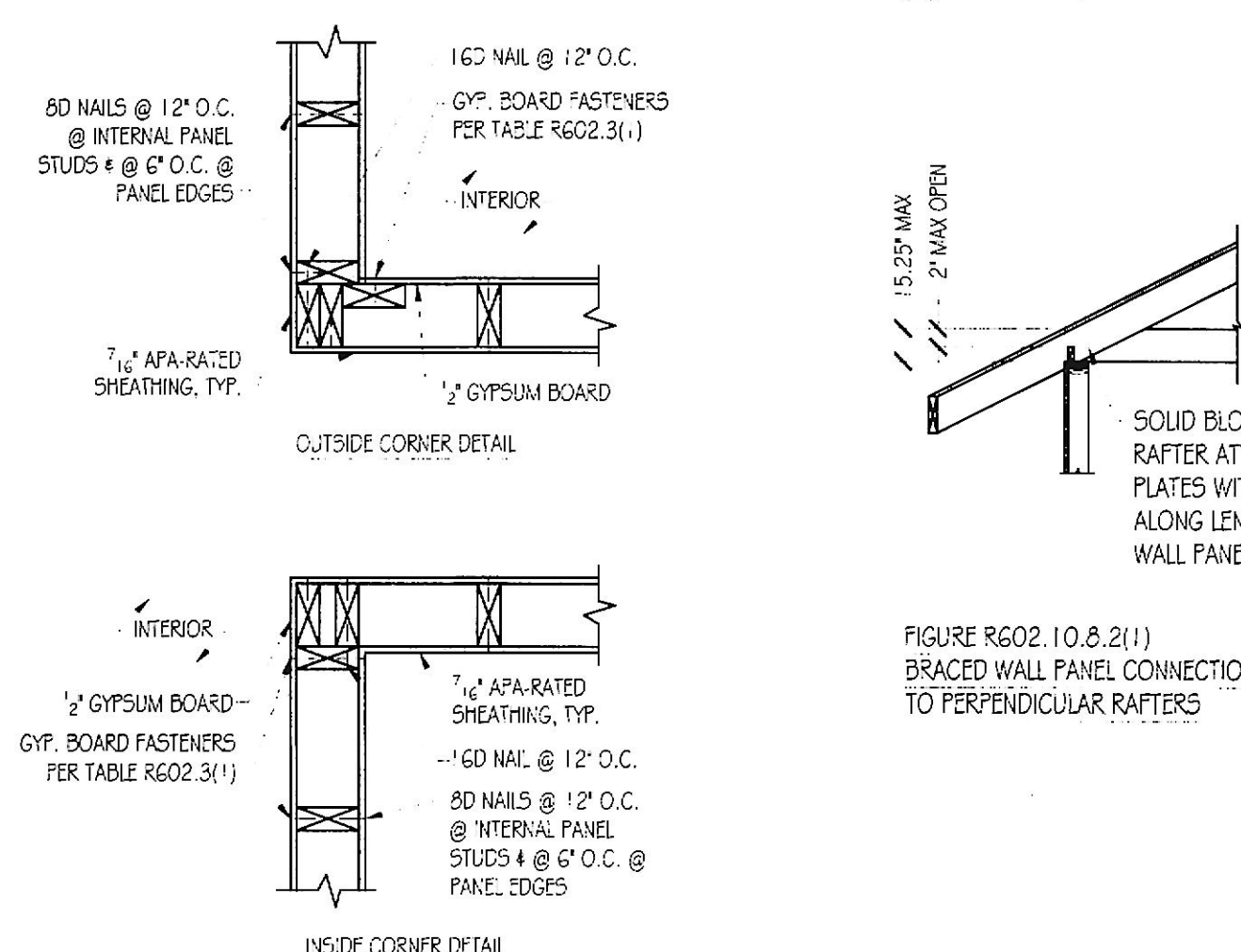
1 TYP. WALL SECTION  
 SCALE: 3/8" = 1'-0"



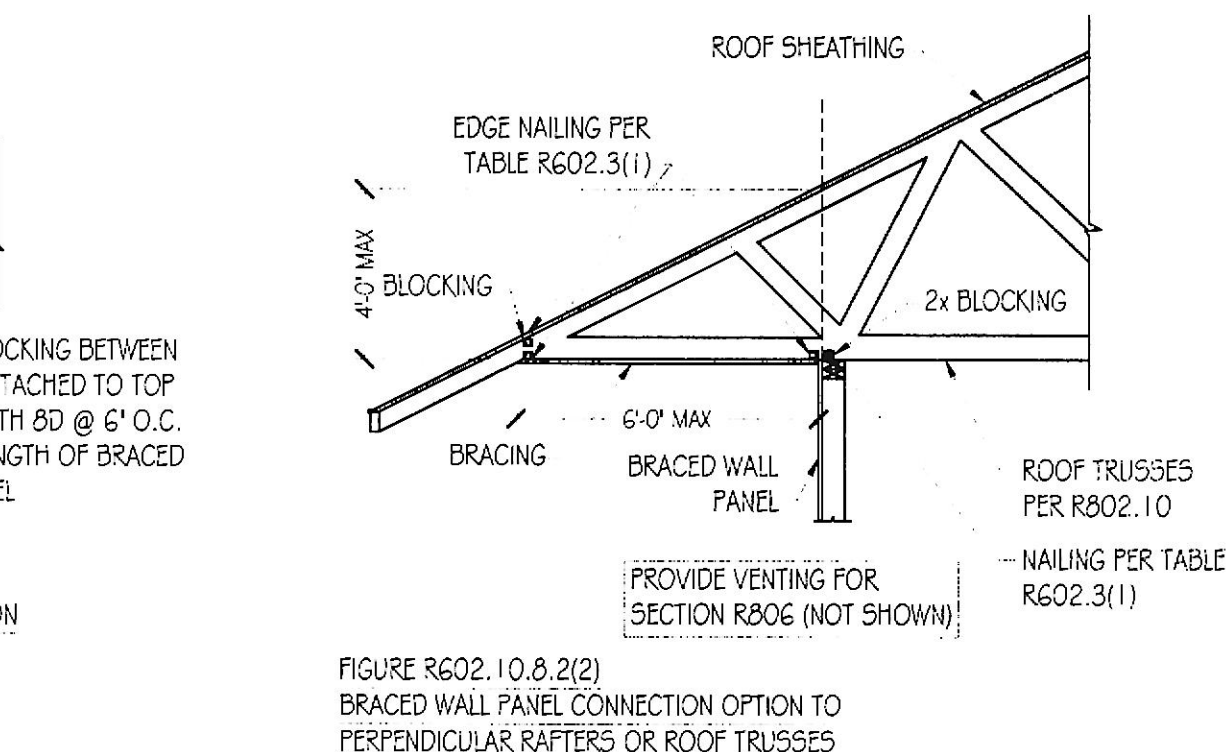
2 STEEL BEAM WEB STIFFENER  
 SCALE: 3/4" = 1'-0"



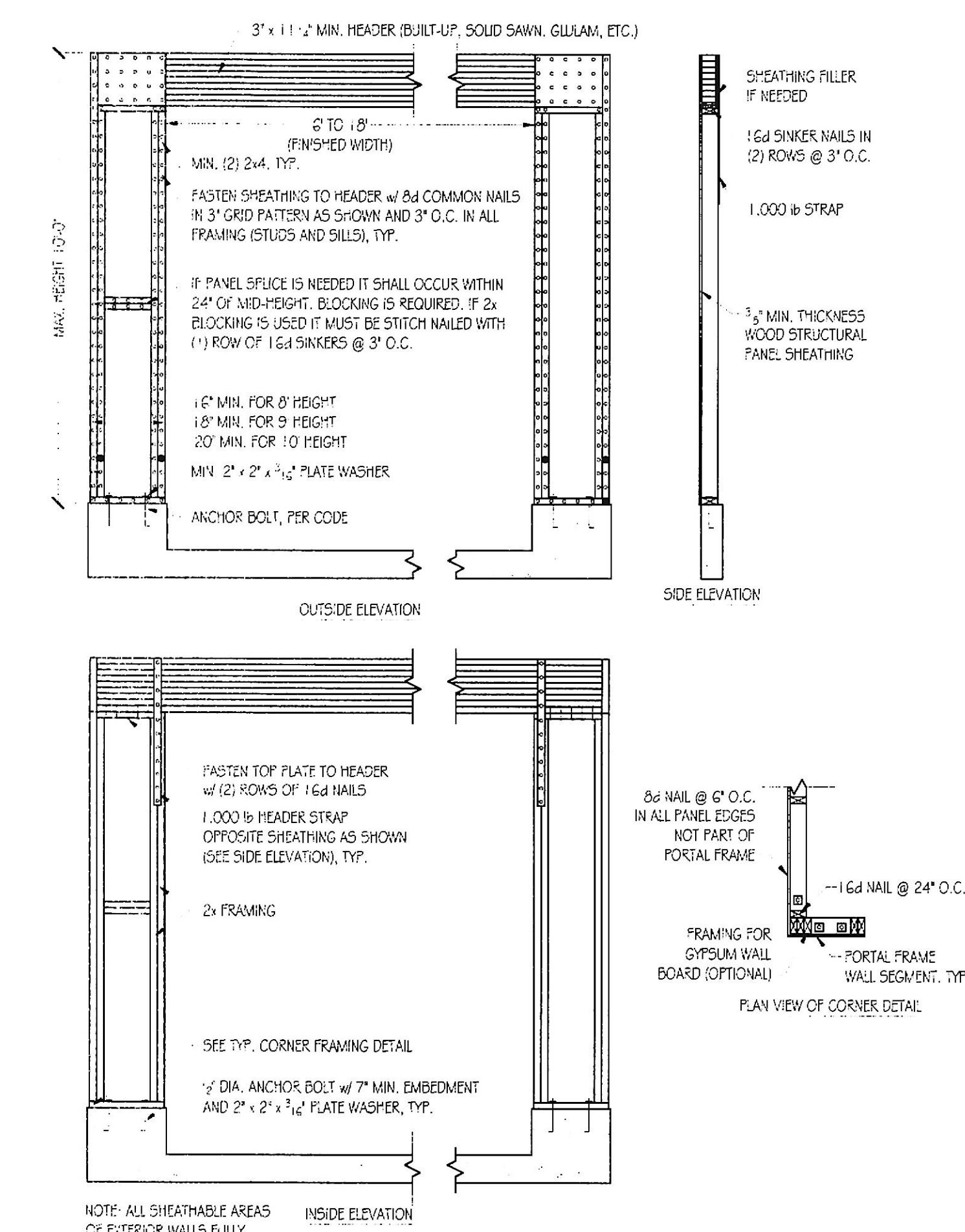
3 CORNER CONDITIONS  
 SCALE: 3/4" = 1'-0"



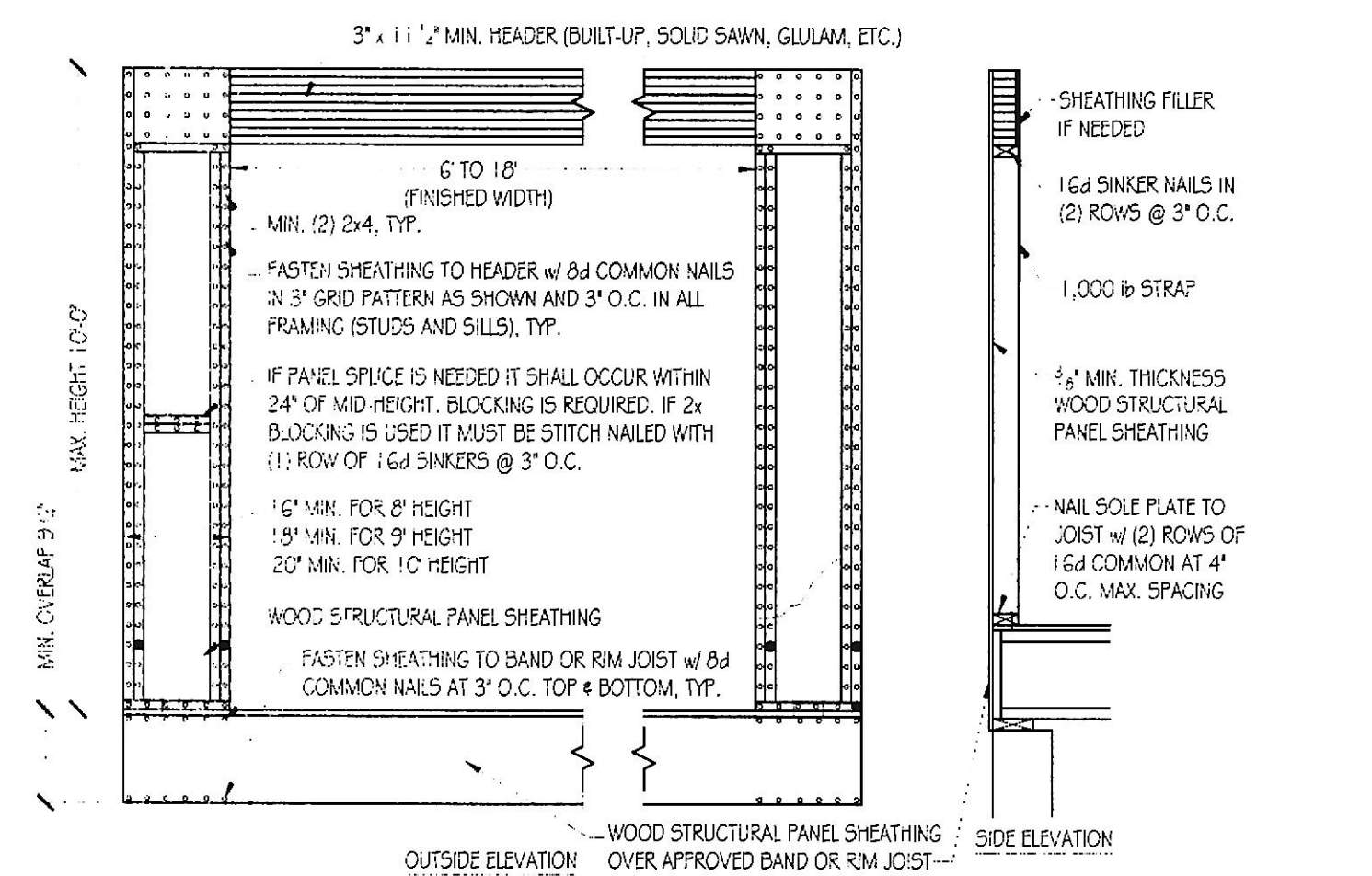
5 TYP. CORNER FRAMING DETAIL WITH FASTENERS  
 SCALE: N.T.S.



6 ROOF CONNECTIONS  
 SCALE: 3/4" = 1'-0"

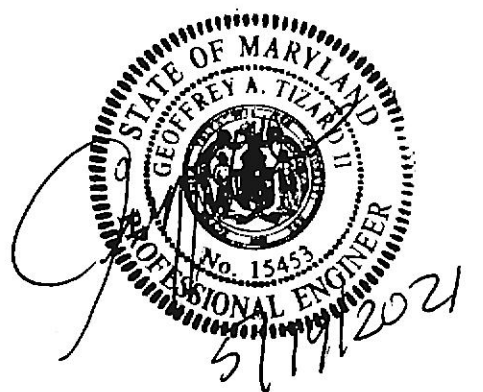


4 TYP. CONTINUOUSLY SHEATHED PORTAL FRAMED PANEL OVER CONCRETE OR MASONRY DETAIL  
 SCALE: N.T.S.



7 TYP. CONTINUOUSLY SHEATHED PORTAL FRAMED PANEL OVER WOOD FLOOR DETAIL  
 SCALE: N.T.S.

PROFESSIONAL CERTIFICATION



"Professional Certification. I hereby certify that these documents were prepared or approved by me, and that I am a duly licensed professional engineer under the laws of the State of Maryland. License No. 15453, Expiration Date: July 2, 2023."

GEOFFREY A. TIZARD, II, P.E.  
 5 LEADBURN COURT  
 TOWSON, MARYLAND 21204

NORRISVILLE DRAFTING  
 1950 NEAL ROAD  
 PYLESVILLE, MD 21132  
 443-617-6352  
 NORRISVILLE DRAFTING@GMAIL.COM

GB GRIFFITHS BUILDERS  
 443-250-2736  
 EDGRIFFITHS@COMCAST.NET

MILLER RESIDENCE  
 1312 AINTREE ROAD  
 TOWSON, MD 21286

REV #	DESCRIPTION	DATE
4	REDLINE REVISIONS	2-25-21
5	REDLINE REVISIONS	2-26-21
6	REDLINE REVISIONS	3-3-21
7	REDLINE REVISIONS	4-12-21
8	REDLINE REVISIONS	5-9-21
9	REDLINE REVISIONS	5-17-21

MODEL: CUSTOM  
 DRAWN BY: JAT  
 DWG DATE: 11/13/20

24x36 SHEET  
  
 SCALE: 1/4" = 1'-0"

SHEET TITLE:

DETAILS

SHEET:

D-200