

GNP Inc
AutoCAD
REVIT
Drawings

ICF CONSTRUCTION
1-800-713-7663
MID-ATLANTIC REGION



www.gnphouse.com

RESIDENCE FOR:
THORNE RESIDENCE
21629 Keeney Rd
Parkton, Maryland 21120



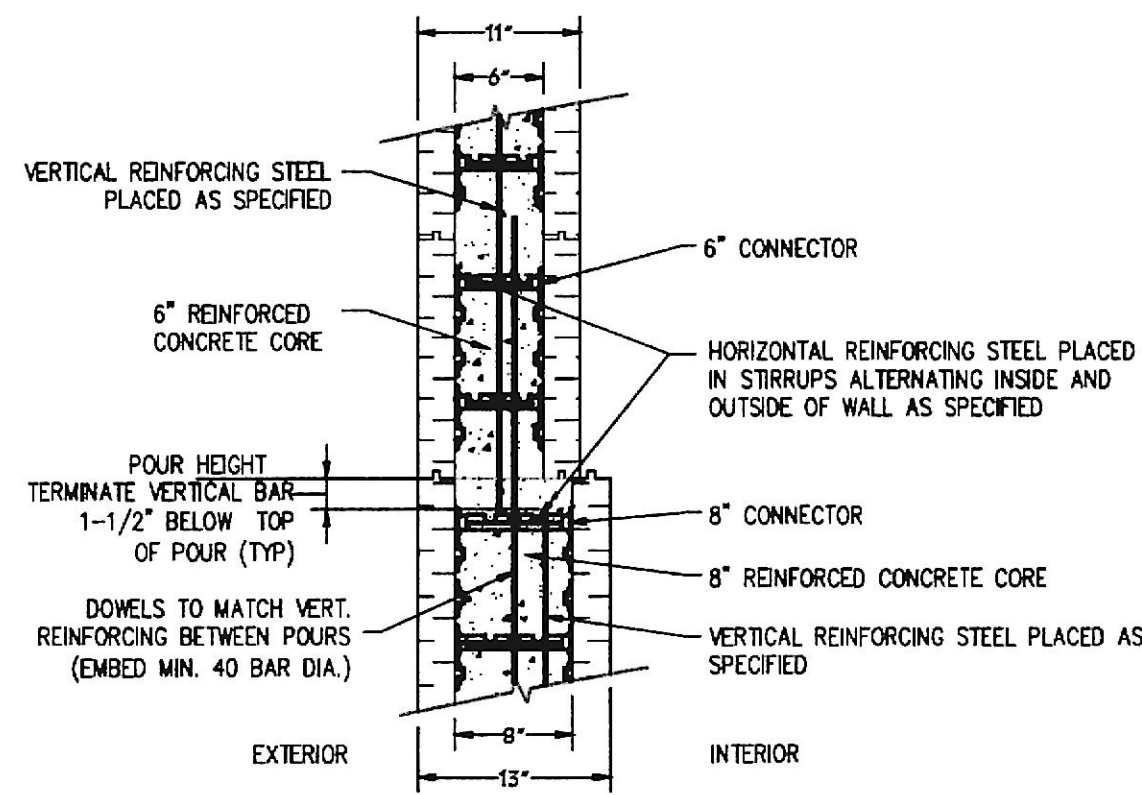
Owner
Project Name
ICF Wall Design
Details

Project number 2021-572
Date 2-3-2021
Drawn by Author
Checked by Checker

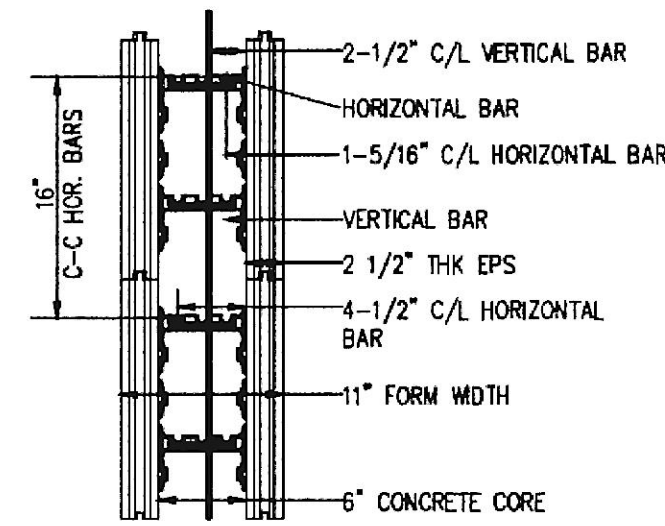
S-001

Scale

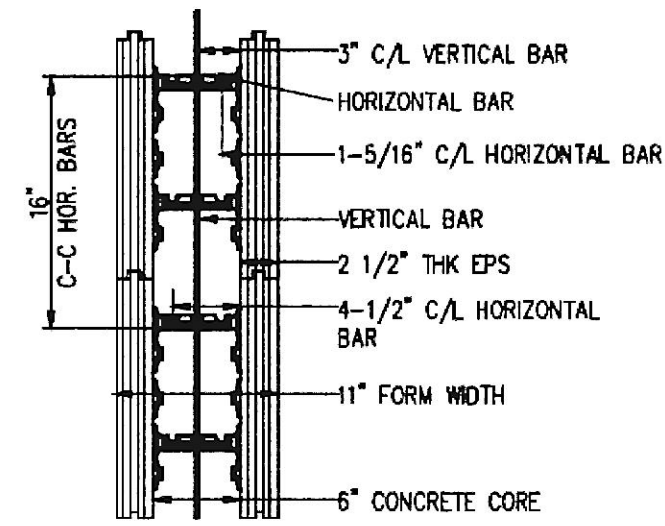
3/11/2021 8:34:39 AM



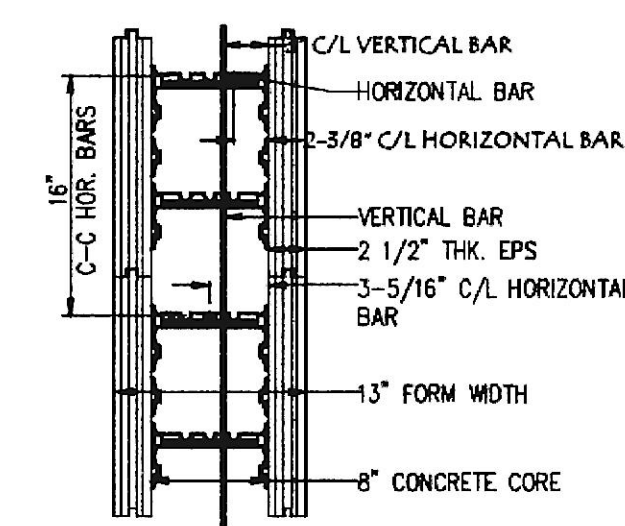
8" Form To 6" Form
Form Transition



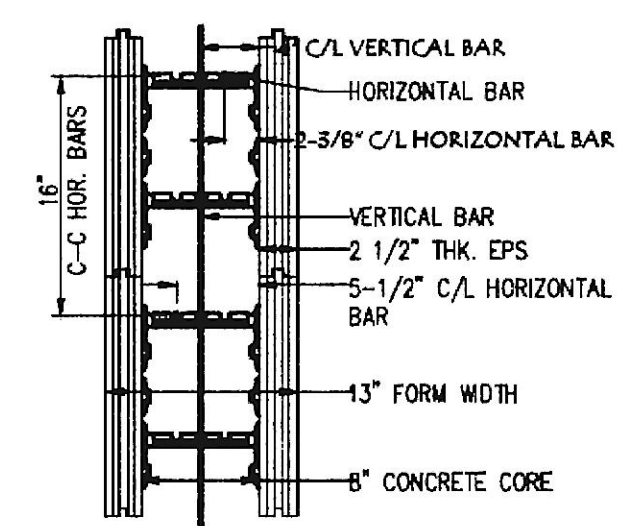
6" Form
REINFORCING BAR PLACEMENT



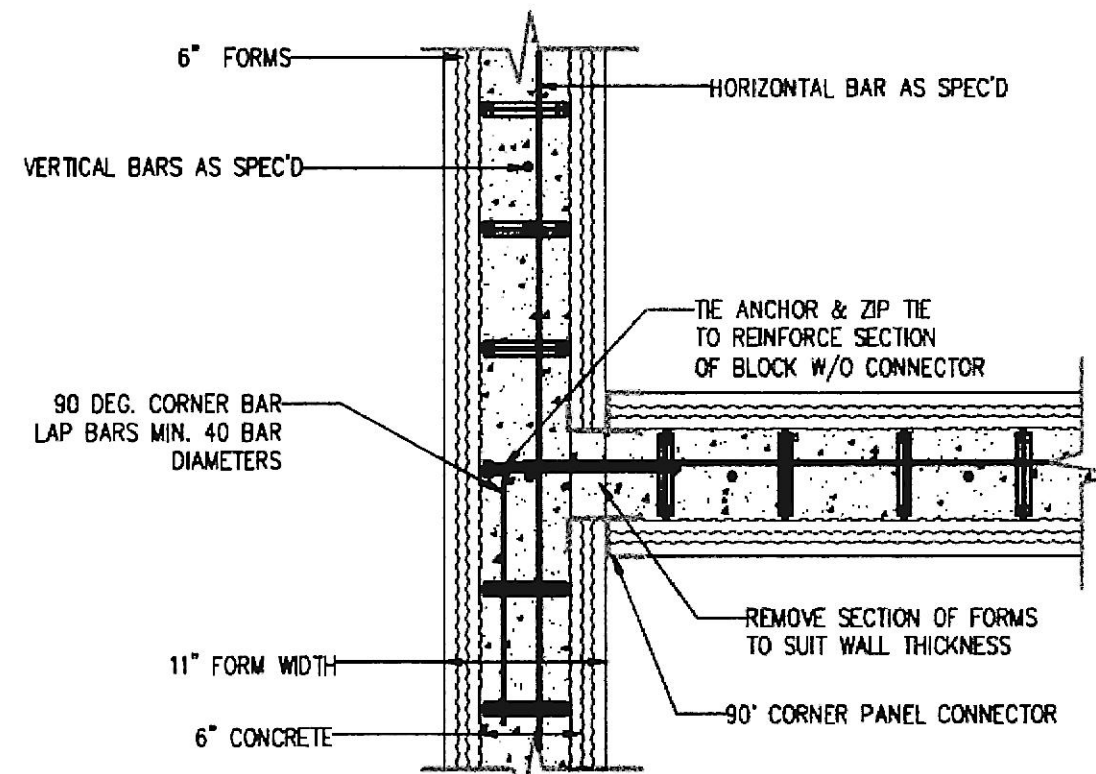
6" Form
REINFORCING BAR PLACEMENT



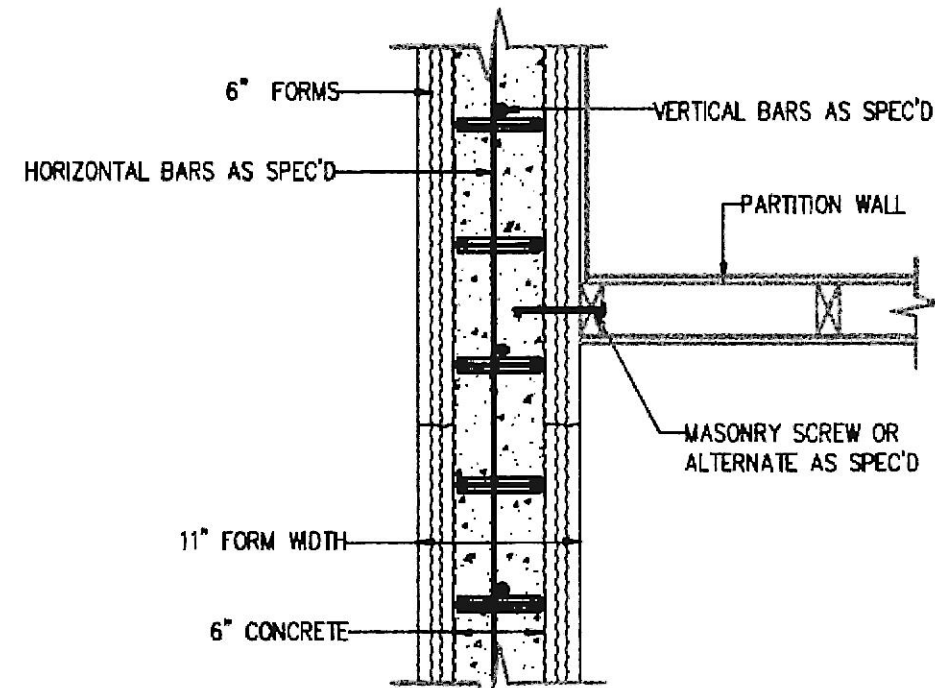
8" Form
REINFORCING BAR PLACEMENT



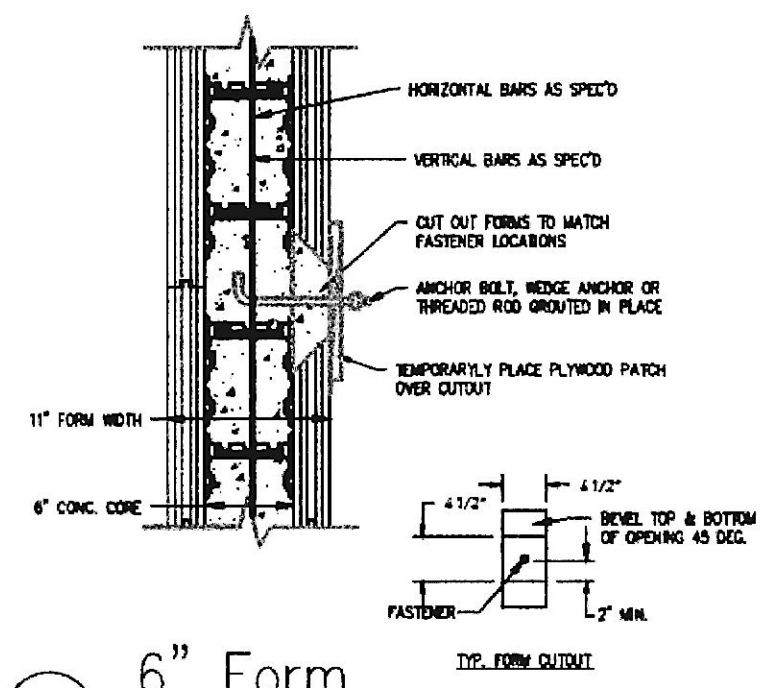
8" Form
REINFORCING BAR PLACEMENT



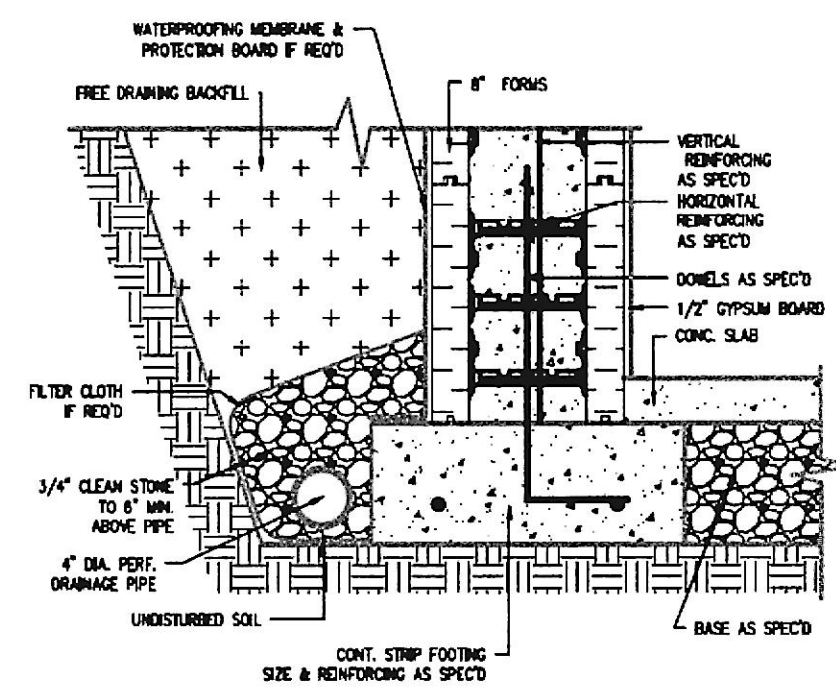
6" Form
T - WALL



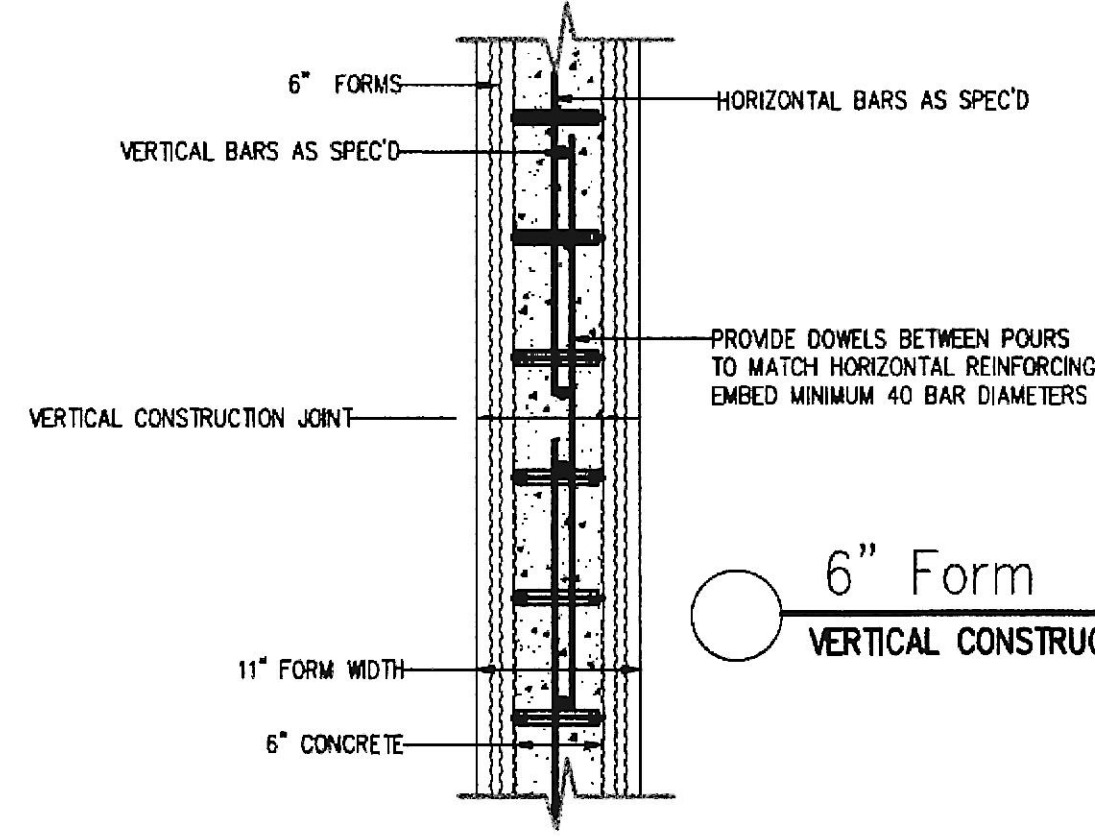
6" Form
INTERIOR PARTITION WALL



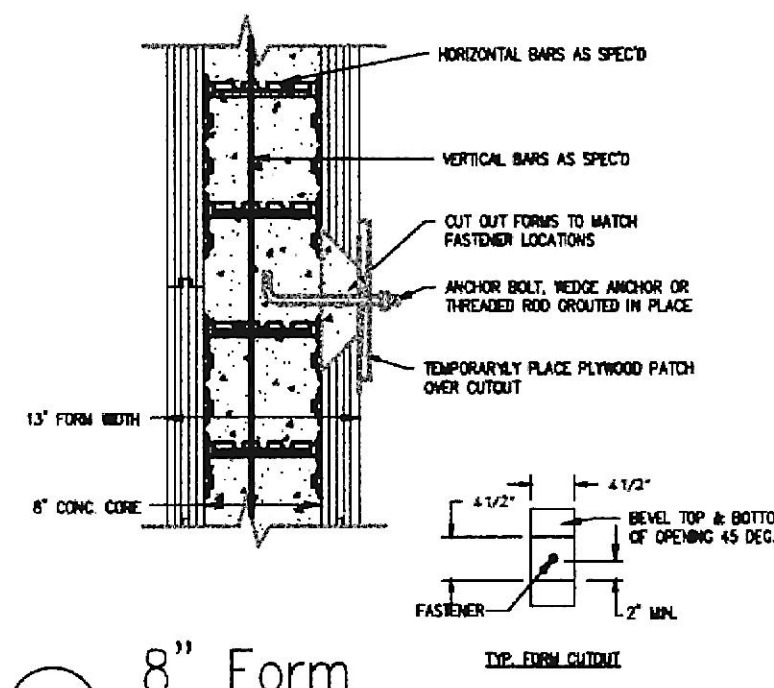
6" Form
WALL MOUNTED FIXTURE ATTACHMENT
HEAVY LOAD



8" Form
FOOTING DETAIL



6" Form
VERTICAL CONSTRUCTION JOINT



8" Form
WALL MOUNTED FIXTURE ATTACHMENT
HEAVY LOAD