

STUD SIZE	D ₁ (MAX.)	D (MAX.)	E (MIN.)	H (MAX.)
2x4 (W=3.5")	7/8"	1 1/8"	5/8"	2 1/2"
2x6 (W=5.5")	1 1/8"	2 1/8"	5/8"	2 1/2"

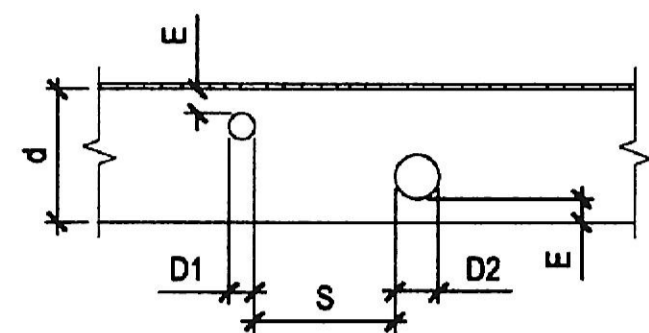
LOAD-BEARING STUD WALLS

NOTES:

1. THESE LIMITS ARE IN GENERAL ACCORDANCE WITH THE 2015 IRC. NOTCHES OR HOLES THAT DO NOT MEET THESE REQUIREMENTS, INCLUDING ALL CONDITIONS WHERE THREE OR MORE MEMBERS IN A ROW ARE CUT, OR WHEN CUT MEMBERS SUPPORT MORE THAN ONE LEVEL, MUST BE SUBMITTED TO THE STRUCTURAL ENGINEER FOR REVIEW.
2. ALL BORED HOLES WITH AN EDGE DISTANCE LESS THAN THE DIMENSION "E" NOTED ABOVE SHALL BE REINFORCED WITH SIMPSON "SS" STUD SHOES (OR APPROVED EQUAL), WHERE BORED HOLES PROVIDE PASSAGE FOR PIPING, SIMPSON NS2 (OR APPROVED EQUAL) SHALL BE PROVIDED FOR CODE-REQUIRED PROTECTION.
3. * EDGE NOTCH HEIGHT, "H", IS LIMITED BY THE METAL STUD SHOE DIMENSION PER SIMPSON.
4. GENERAL NOTATION: D = DIAMETER, OF BORED HOLE D₁ = NOTCH DEPTH, H = NOTCH HEIGHT, L_x = NOTCH LENGTH, E = EDGE DISTANCE, d = JOIST DEPTH, W = STUD DEPTH

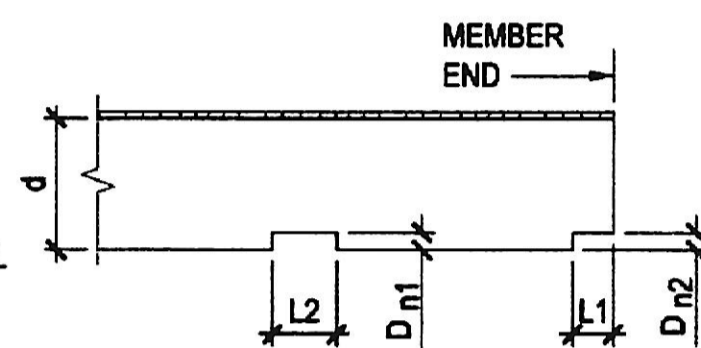
1 SAWN LUMBER NOTCH & HOLE LIMITS

S300 SCALE: N.T.S.



- NOTES:**
1. D = d/3 (MAX.)
 2. E = 2" (MIN.)
 3. S = 2" (MIN.)

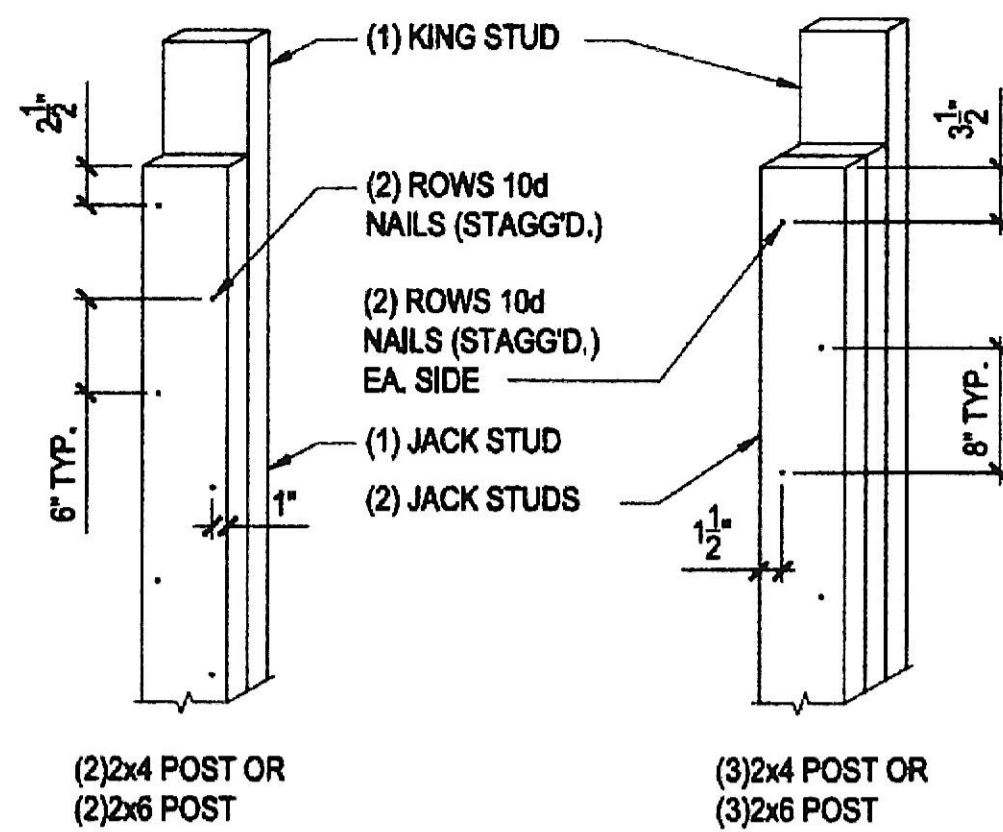
BORED HOLE



- NOTES:**
1. D₁ = d/6 (MAX.), = d/4 (MAX.) @ END
 2. L_x = d/3 (MAX.)
 3. NO NOTCHES PERMITTED IN CENTER 1/3 OF SPAN.

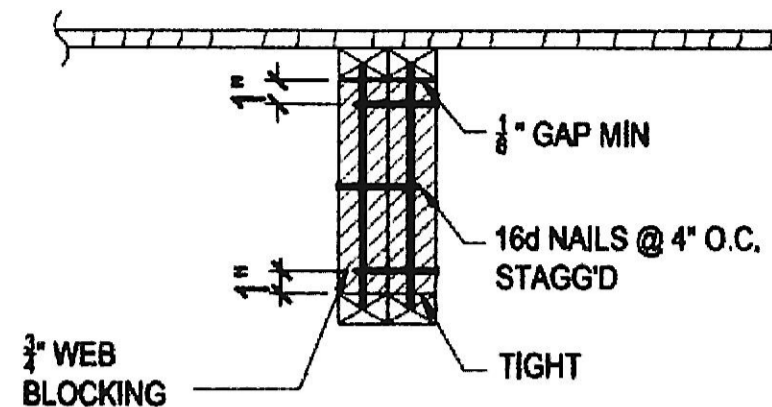
EDGE NOTCH

SOLID JOISTS, RAFTERS, & BEAMS



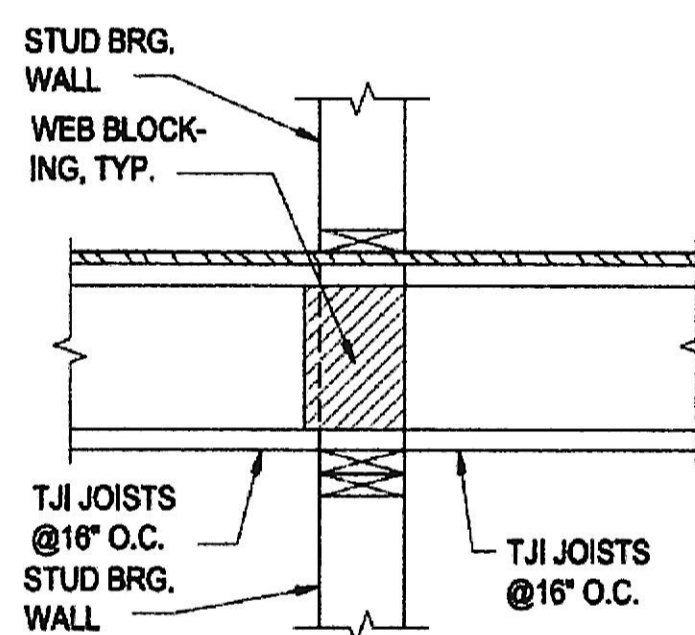
2 TYP. NAILING SCHEDULE FOR 2x BUILT UP POSTS

S300 SCALE: 1"=1'-0"



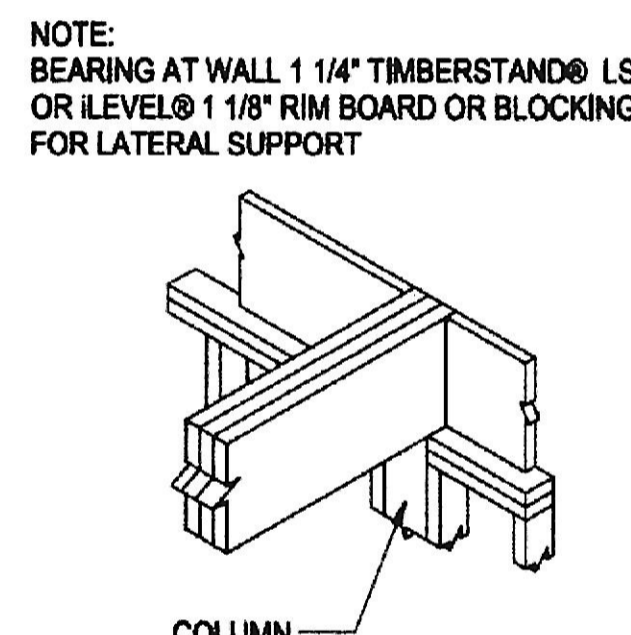
3 TYP. TJI/230 BLOCKING DET. FOR DOUBLE JOIST

S300 SCALE: 1 1/2"=1'-0"



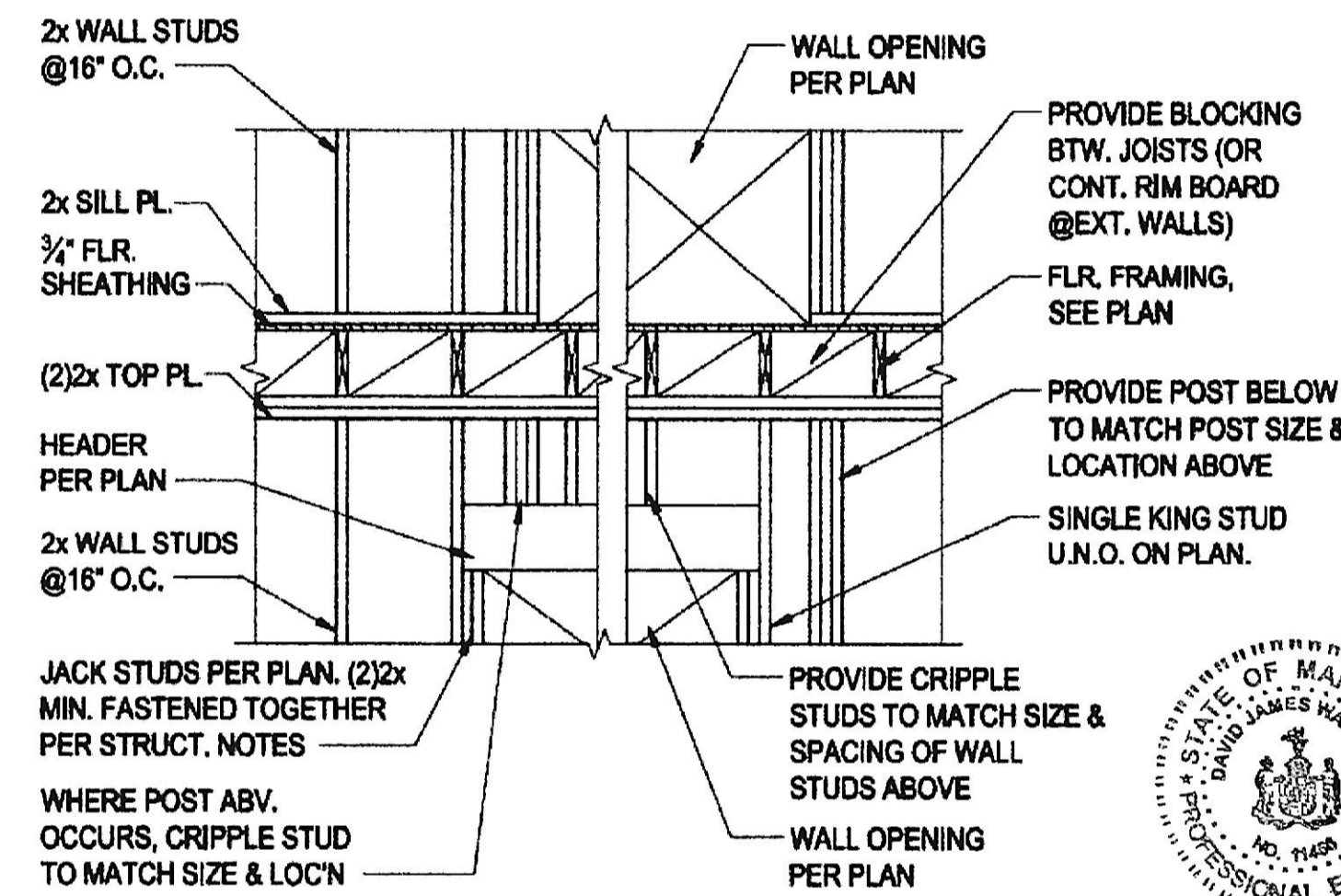
4 TYP. TJI BRG. DETAIL

S300 SCALE: 1"=1'-0"



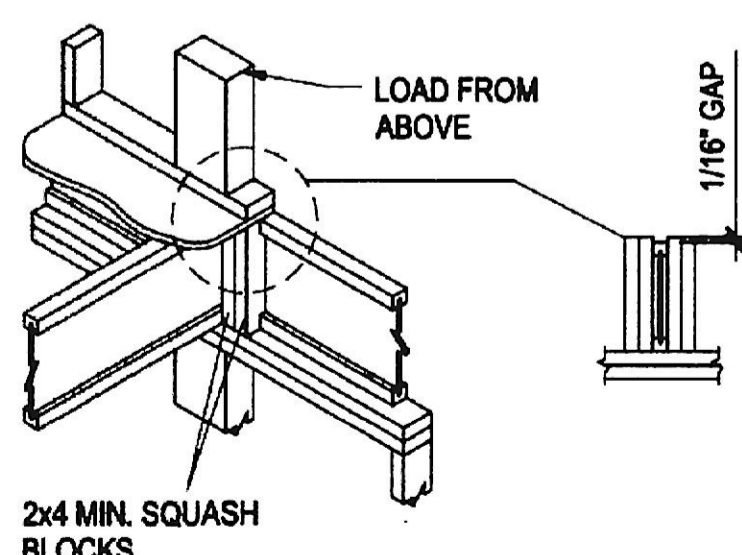
5 TYP. BEARING @WALL

S300 SCALE: 1/2"=1'-0"



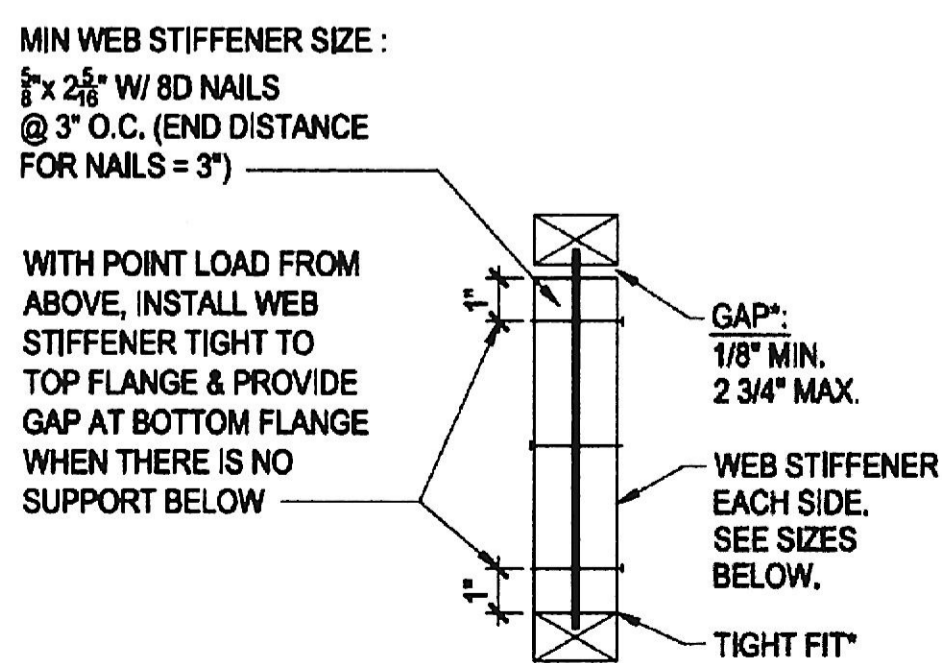
6 TYP. DROPPED HEADER DET.

S300 SCALE: 1/2"=1'-0"



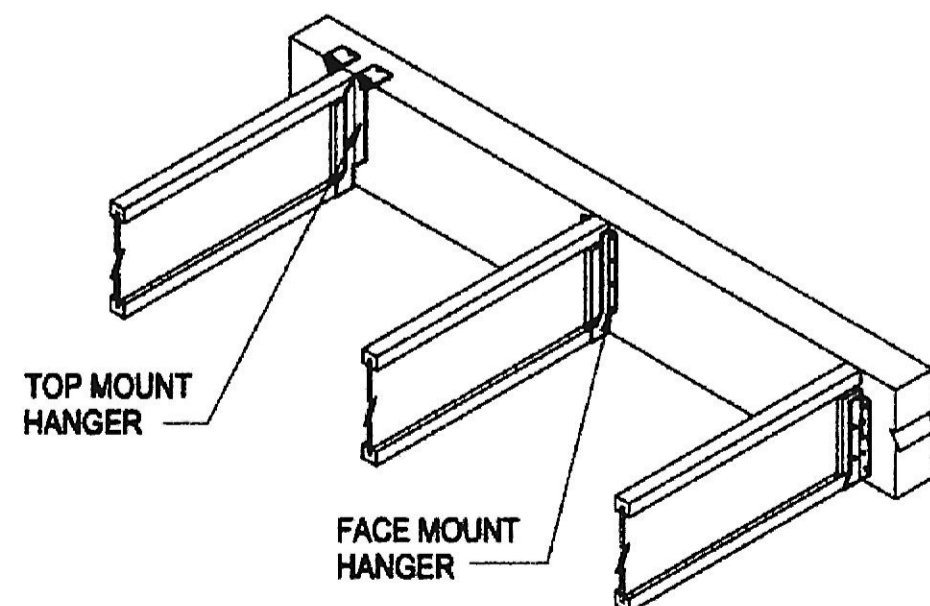
7 TYP. POST UP/DN DET.

S300 SCALE: 1/2"=1'-0"



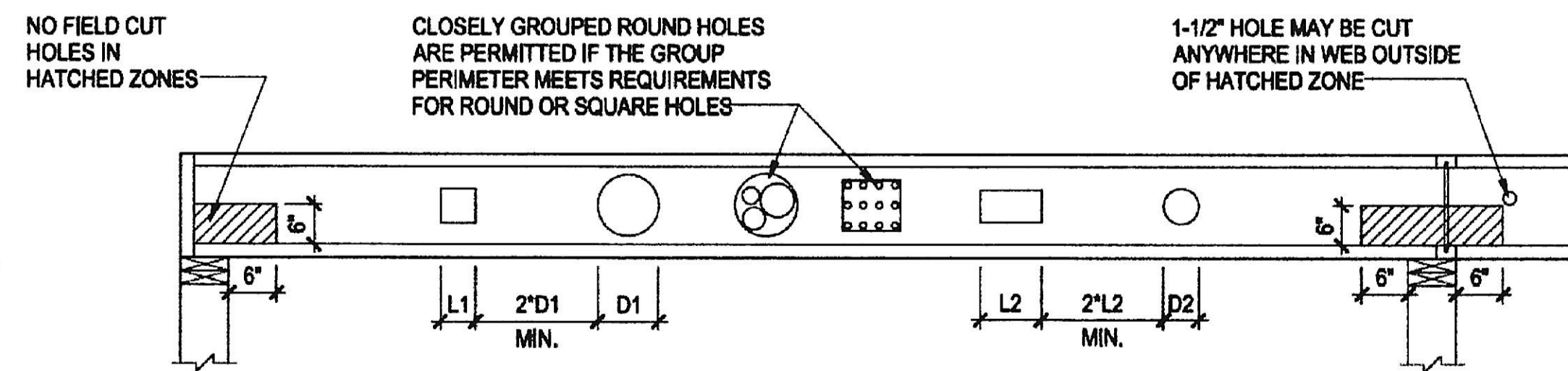
8 WEB STIFFENERS FOR TJI JOISTS

S300 SCALE: N.T.S.



9 TYP. WEB BLOCKING @JOIST HANGER

S300 SCALE: 1/2"=1'-0"



- NOTES:**
- 1) DO NOT CUT HOLES LARGER THAN 1-1/2" IN CANTILEVER
 - 2) ALLOWABLE PENETRATIONS SUITABLE ONLY FOR WEYERHAEUSER TJI PRODUCTS. CONTRACTOR TO SUPPLY ALLOWABLE PENETRATION CUTSHEET FOR SUBSTITUTIONS

10 ALLOWABLE PENETRATIONS IN TJI JOIST FLOOR FRAMING

S300 SCALE: 1/2"=1'-0"

Professional Certification. I hereby certify that these documents were prepared or approved by me, and that I am a duly licensed professional engineer under the laws of the state of Maryland, License No. 23310. Expiration Date: 7/9/2018.

GNP Inc
AutoCAD
REVIT
Drawings

ICF CONSTRUCTION
1-800-713-7663
MID-ATLANTIC REGION



www.gnphouse.com

RESIDENCE FOR:
THORNE RESIDENCE
21629 Keeney Rd
Parkton, Maryland 21120

Owner
Project Name
General Framing
Notes pg2

Project number 2021-572
Date 2-3-2021
Drawn by Author
Checked by Checker

S-004

Scale