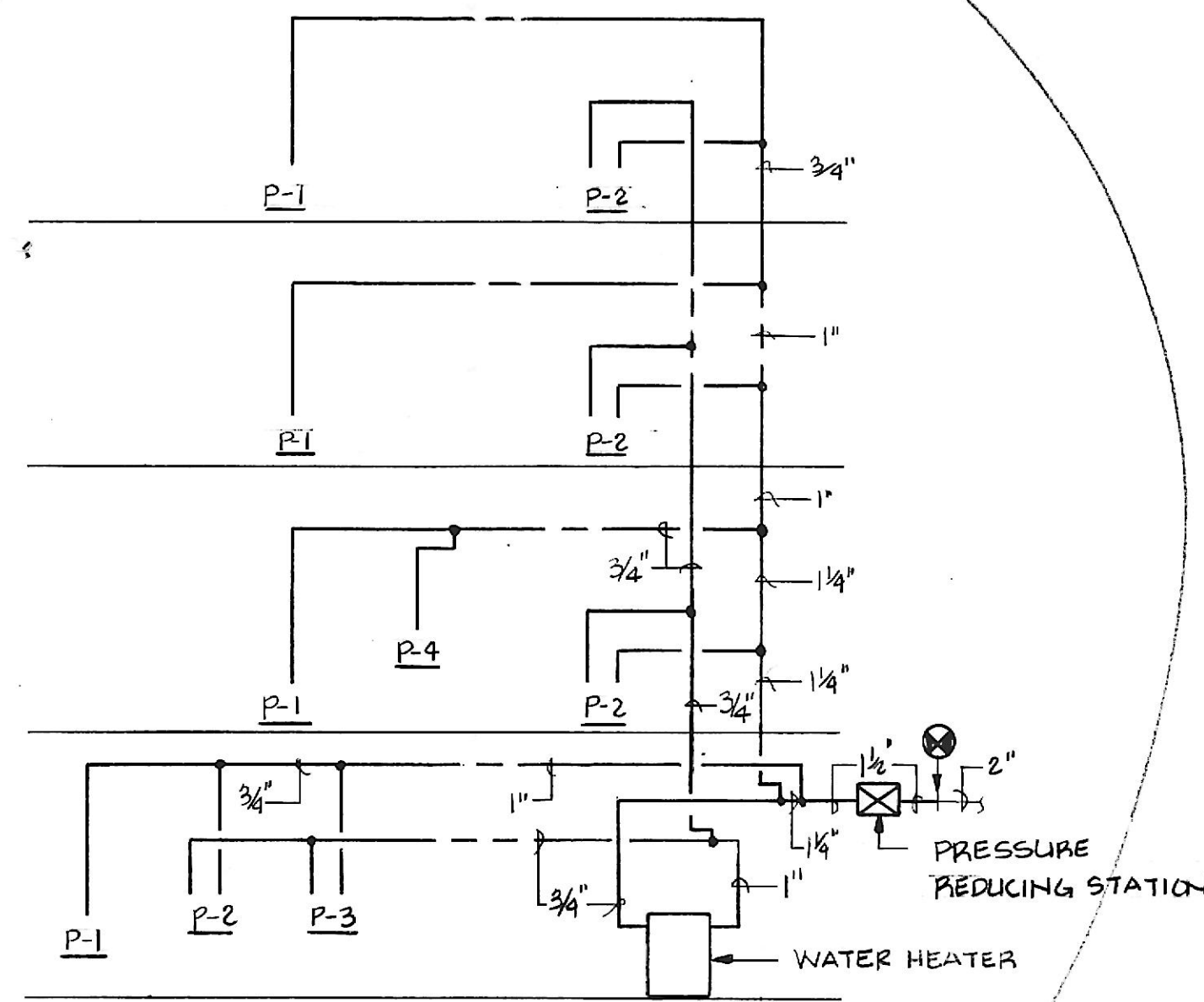


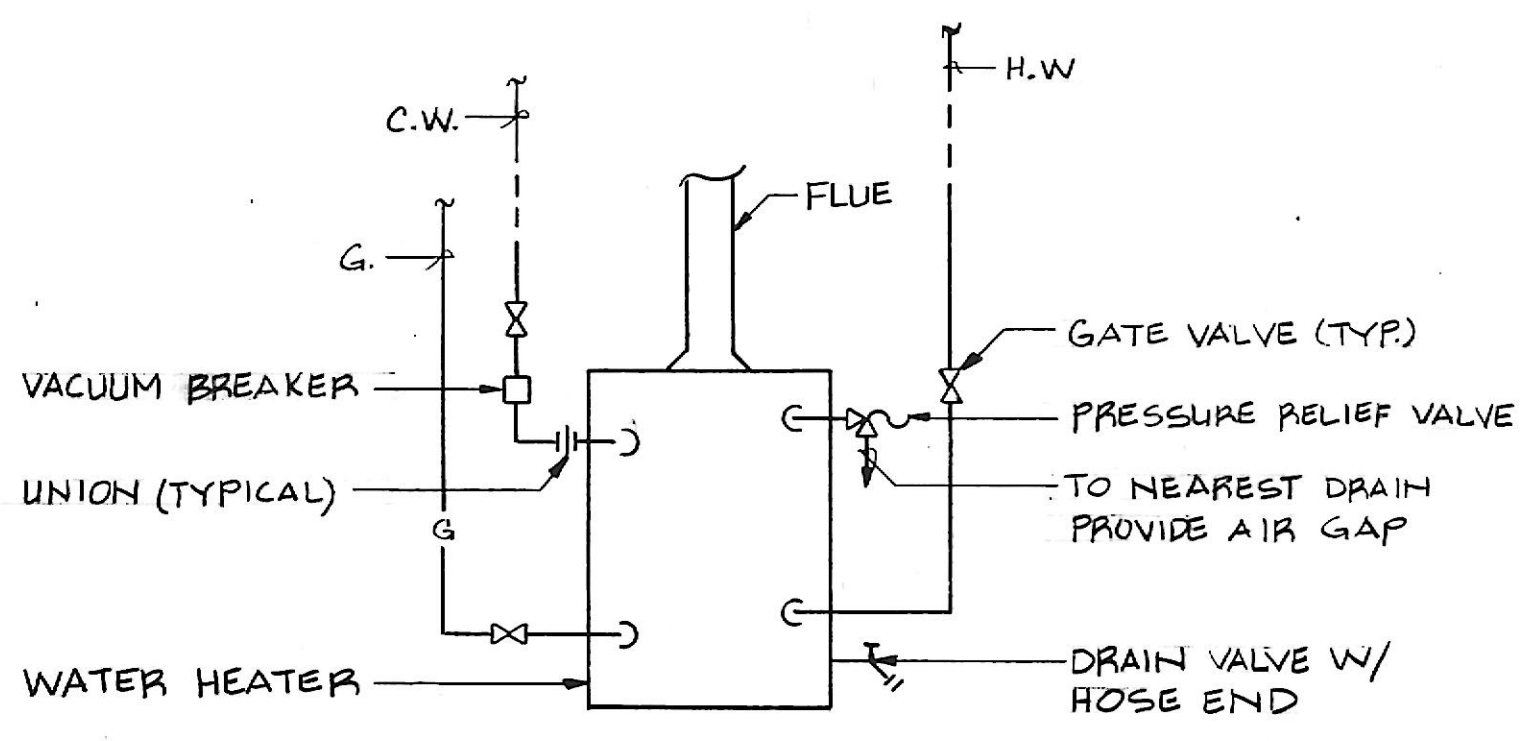
SANITARY & VENT RISER DIAGRAM
SCALE: NONE



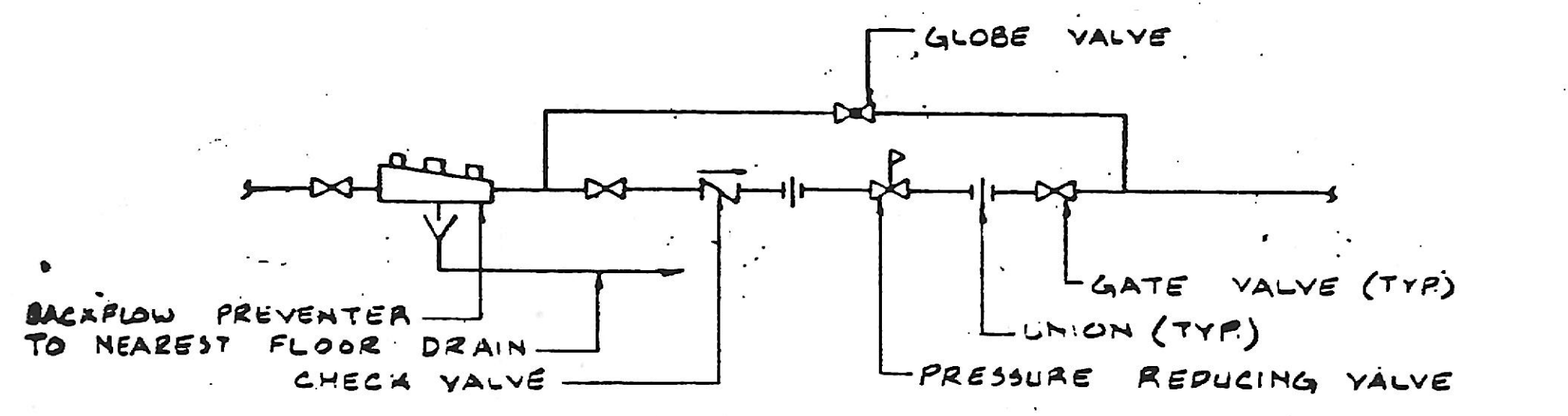
DOMESTIC WATER RISER DIAGRAM
SCALE: NONE

AIR DEVICE SCHEDULE

No.	Duty	CFM	Neck Size	Blow	Remarks					
1	Supply	60	6x6	1		35	240	9x9	4	
2		40	6x6	4		36	50	6x6	1	
3		115	6x6	1		37	155	9x9	4	
4		105	6x6	4		38	220	9x9	4	
5		170	9x9	4		39	145	9x9	4	
6		100	6x6	4		40	230	9x9	4	
7		130	9x9	1		41	Return	230	10x8	----
8		170	16x4	1	sidewall	42		50	6x5	----
9	Return	60	6x6	----		43		290	10x10	----
10		115	8x6	----		44		240	16x6	----
11		105	8x6	----		45		155	14x4	----
12		170	10x6	----		46		145	14x4	----
13		100	10x4	----	sidewall	47	Supply	185	9x9	1
14		185	18x4	----	sidewall	48	Return	185	9x9	----
15		300	30x4	----	sidewall	49	Supply	400	12x12	3
16	Supply	155	9x9	3		50	Supply	370	12x12	4
17		250	9x9	4		51		340	12x12	4
18	Return	250	24x4	----	sidewall	52		420	12x12	4
19	Supply	60	6x6	3		53		510	12x12	2
20		130	9x9	4		54		95	6x6	4
21		55	6x6	3		55		320	12x12	3
22	Return	130	12x4	----	sidewall	56		315	12x12	4
23	Supply	35	6x6	----		57		310	12x12	4
24	Supply	75	6x6	2		58		335	12x12	4
25	Return	185	8x8	----		59		350	12x12	2
26		220	10x8	----		60	Return	800	24x8	----
27		240	10x8	----		61		370	16x8	----
28	Supply	185	9x9	2		62		340	14x8	----
29	Return	130	8x6	----		63		320	12x10	----
30		55	6x5	----		64		625	18x12	----
31		130	12x4	----	sidewall	65		670	16x14	----
32	Supply	110	10x4	1	flr. (Titus model 13RL)	66		420	12x12	----
33		120	12x4	1	flr. (Titus model 13RL)	67		350	12x10	----
34		290	9x9	4						



DETAIL - WATER HEATER
SCALE: NONE



C.W. PRESSURE REDUCING STATION
NO SCALE

MECHANICAL LEGEND

Symbol	Abbreviation	Description
⊠	S.A.	Supply air duct
⊠	R.A.	Return air duct
⊠	E.A.	Exhaust air duct
—	O.E.	Open end duct
—	SAN	Sanitary pipe
—	FD	Fire damper
—	V	Vent pipe
—	CW	Cold Water pipe
—	HW	Hot Water pipe
—	G	Gate valve
—	G	Gas pipe
—	RL	Refrigerant liquid
—	RS	Refrigerant suction
—	D	Drain piping

PLUMBING FIXTURE SCHEDULE

No.	Description	HW	CW	SAN.	Vent	Remarks
P-1	Water Closet	--	3/4"	4"	2"	
P-2	Lavatory	1/2"	1/2"	1 1/2"	1 1/2"	
P-3	Service sink	1/2"	1/2"	3"	1 1/2"	
P-4	Water cooler	--	1/2"	1 1/2"	1 1/2"	

- EQUIPMENT CAPACITY LIST**
- AHU NO. 1 - CARRIER MODEL 58SSB080CC GAS FIRED FURNACE W/28RDO48 DX COIL; 1500 CFM; 95.0 MBH HEATING INPUT; 78.0 MBH HEATING OUTPUT; 45,400 TOTAL COOLING BTUH; 34,700 SENSIBLE COOLING BTUH.
 - CONDENSING UNIT NO. 1 - CARRIER MODEL 38EH048
 - AHU NO. 2 - CARRIER MODEL 58SSB080CC GAS FIRED FURNACE W/28RDO48 DX COIL; 1500 CFM; 95.0 MBH HEATING INPUT; 78.0 MBH HEATING OUTPUT; 40,600 TOTAL COOLING BTUH; 28,300 SENSIBLE COOLING BTUH.
 - CONDENSING UNIT NO. 2 - CARRIER MODEL 38EH042
 - AHU NO. 3 - CARRIER MODEL 58SSB095DC GAS FIRED FURNACE W/28RDO48 DX COIL; 1700 CFM; 114.0 MBH HEATING INPUT; 94.0 MBH HEATING OUTPUT; 46,000 TOTAL COOLING BTUH; 36,400 SENSIBLE COOLING BTUH.
 - CONDENSING UNIT NO. 3 - CARRIER MODEL 38EH048
 - AHU NO. 4 - (2) CARRIER MODEL 58SSB095DC GAS FIRED FURNACE W/28LA012 DX COIL; ACCESSORY TWINNING KIT; 4500 CFM; 228.0 MBH HEATING INPUT; 186.0 MBH HEATING OUTPUT; 106,000 TOTAL COOLING BTUH; 83,800 SENSIBLE COOLING BTUH.
 - CONDENSING UNIT NO. 4 - CARRIER MODEL 38BA009
 - ELECTRICAL WALL HEATERS - MARKEL MODEL 3420; 2000 WATTS; INTEGRAL DISCONNECT AND THERMOSTAT
 - EXHAUST FANS - PENN VENTILATOR MODEL Z6; 50 CFM; .125" S.P.; 115 VOLT/1 PHASE/60 HERTZ.

Cho Wilks & Benn
316 North Charles Street
Baltimore, Maryland 21201
(301) 576-0440
ARCHITECTS

MARYLAND INSTITUTE

DRAWN BY: J.D. CHECKED BY: K.K.

RISER DIAGRAMS, SCHEDULES & LEGEND
Contract Pwg.

PROJECT NO: 1710
SCALE: AS NOTED
DATE: 10-27-88
LATEST REV: 8-11-89

SHEET NO: M-5