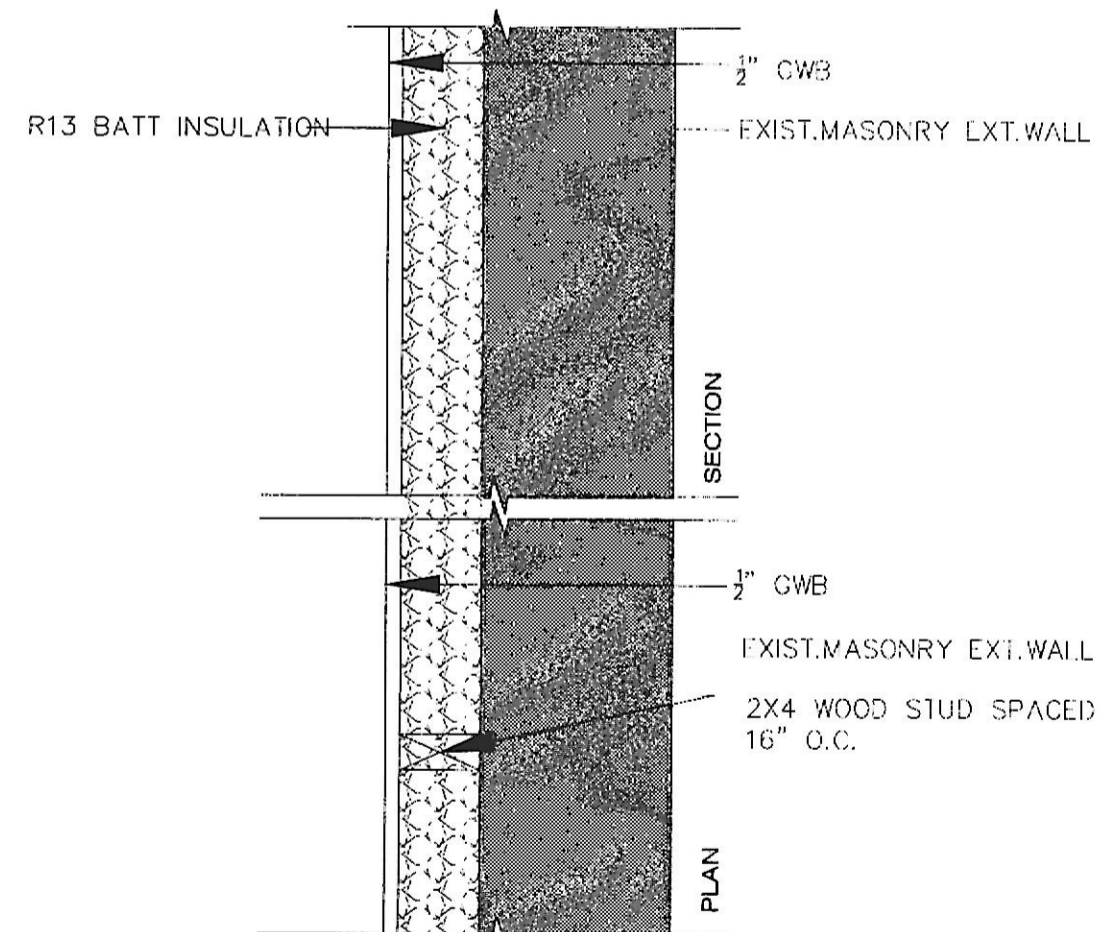
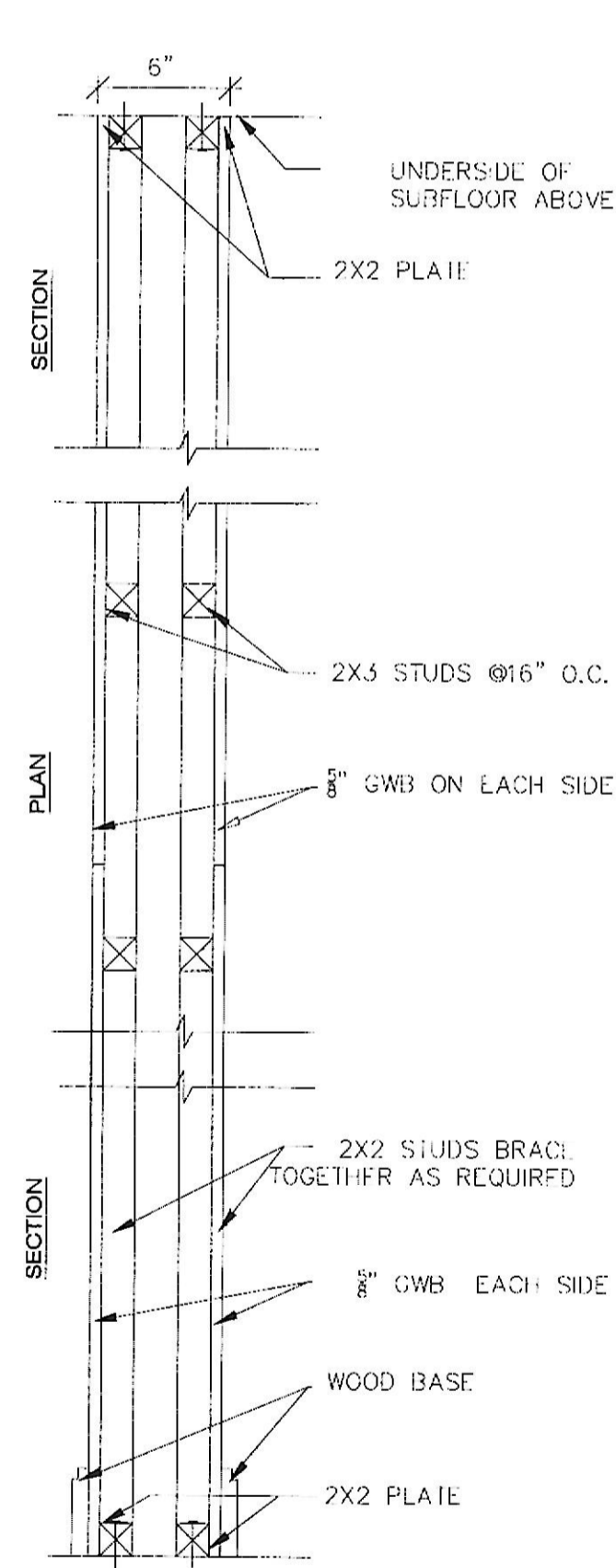


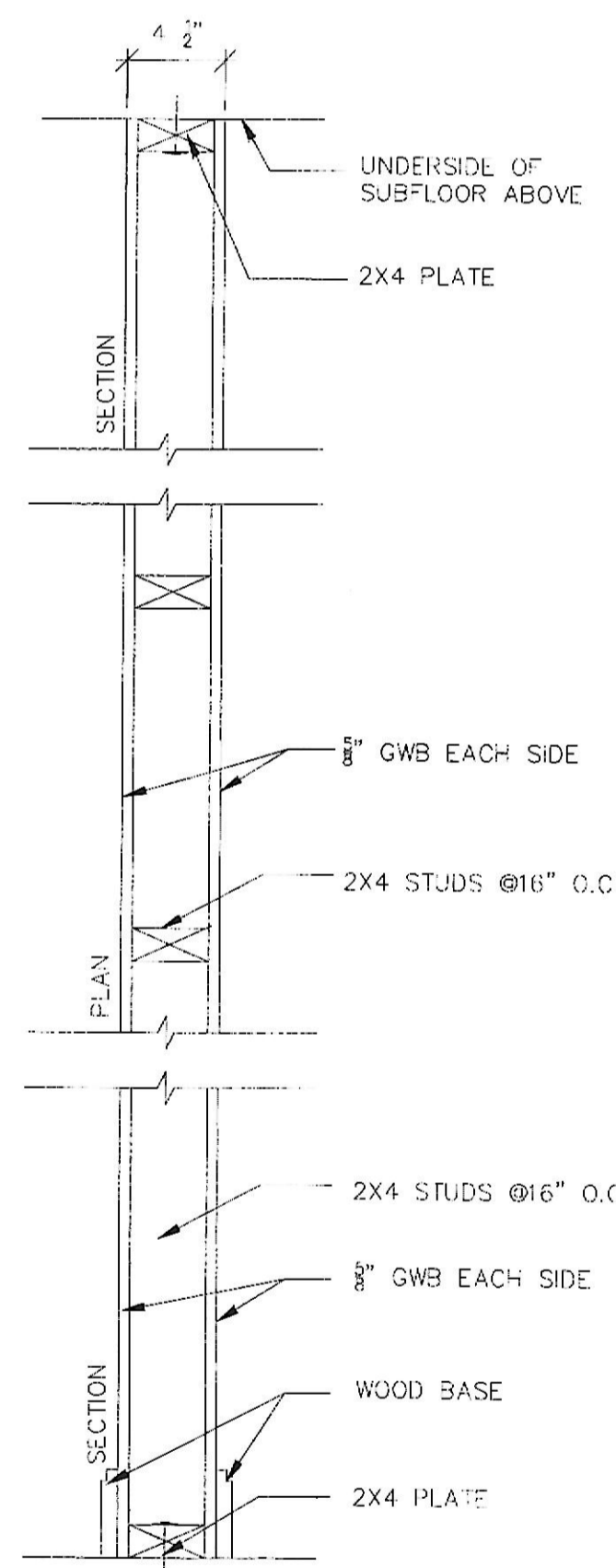
6 NON RATED/ GA FLOOR /CEILING ASSEMBLY  
1 1/2" = 1'-0"



1 EXT. WALL  
1 1/2" = 1'-0"

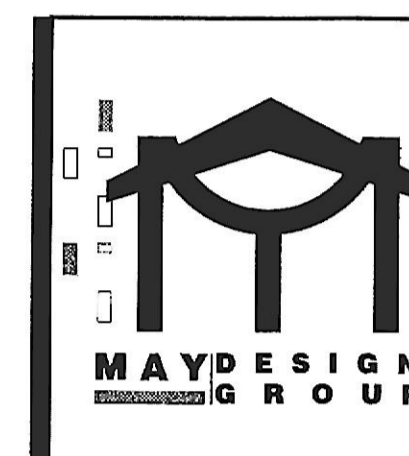


2 INT. PLUMBING WALL  
1 1/2" = 1'-0"



5 TYPICAL INTERIOR WALL  
1 1/2" = 1'-0"

SEE STRUCTURAL FOR STUD SIZES

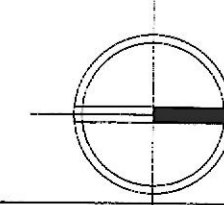


4015 WOODLEA AVE  
BALTIMORE, 21206 MD  
SQ: 6,996 LOT: 016

SCALE: AS NOTED

DATE:

PROJECT NUMBER: 2424



TYPICAL PARTITION WALL DETAILS  
**A010**