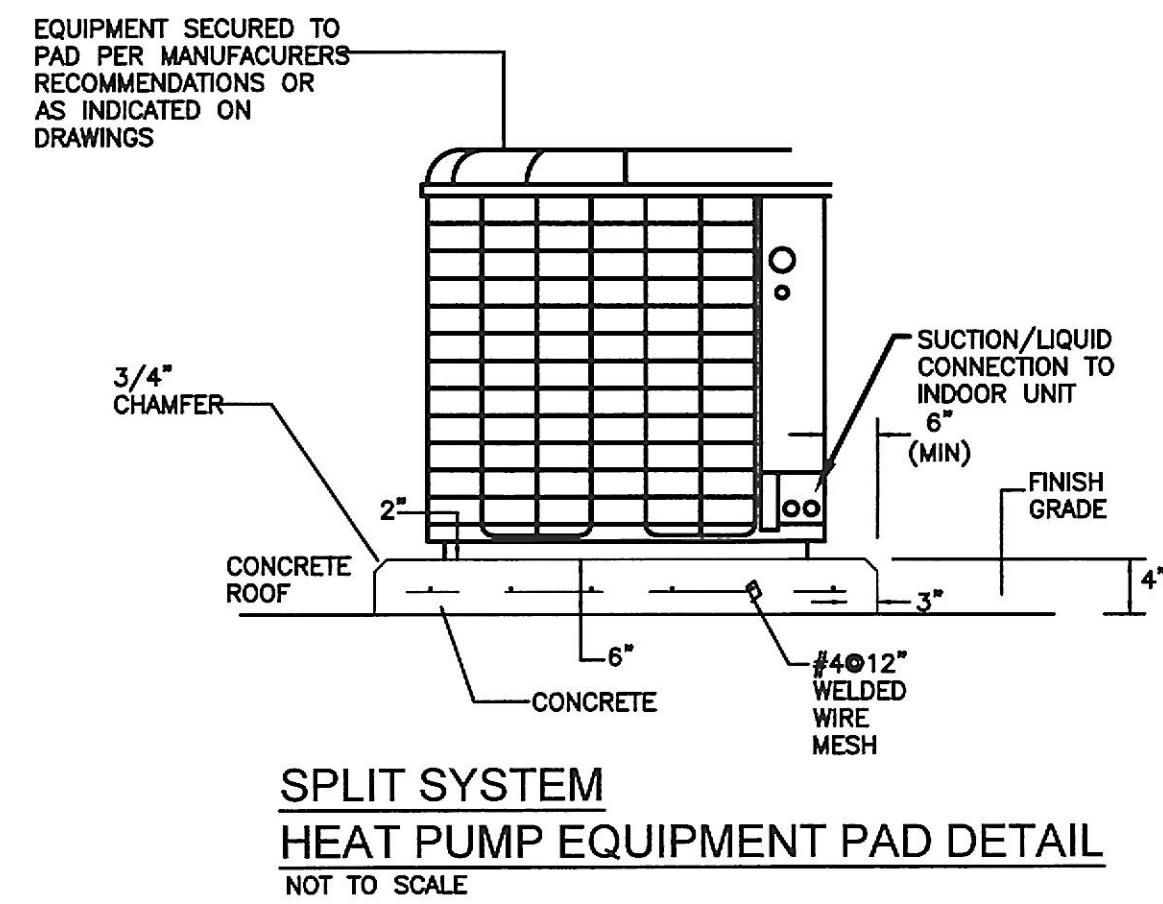
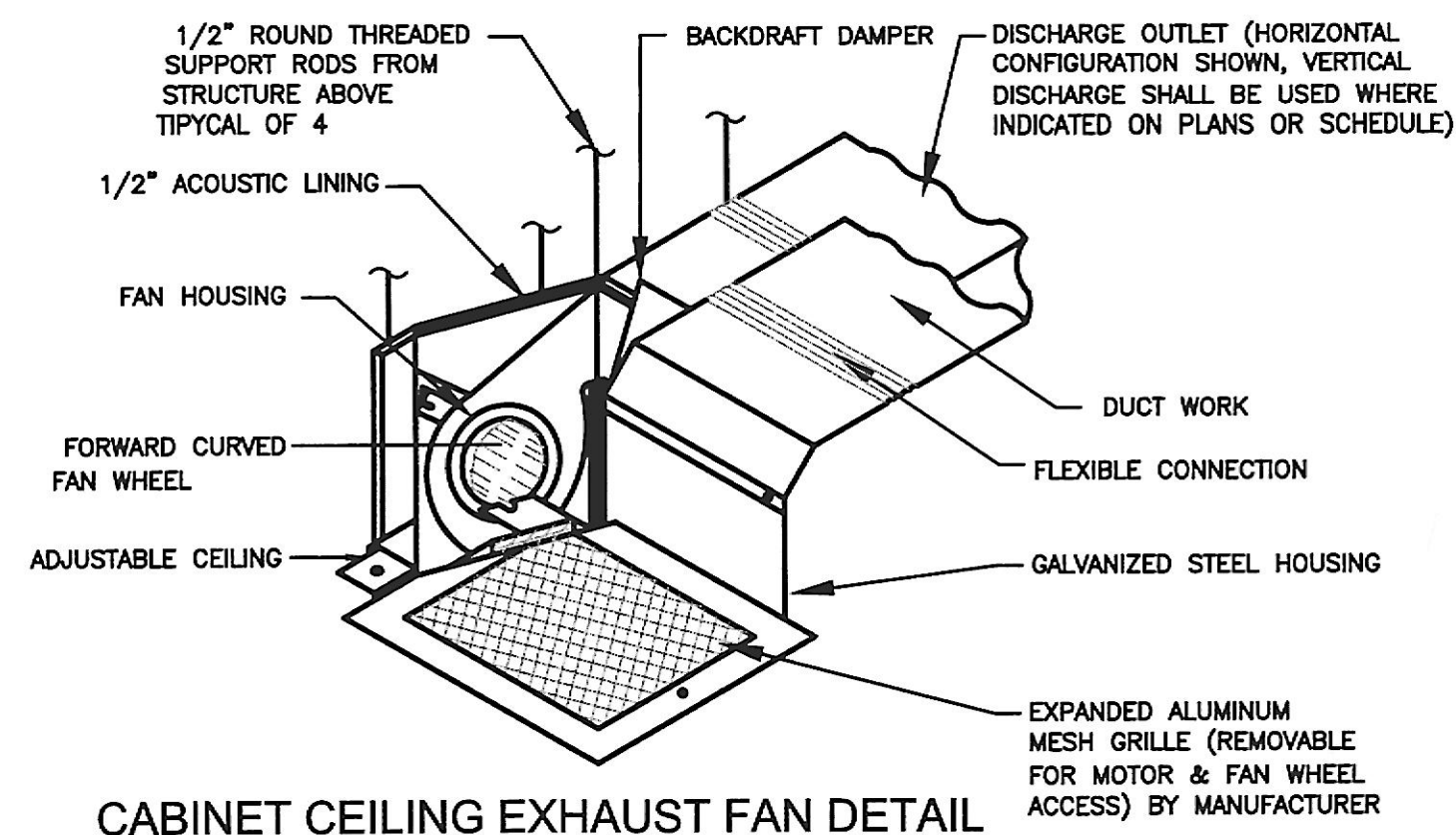


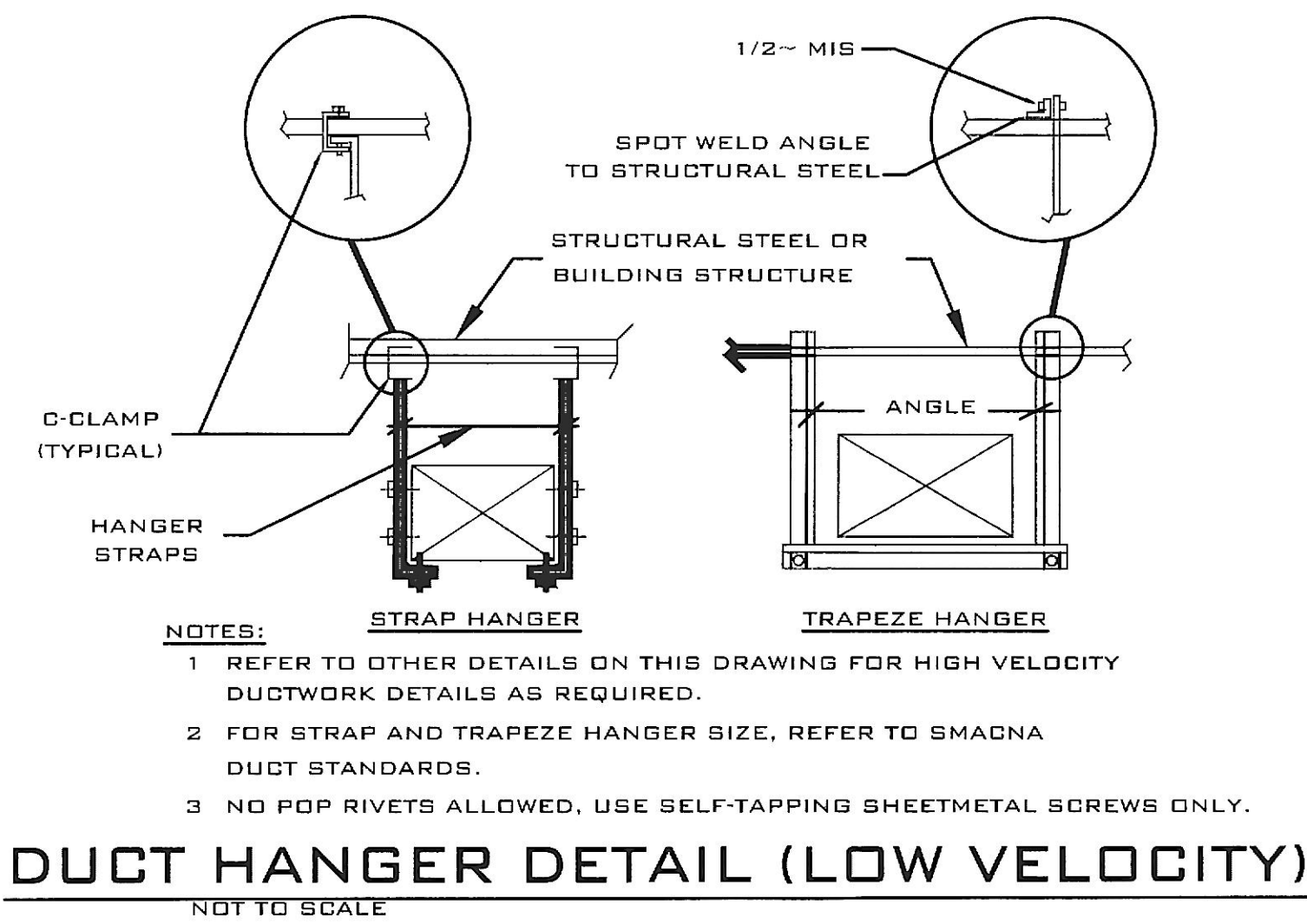
**INDOOR FLOOR MOUNTED UNIT DETAIL**  
NOT TO SCALE



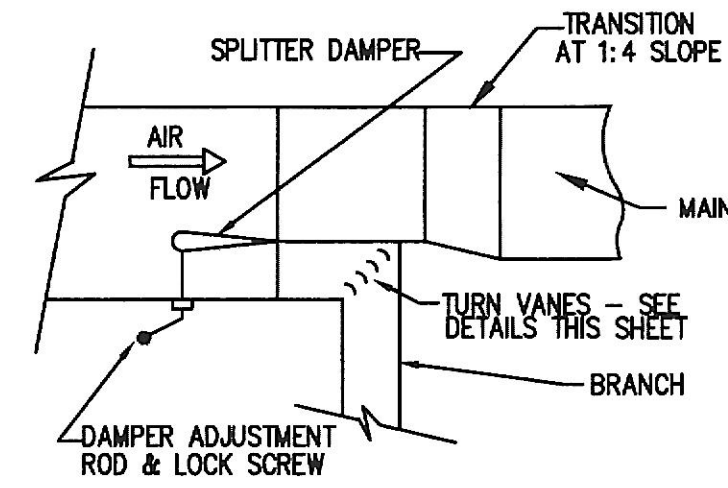
**SPLIT SYSTEM HEAT PUMP EQUIPMENT PAD DETAIL**  
NOT TO SCALE



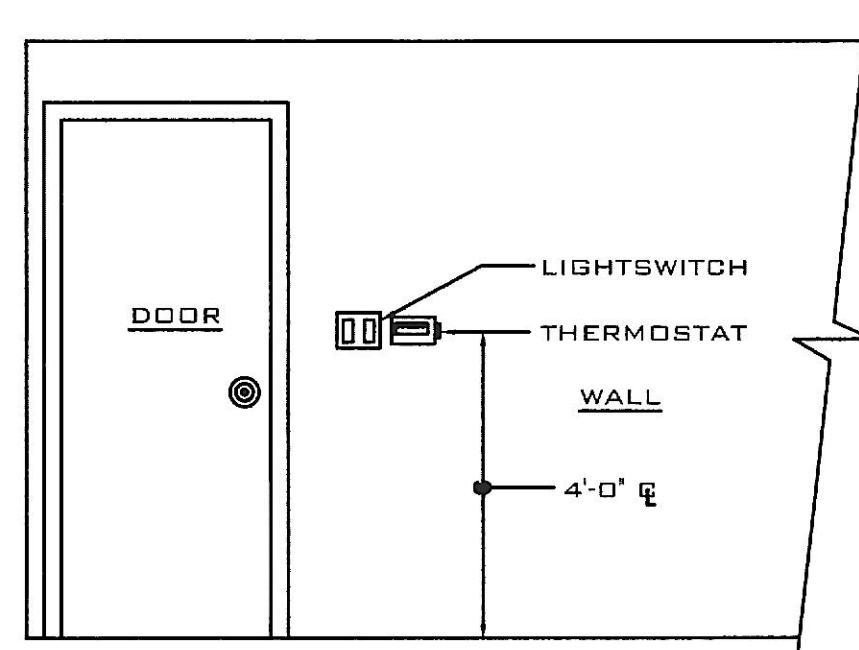
**CABINET CEILING EXHAUST FAN DETAIL**



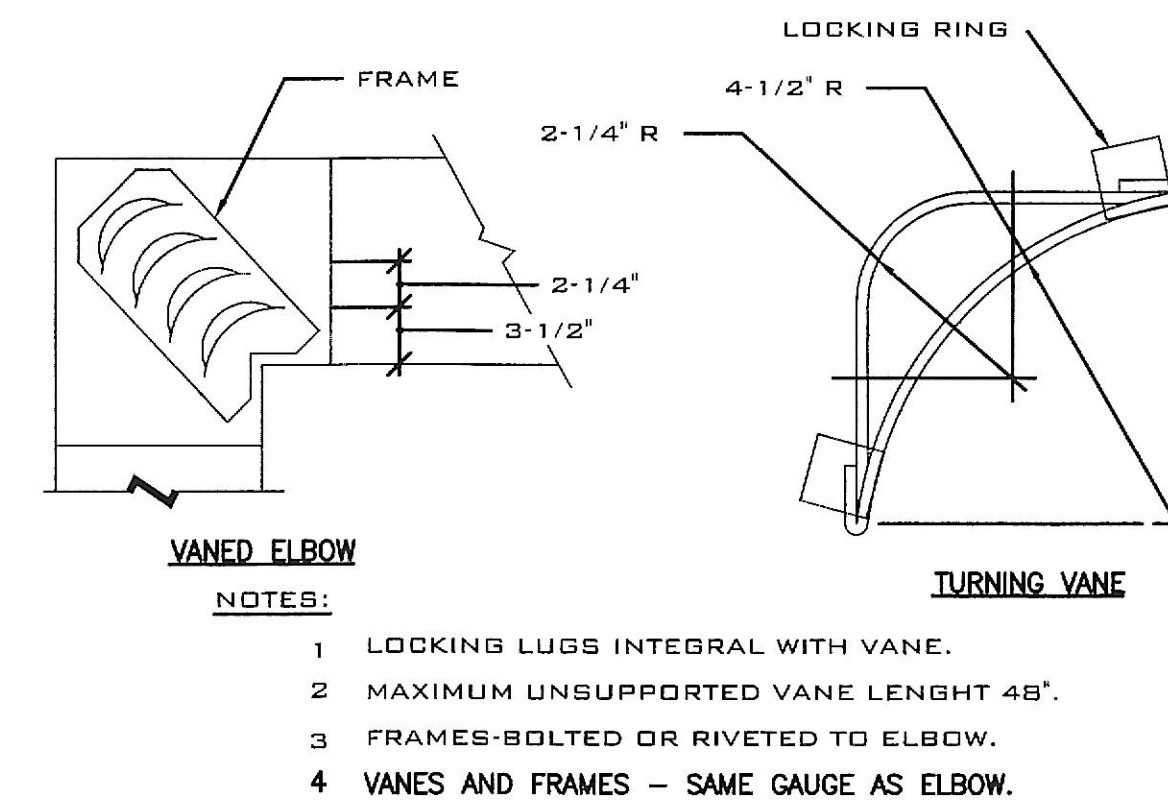
**DUCT HANGER DETAIL (LOW VELOCITY)**  
NOT TO SCALE



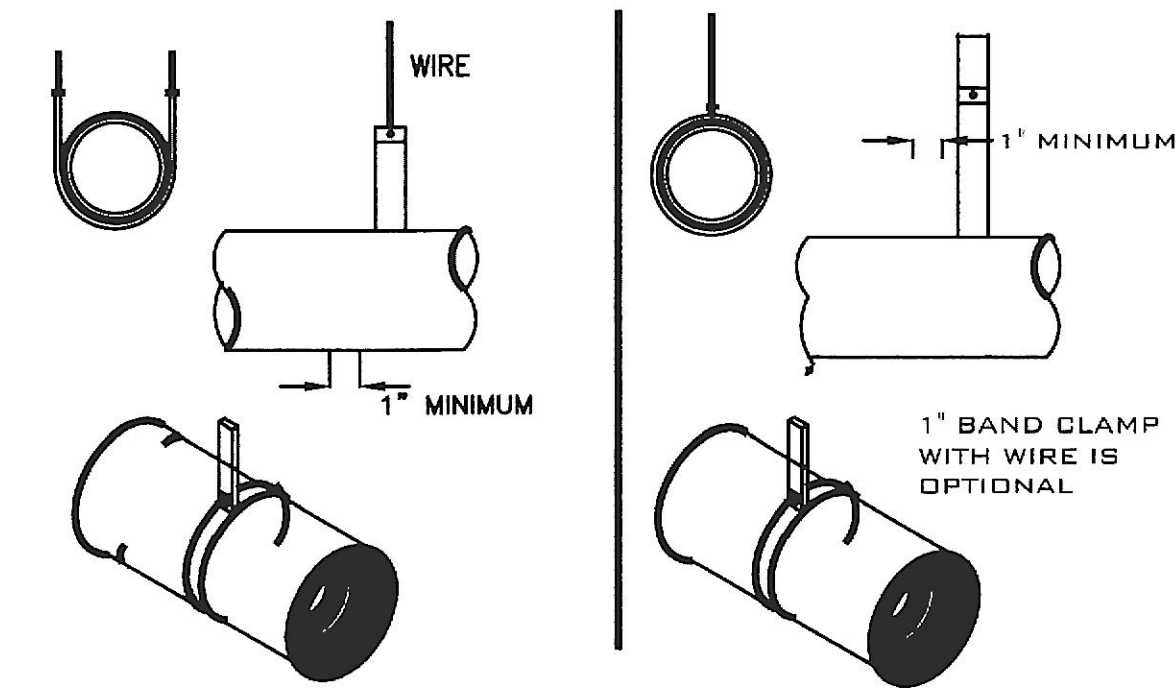
**TYPICAL SPLITTER DAMPER**  
NOT TO SCALE



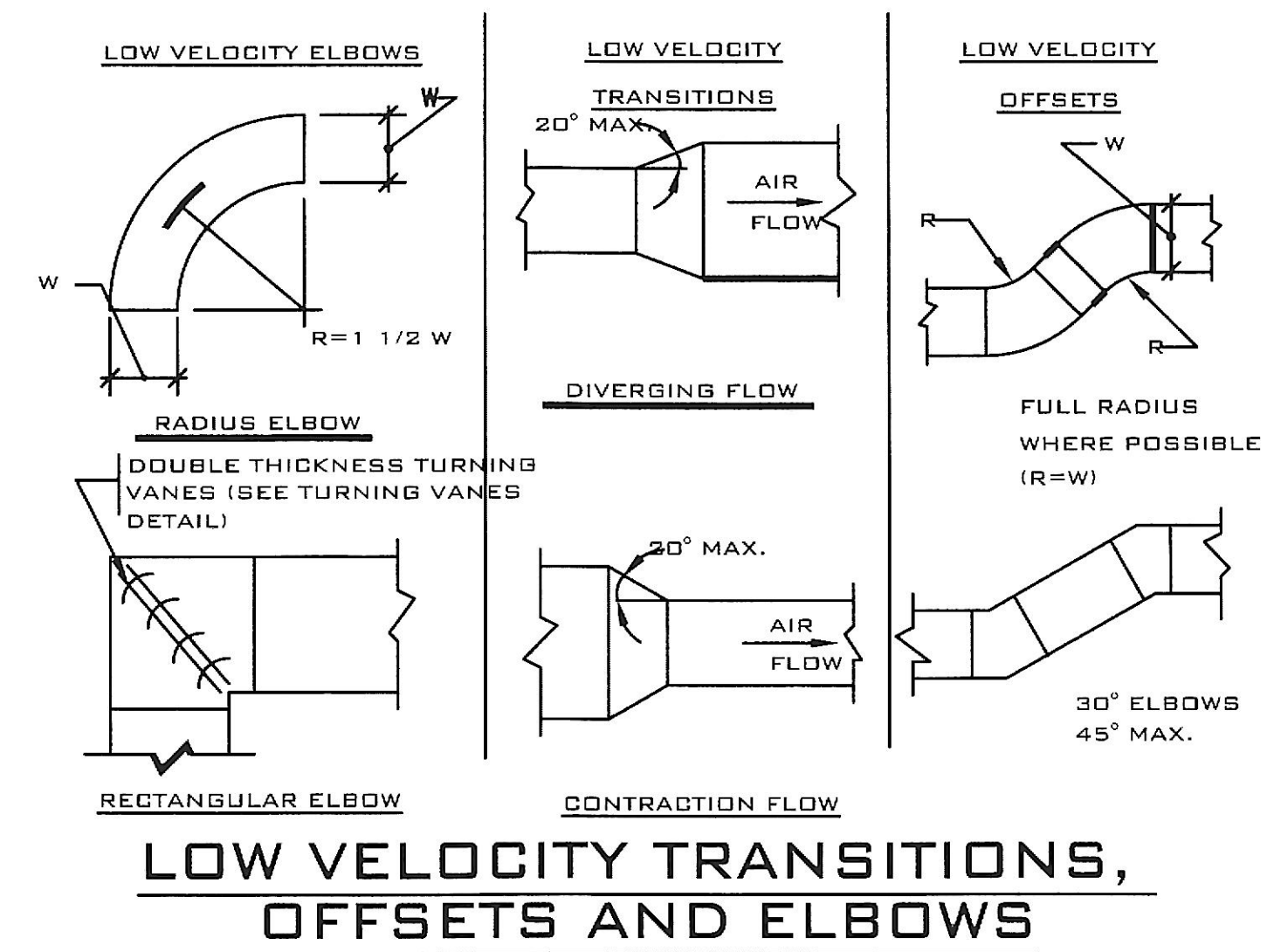
**TYP. THERMOSTAT MOUNTING DETAIL**  
NOT TO SCALE



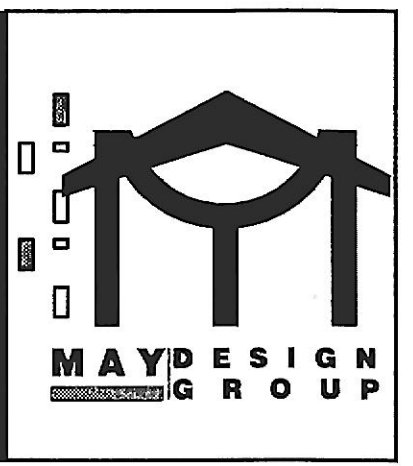
**DOUBLE THICKNESS TURNING VANES FOR SQUARE ELBOW**  
NOT TO SCALE



**FLEXIBLE DUCT SUPPORT**  
NOT TO SCALE

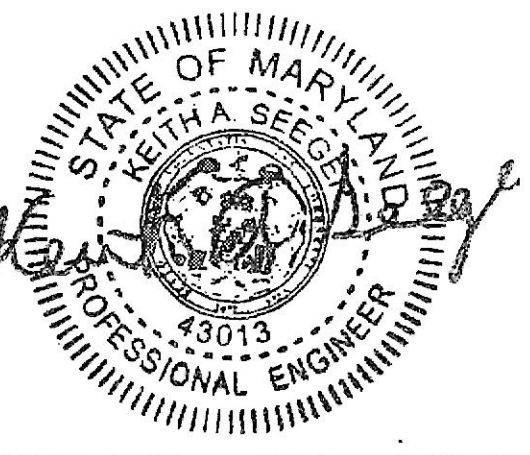


**LOW VELOCITY TRANSITIONS, OFFSETS AND ELBOWS**



4015 WOODLEA AVE  
BALTIMORE, 21206 MD  
SQ: 6,996 LOT: 016

PROFESSIONAL CERTIFICATION:  
I HEREBY CERTIFY THAT THESE DOCUMENTS WERE PREPARED AND APPROVED BY ME, AND THAT I AM A DULY LICENSED PROFESSIONAL ENGINEER UNDER LAWS OF THE STATE OF MARYLAND.  
LICENSE NO: 43013 EXPIRATION DATE: 12-11-2020



SCALE: AS NOTED

DATE:

PROJECT NUMBER:

DETAILS

M200

