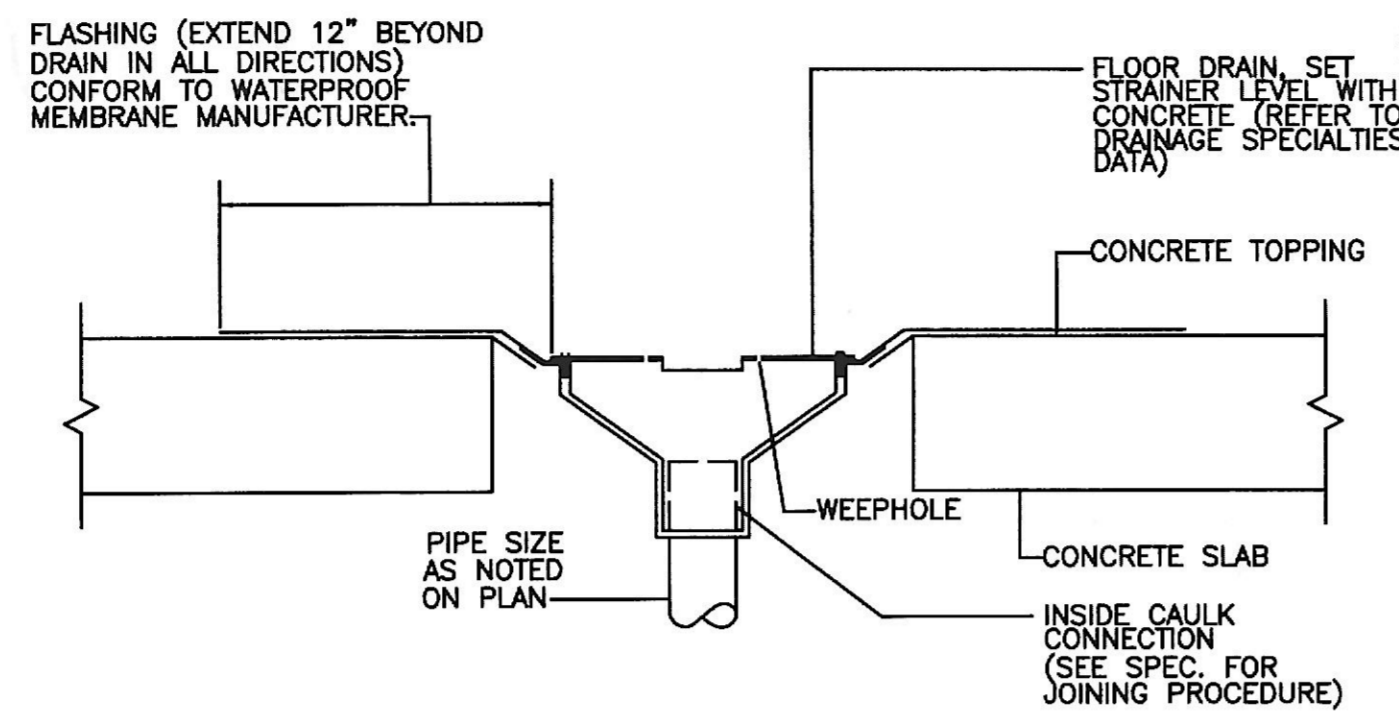
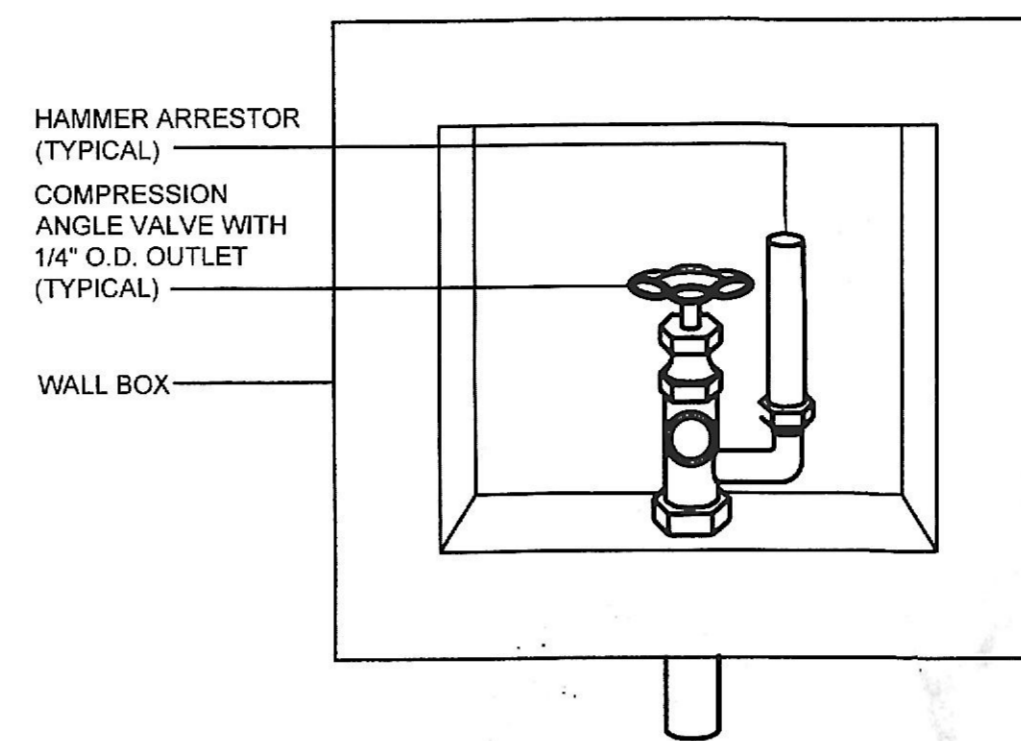


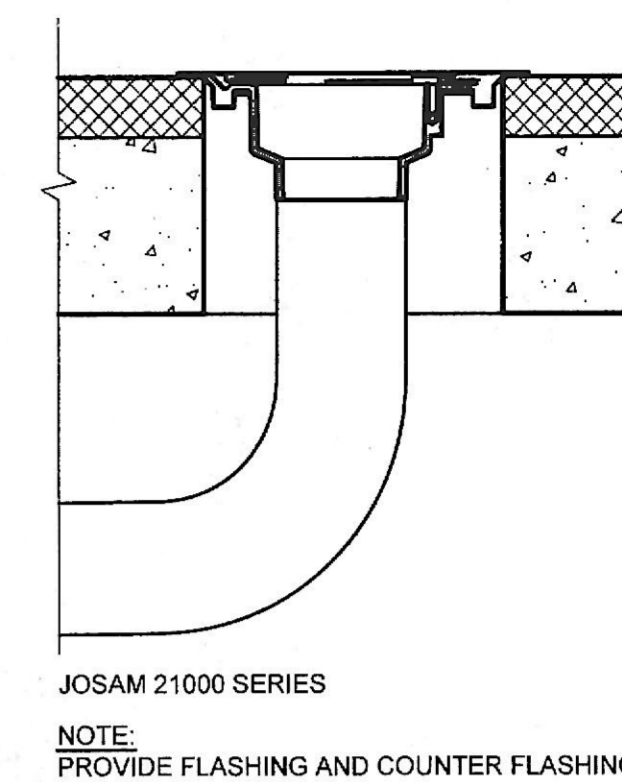
10 RESIDENTIAL DISHWASHER PIPING DETAIL
NOT TO SCALE



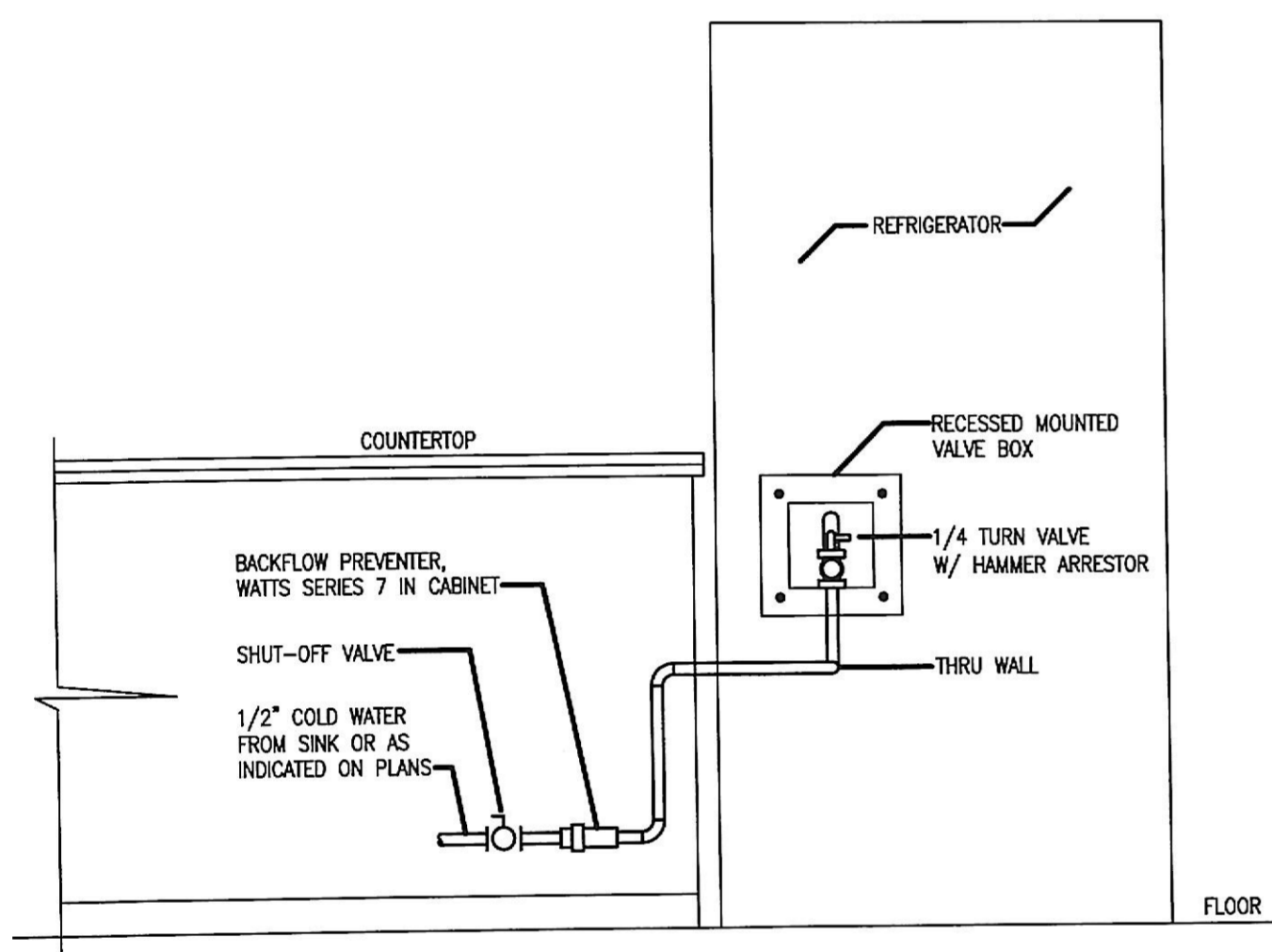
7 FLOOR DRAIN IN CONCRETE DETAIL
NOT TO SCALE



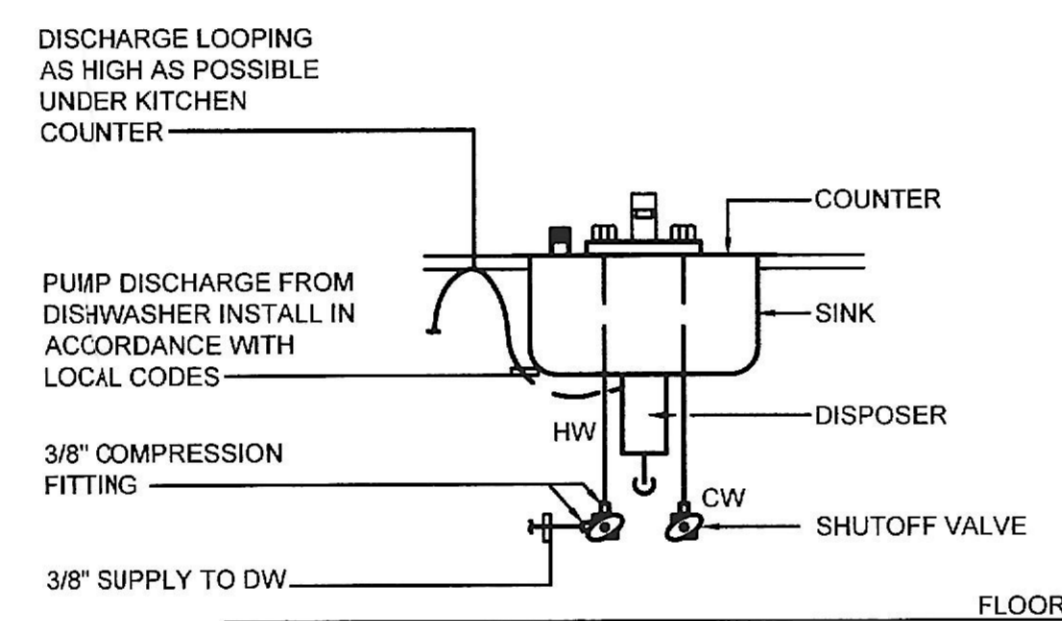
4 ICE MAKER SUPPLY DETAIL
NOT TO SCALE



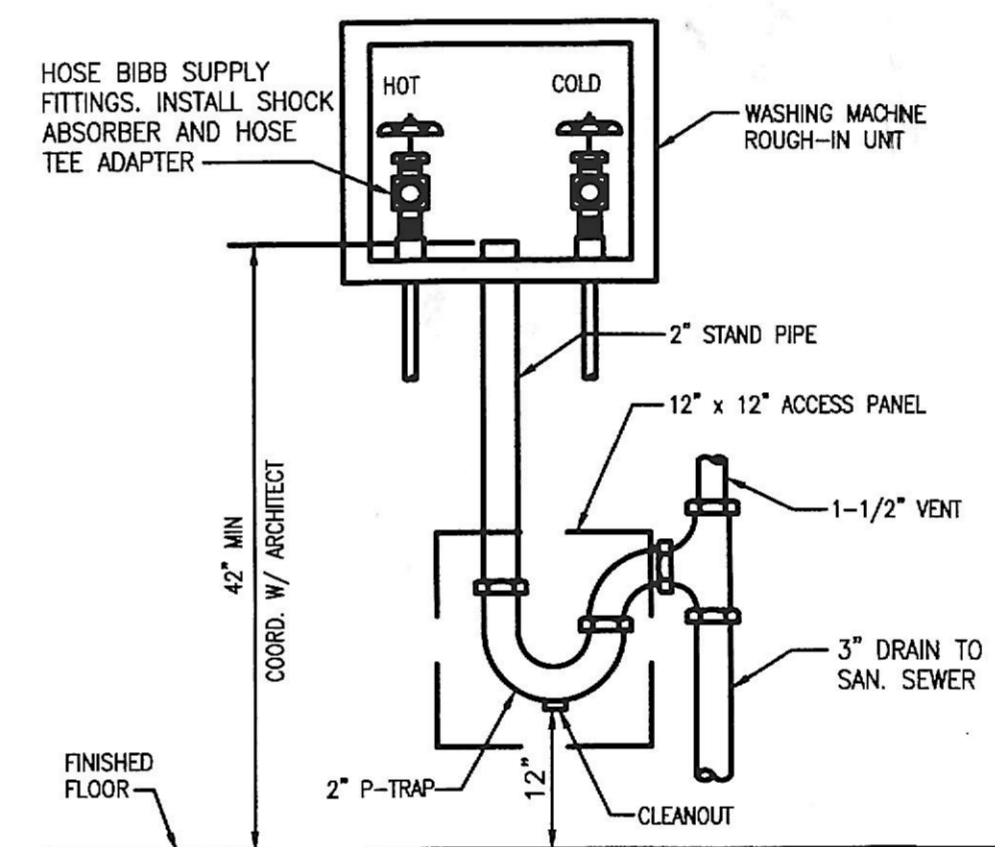
1 ROOF DRAIN DETAIL
NOT TO SCALE



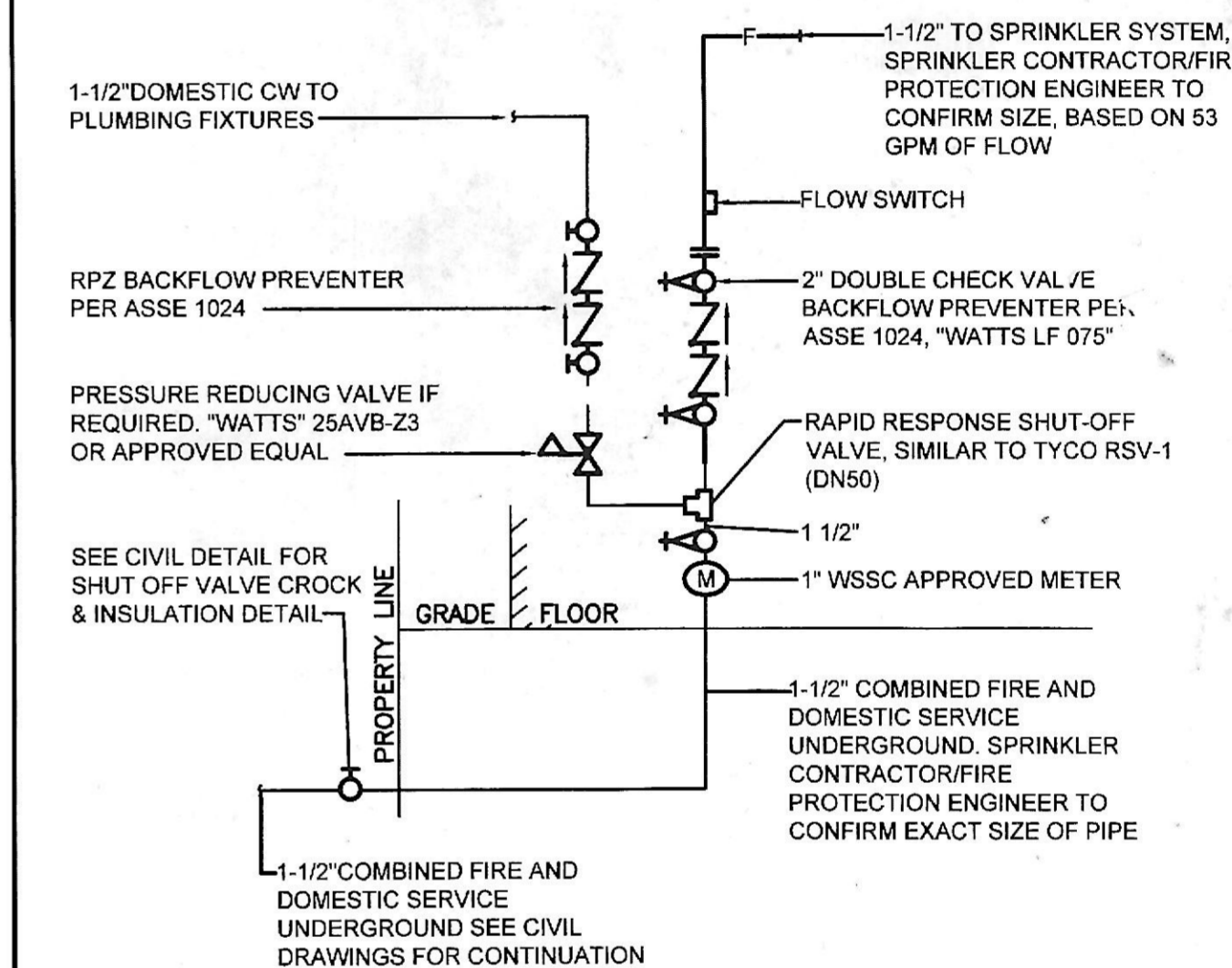
11 REFRIGERATOR WATER CONNECTION DETAIL
NOT TO SCALE



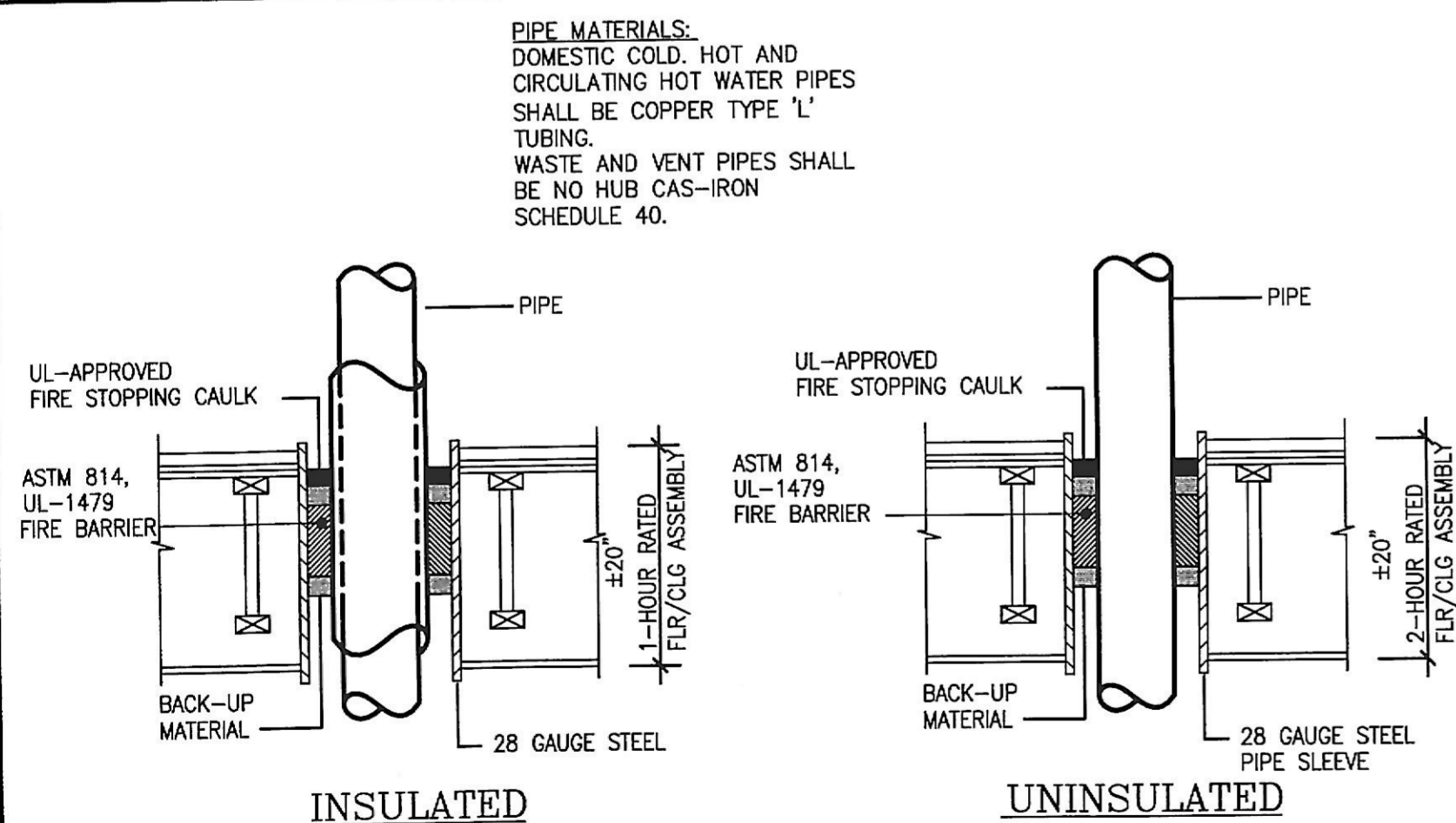
8 TYPICAL KITCHEN SINK PIPING
NOT TO SCALE



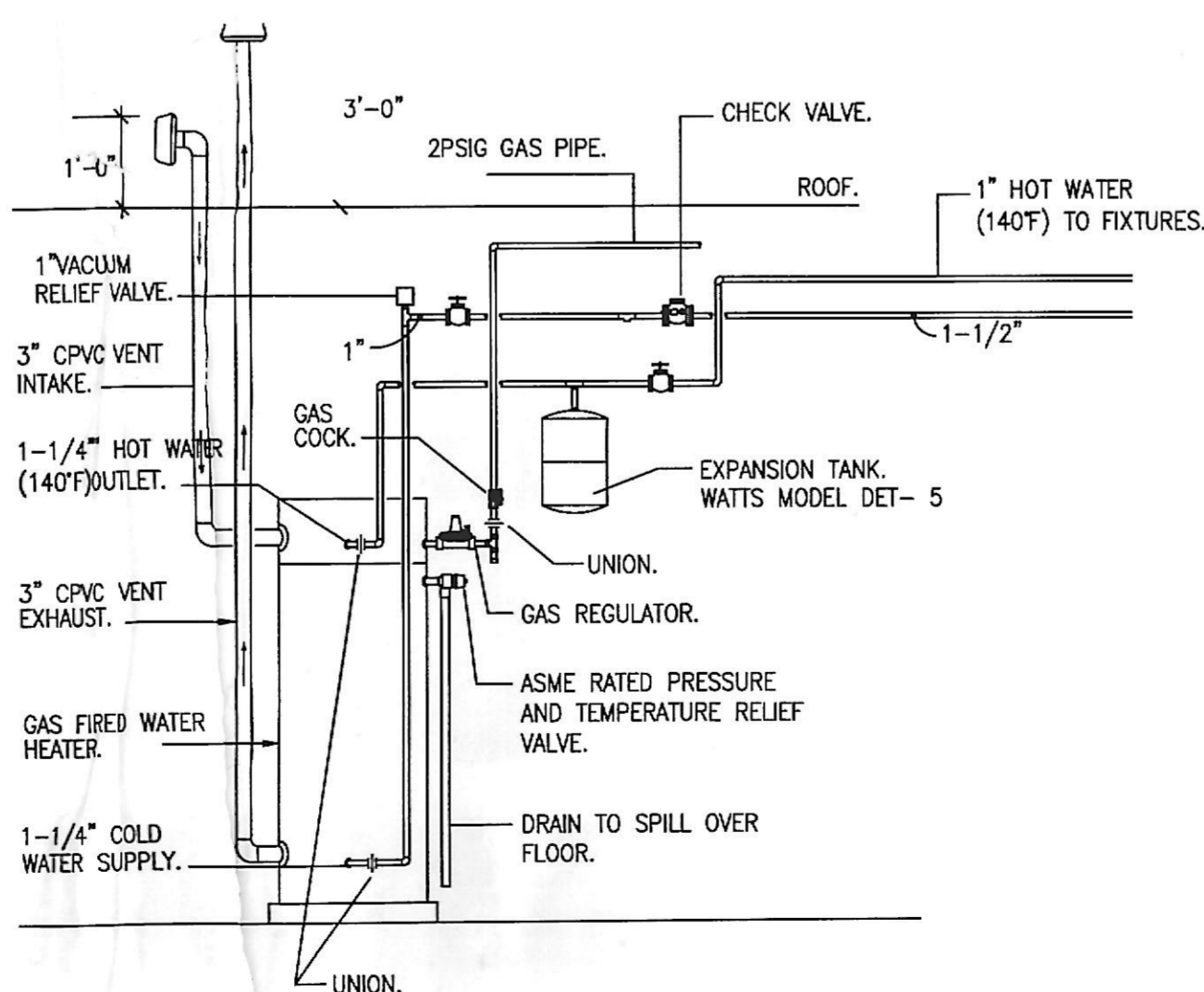
5 DRAIN AND SUPPLY FOR WASHER DETAIL
NOT TO SCALE



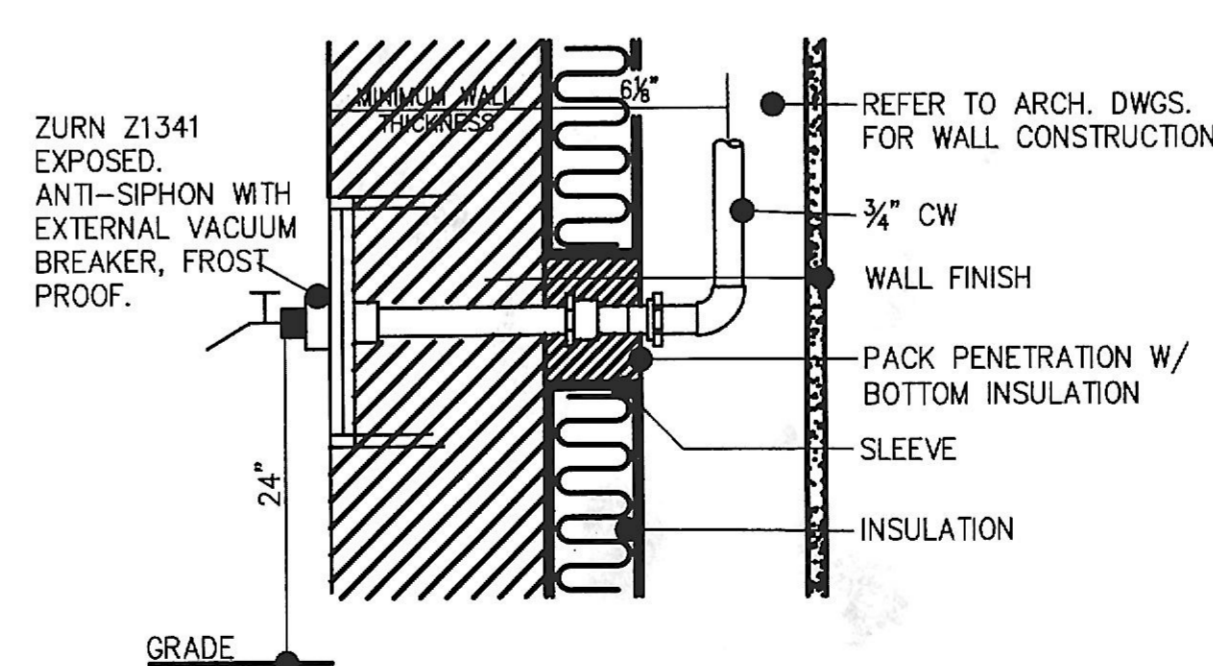
2 COMBINED FIRE & DOMESTIC ENTRANCE DIAGRAM
NOT TO SCALE



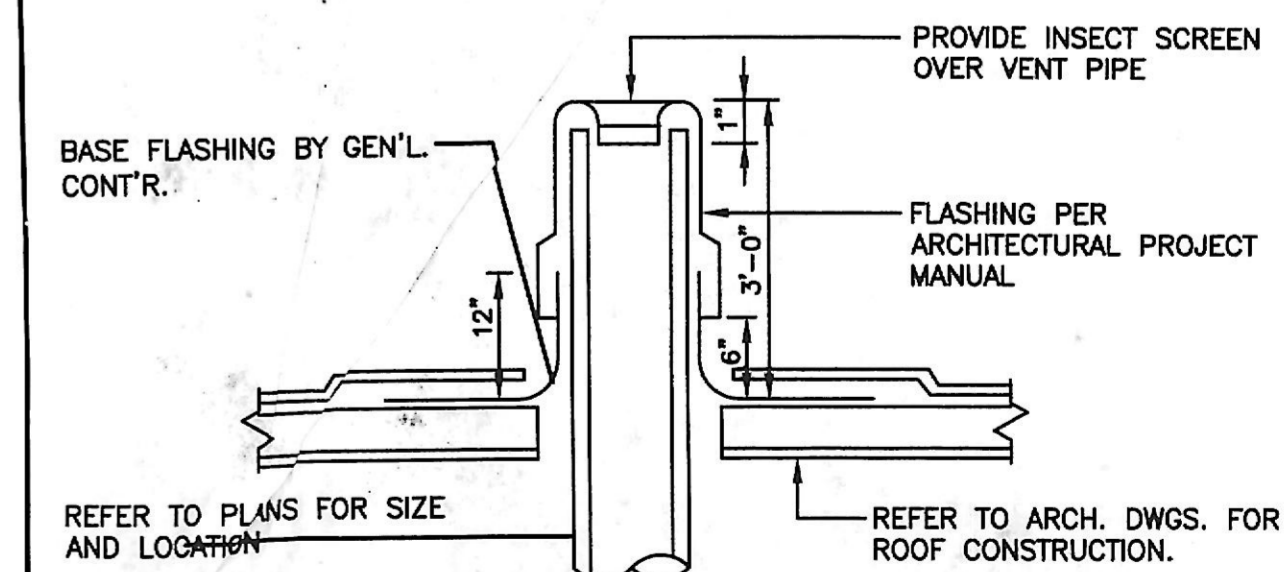
12 TYPICAL FIRE RATED WALL/FLOOR PENETRATION DETAIL
NOT TO SCALE



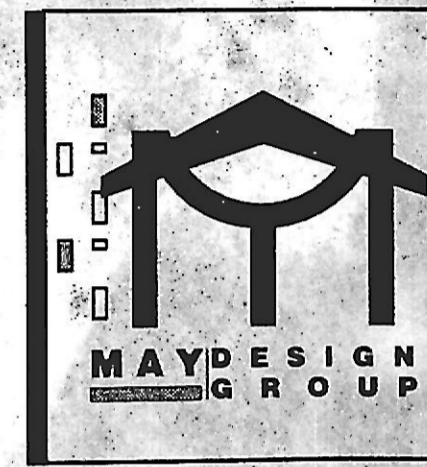
9 GAS WATER HEATER PIPING DETAIL
NOT TO SCALE



6 TYPICAL WALL HYDRANT CONNECTION DETAIL
NOT TO SCALE



3 PLUMBING VENT THROUGH ROOF DETAIL
NOT TO SCALE



4015 WOODLEA AVE
BALTIMORE, 21206 MD
SQ. 6,996 LOT. 016

PROFESSIONAL CERTIFICATION:
I HEREBY CERTIFY THAT THESE DOCUMENTS WERE PREPARED AND APPROVED BY ME, AND THAT I AM A FULLY LICENSED PROFESSIONAL ENGINEER UNDER LAWS OF THE STATE OF MARYLAND.
LICENSE NO.: 43013 EXPIRATION DATE: 12-31-2020



SCALE: AS NOTED
DATE:
PROJECT NUMBER:

DETAILS

P300

