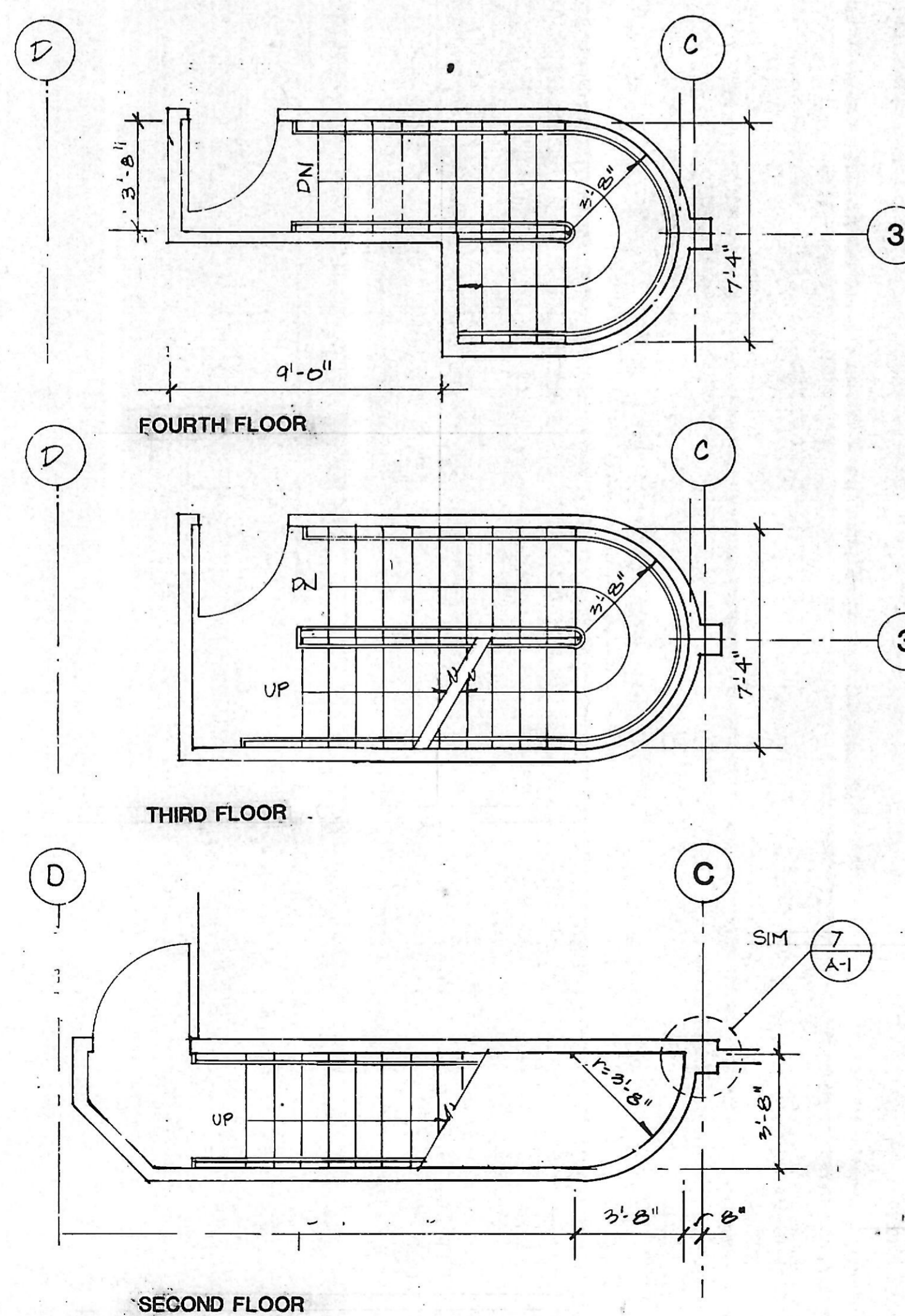
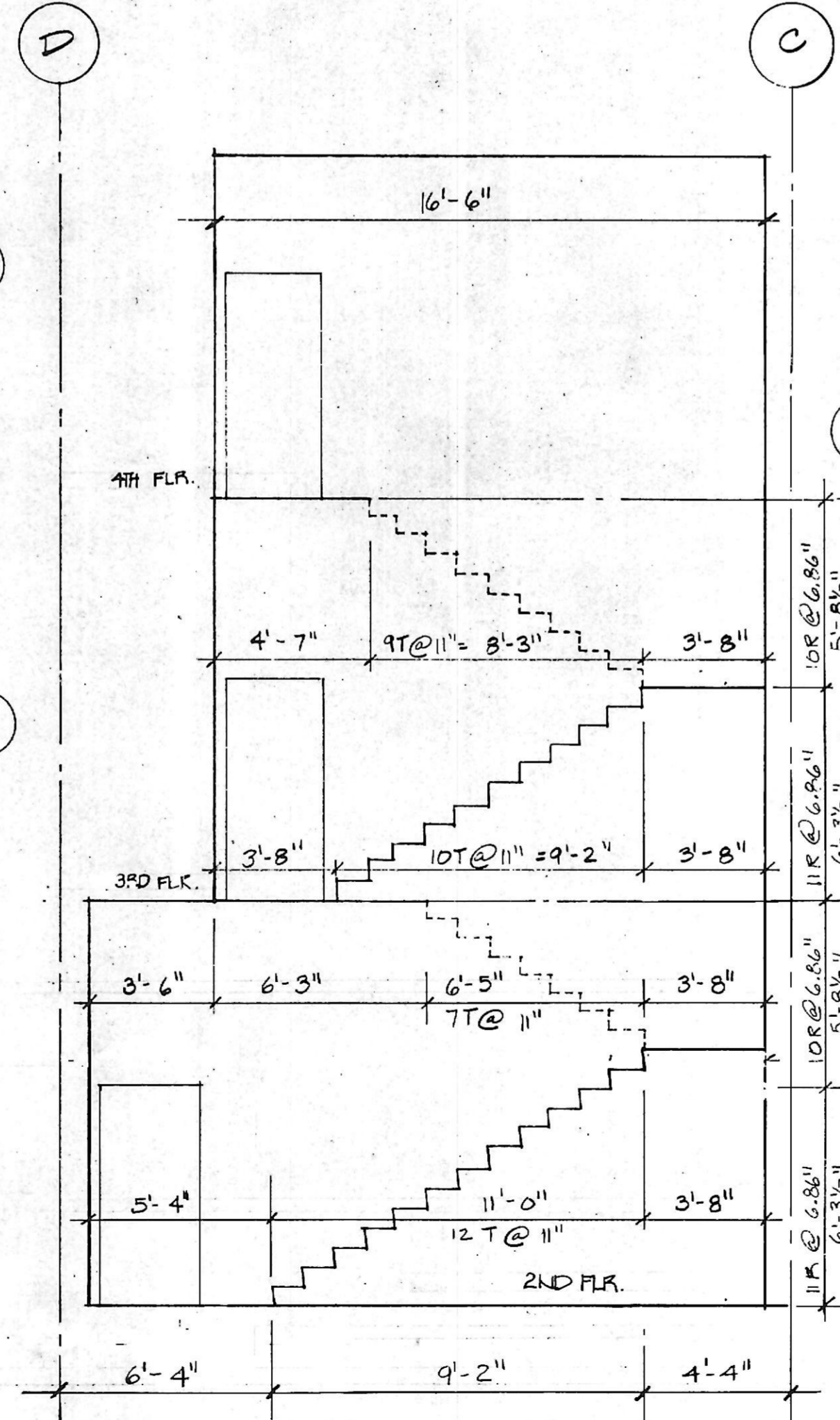


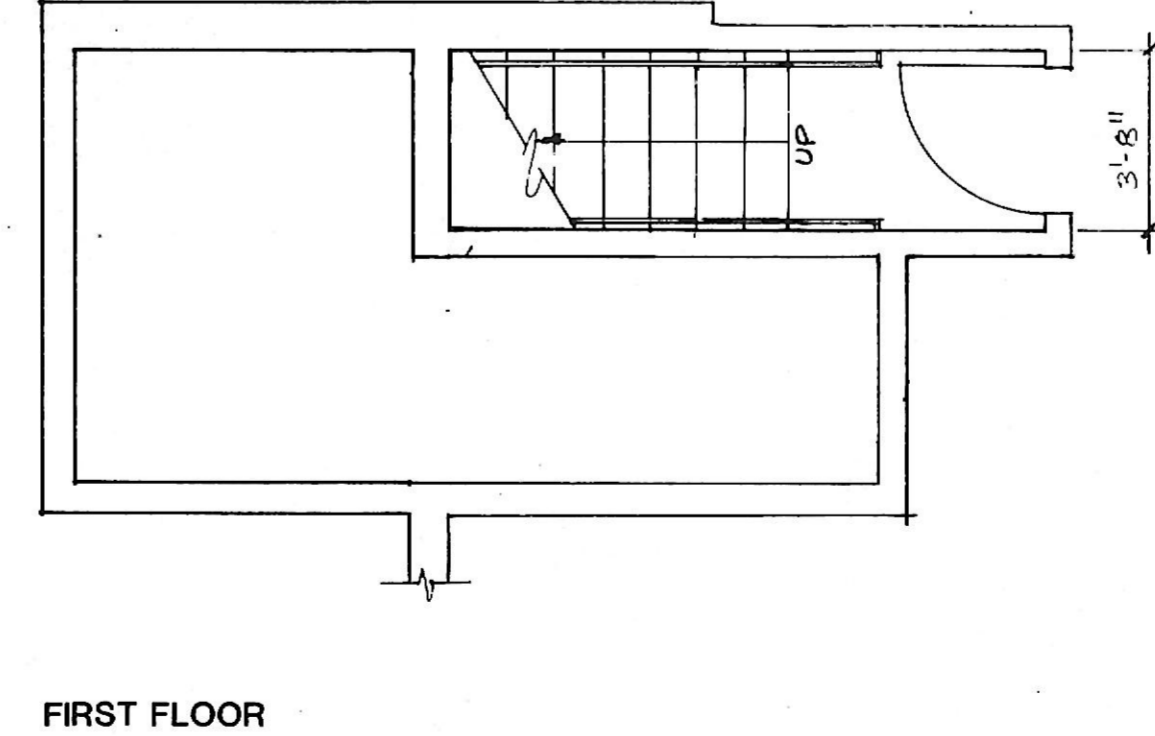
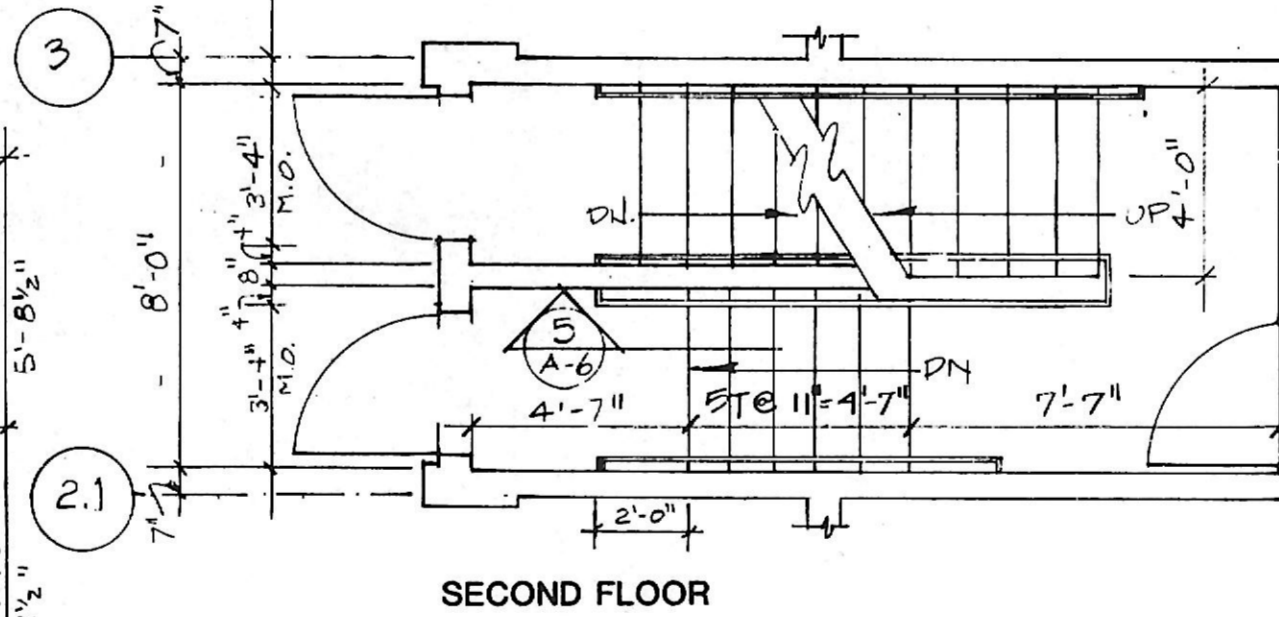
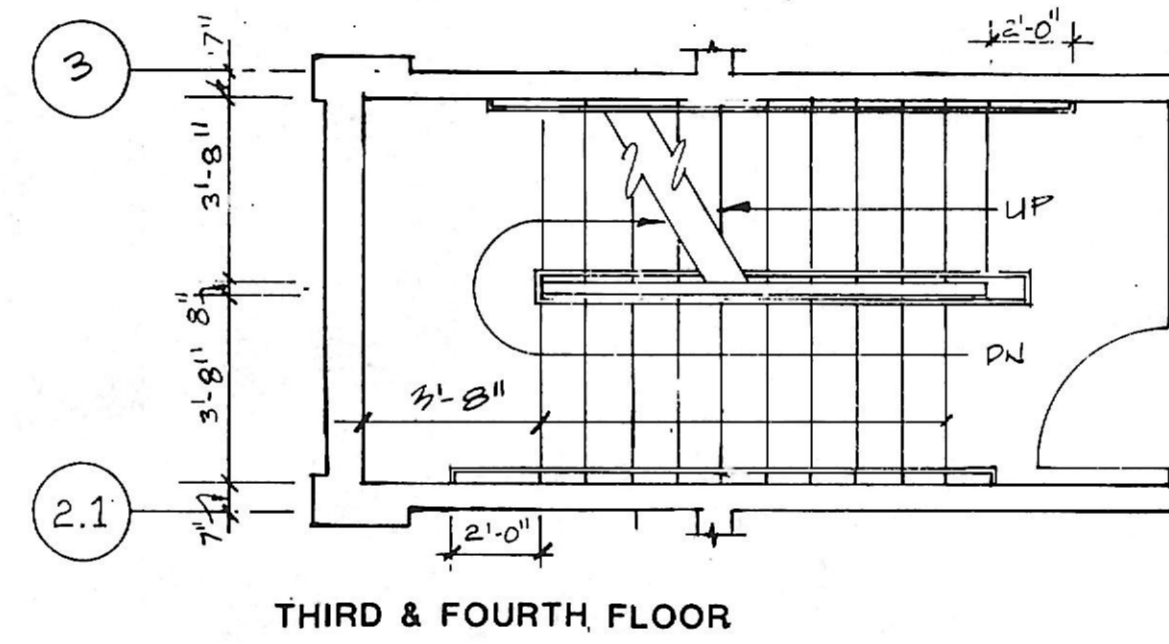
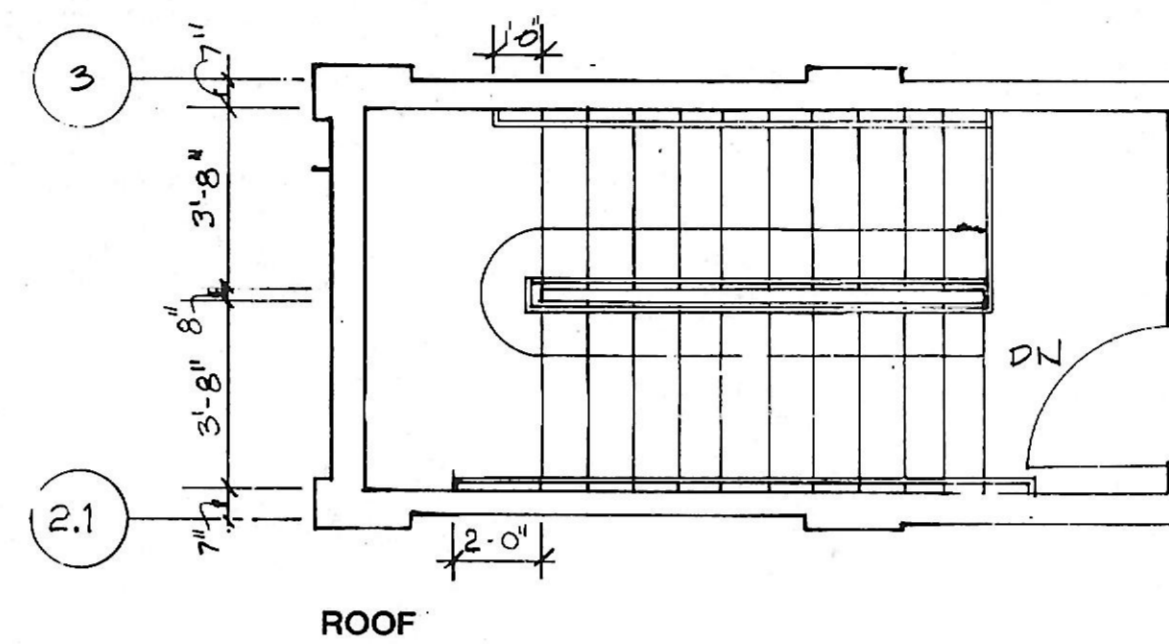
5 STAIR DETAIL
3/4" = 1'-0"



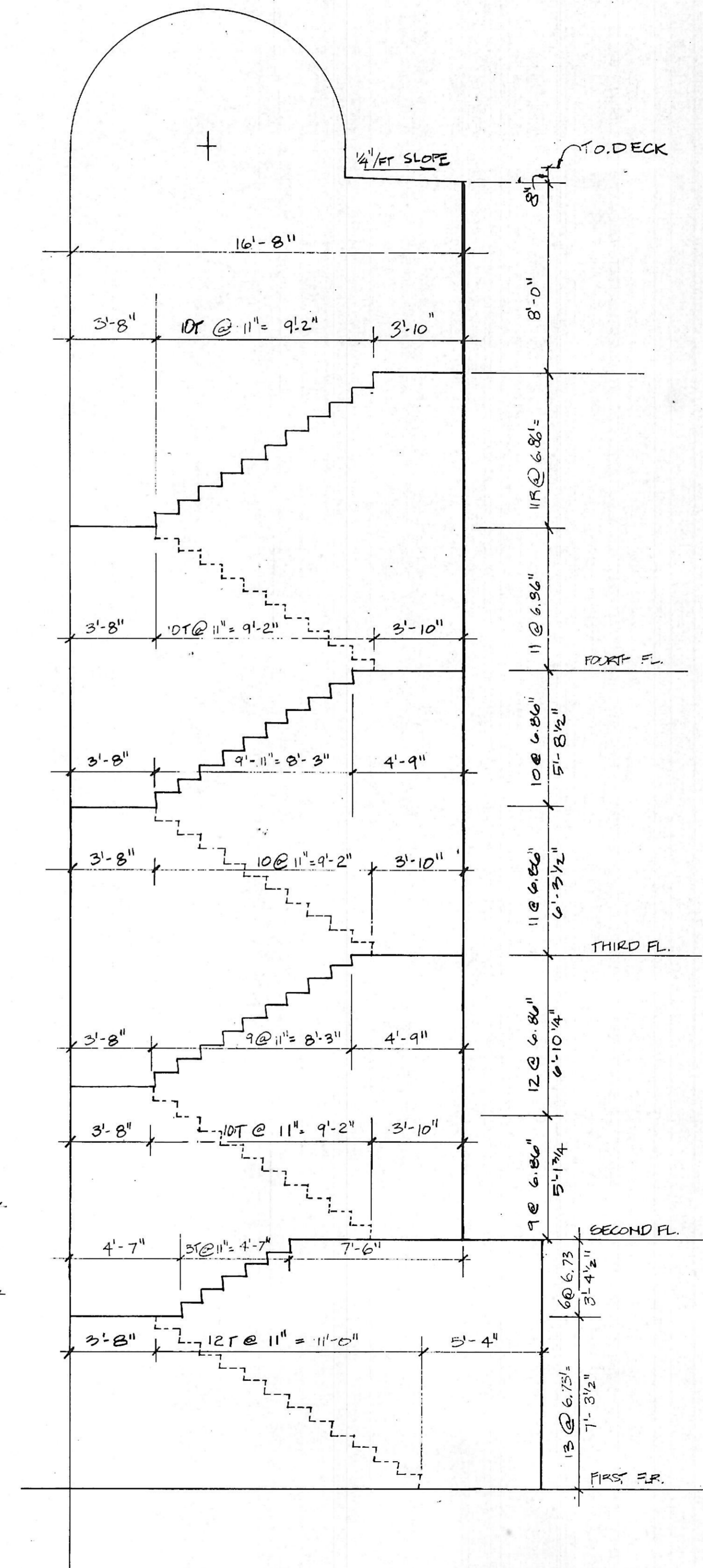
4 PLAN - SOUTH STAIR
1/4" = 1'-0"



3 SECTION - SOUTH STAIR
1/4" = 1'-0"



2 PLAN - NORTH STAIR
1/4" = 1'-0"



1 SECTION - NORTH STAIR
1/4" = 1'-0"

SKARDA & ASSOCIATES
structural engineers
4806 york road
baltimore, maryland
21212
301-435-9330

Lapicki-Smith
ASSOCIATES, P.A.

THE PROFESSIONAL CENTER
211 WEST FAYETTE STREET
BALTIMORE, MARYLAND 21201
(301) 685-1900

project no. 85.07

22 WEST ALLEGHENY
22 WEST ALLEGHENY
LIMITED PARTNERSHIP
DEVELOPER

7707 GRASTY RD.
PIKESVILLE MD. 21208
301-486-2267

drawing title
STAIRS

date
FRNT 0-21-85
REV. 12-11-85

drawing no.
A7