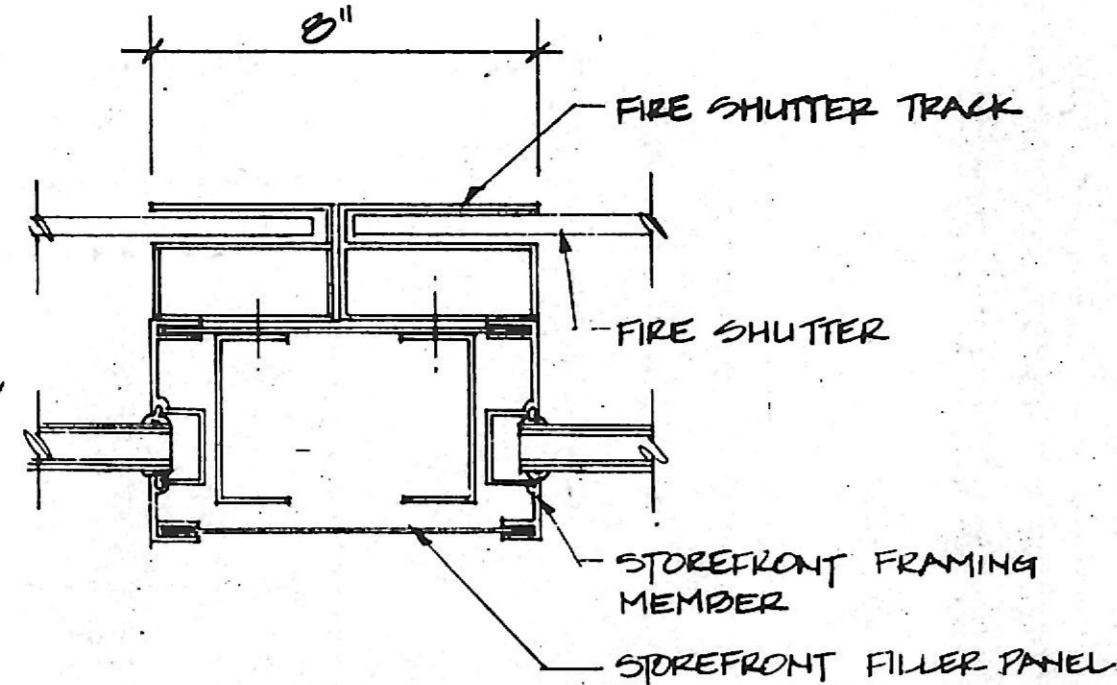
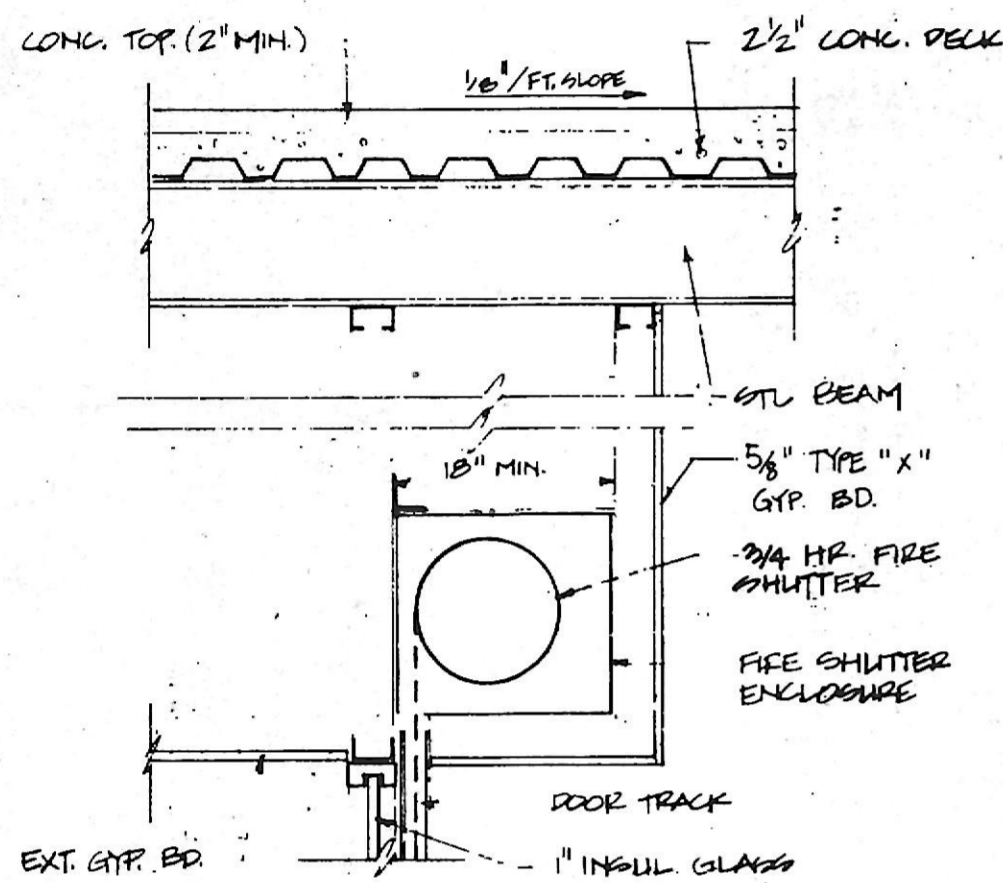


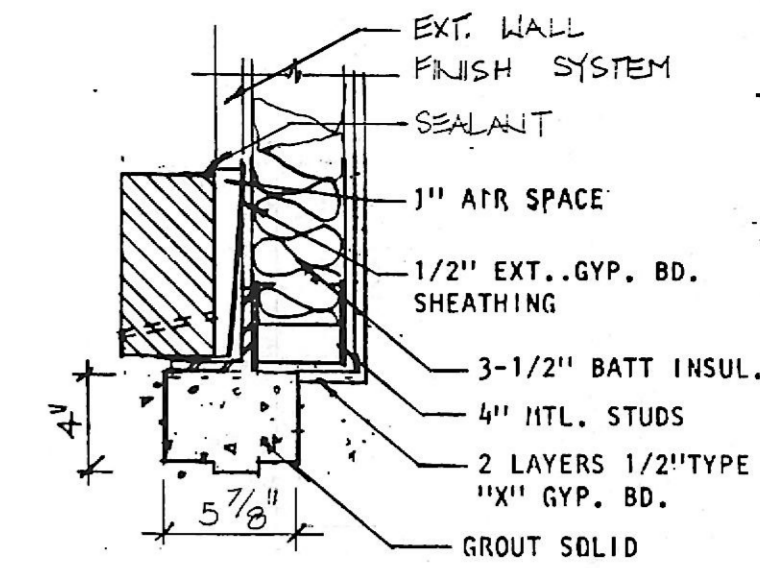
16 JAMB COLUMN DETAIL
A-10 1 1/2\"/>



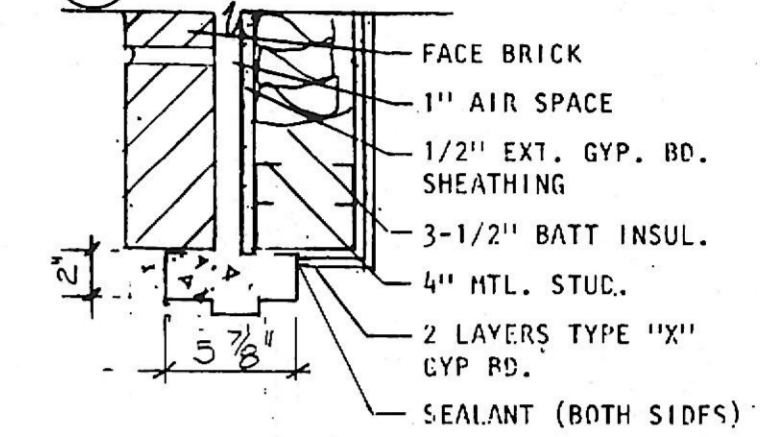
14 DETAIL
A-10 3\"/>



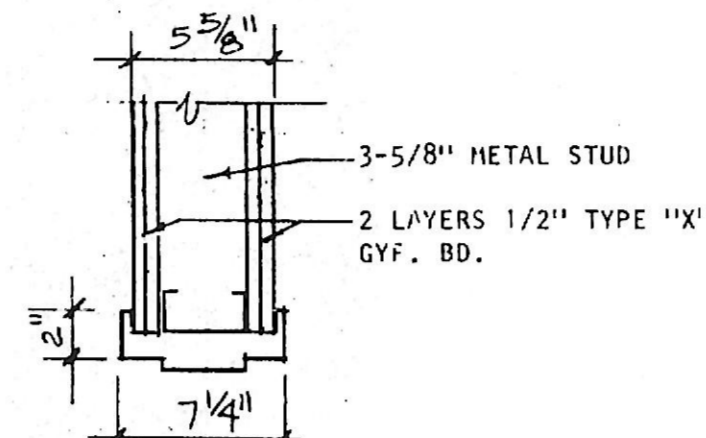
13 COILING DOOR DETAIL
A-10 3/4\"/>



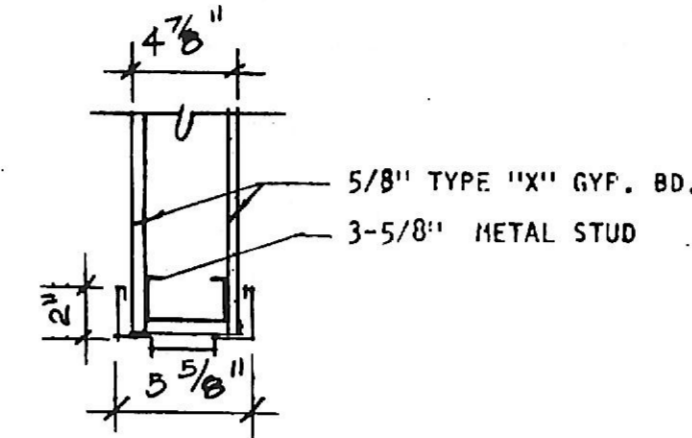
15 HEAD
A-10



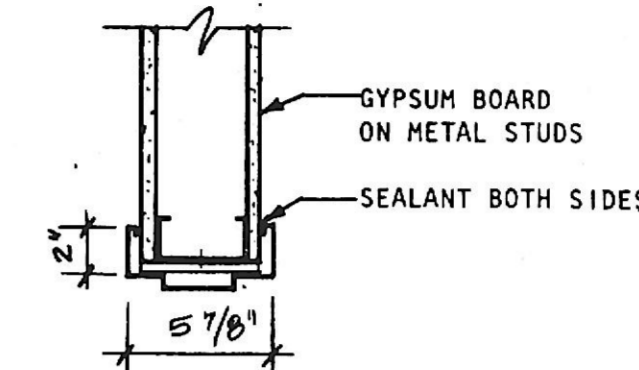
16 JAMB
A-10



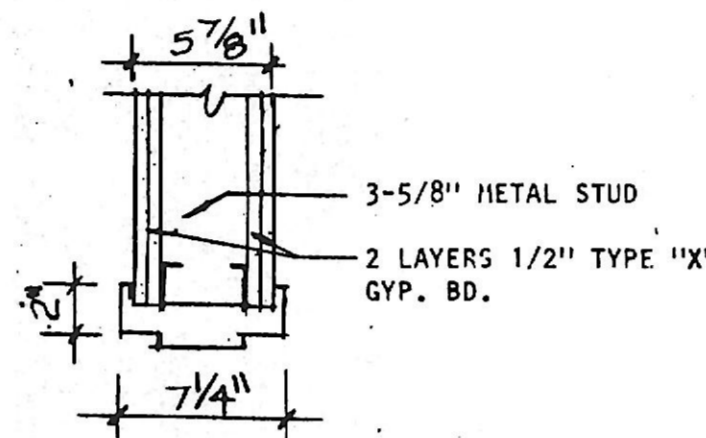
1 HEAD



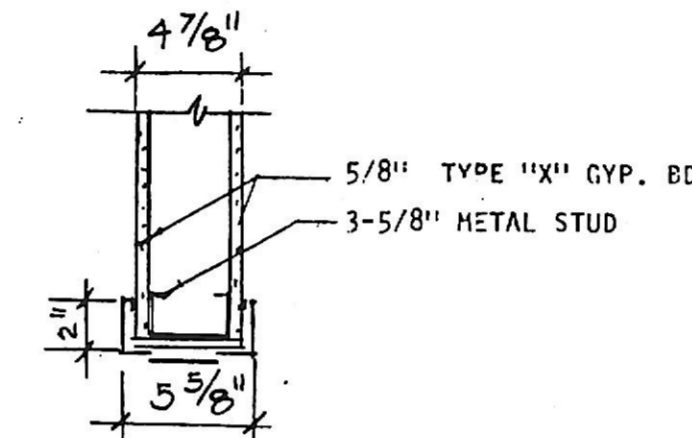
3 HEAD



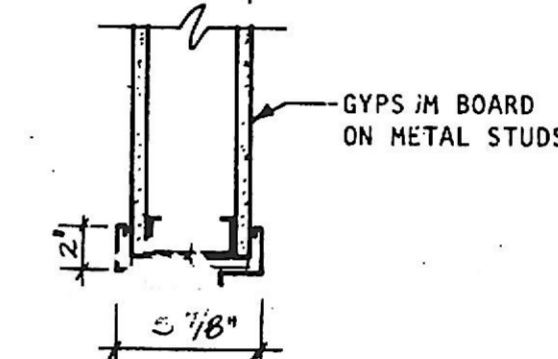
5 HEAD



2 JAMB

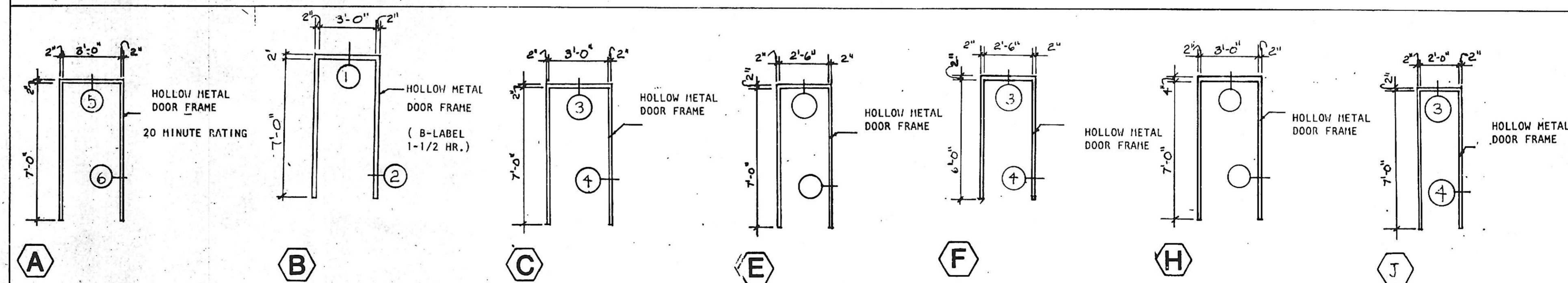


4 JAMB

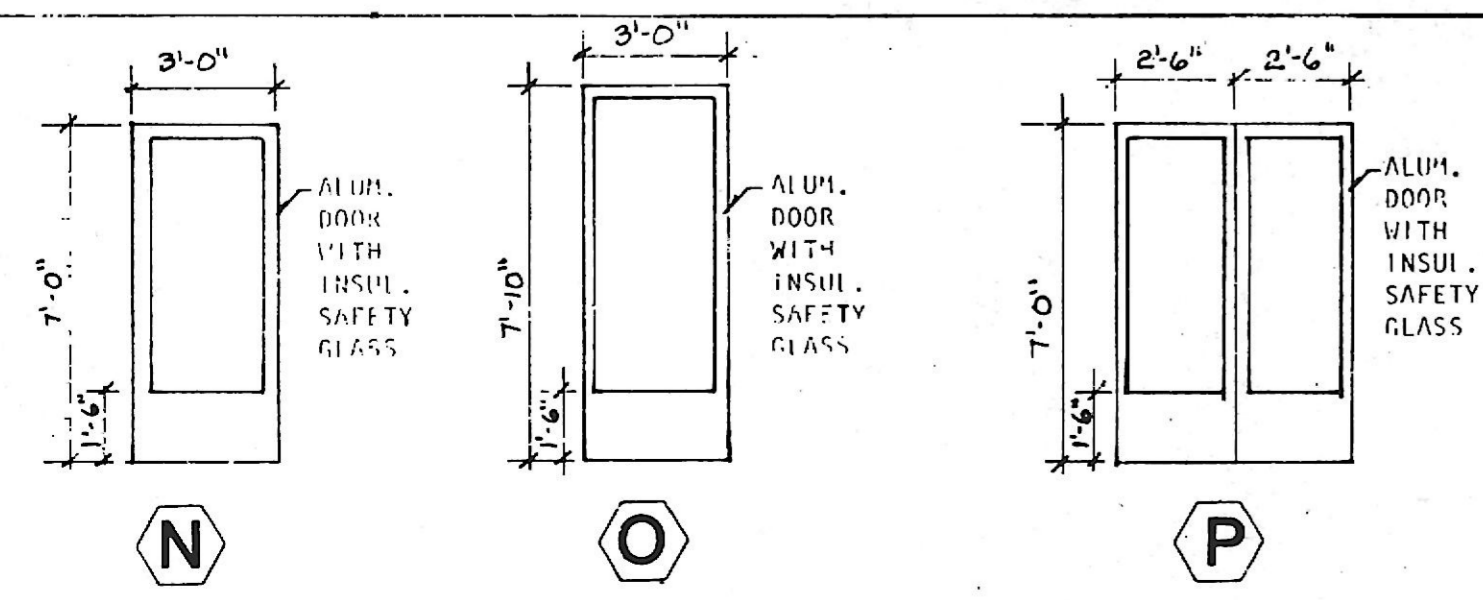
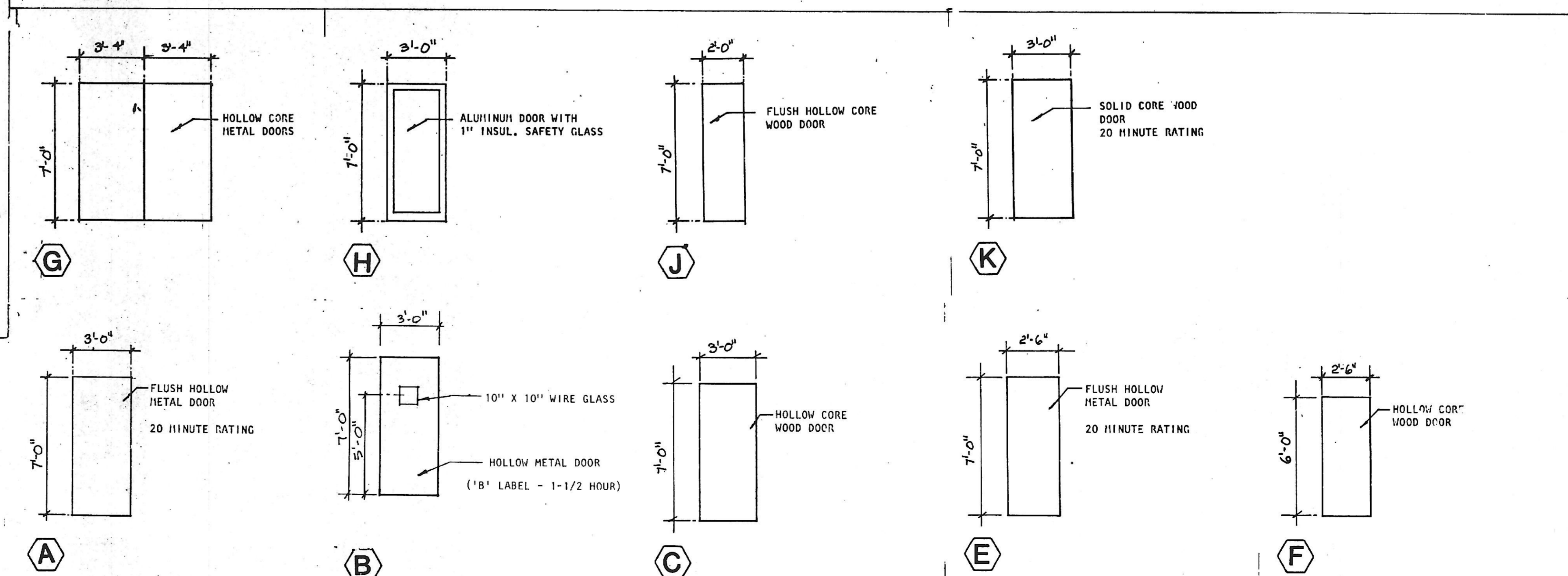


6 JAMB

DOOR FRAMES



DOORS



SKARDA & ASSOCIATES
structural engineers
4806 york road
baltimore, maryland
21212
301-435-9330

Lapicki-Smith
ASSOCIATES, P.A.

THE PROFESSIONAL CENTER
211 WEST FAYETTE STREET
BALTIMORE, MARYLAND 21201
(301) 685-4900

project no. 85.07

22 WEST ALLEGHENY

THE ALTFELD COMPANY
developer

7707 GRASTY RD.
PIKESVILLE MD. 21208
301-486-2267

drawing title
DETAILS DOORS
& DOORFRAMES

date
PERMIT 10-21-85
REV. 12-11-85

drawing no.
A10