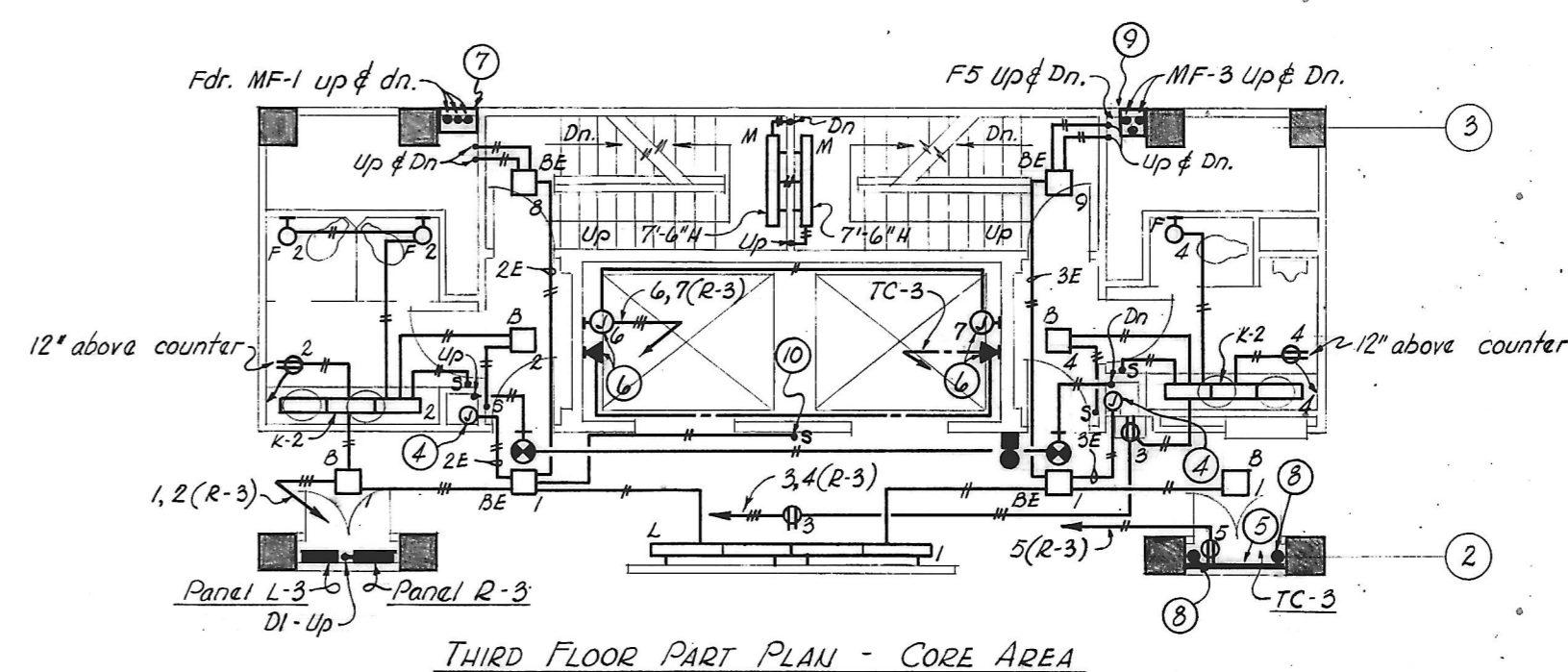
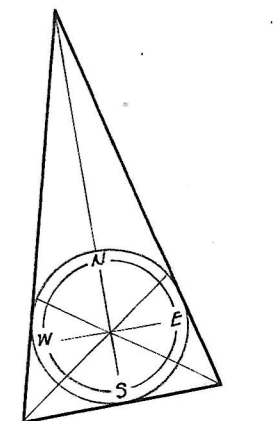


THIRD FLOOR PLAN (AT FLOOR)  
Scale: 1/8" = 1'-0"



NOTES

- ① 18" wide divided trench header (6" power, 10" telephone) with grommets to floor cells.
- ② 27" wide trench header with grommets to floor cells. Provide panel connection unit & 3" x 18" duct riser assembly terminated 12" above finished floor.
- ③ 9" wide trench header with grommets to floor cells. Provide panel connection unit & 2 1/2" x 5" duct riser assembly complete to panel.
- ④ 32 volt emergency riser J.B. flush in wall above ceiling. Riser conduits up & dn. from J.B.
- ⑤ 3/4" Plywood board (8'-0" high) for Telephone equipment.
- ⑥ J.B. for elevator car power service & telephone outlet for car telephone shall be located 10'-4" above Third Floor level. Electrical equipment shall be located so as to avoid interference with Elevator equipment.
- ⑦ Provide 30" x 18" x 12" D. Flush screw cover J.B. in wall immediately below ceiling. In each bottom entrance provide 1/2" Type S cable support properly sized for the O.D. of the wires used.
- ⑧ 4" nipple through floor.
- ⑨ Same as ⑦ except J.B. shall be 12" W x 24" H x 12" D.
- ⑩ Center switch 6" over elevator call button station.
- ⊕ Provide 8-1P-20A & 2-1P-30A C.B. in Panel R-3 in addition to those shown on Dwg E-7
- ⊕ Receptacle, Hubbell Cat No 3333-G.
- ⊕ Wall clock, Simplex Type 58-45
- ⊕ Calling clock, Simplex Type 88-35
- ⊕ Extend 5-#14-3/4" from Process Center A.C. Units to Fan and Pump controls in Paritthouse.
- ⊕ Provide Plug-Mold G-4000 with divider. Attach to floor & feed from trench.



REVISIONS			
NO.	DATE	ITEM	REF.
1	4/5/68	DR. S. KEYSER	Δ
2	4/10/68	ALEX BROWN	Δ
3	4/27/68	ADD 25 KW. SEPARATE CIRCUIT FOR TELETYPE	Δ
4	8/13/68	ALEX BROWN	Δ

FIRM H.A. INC. SEAL H.A. JOB NO. N-16  
 DESIGNED BY ABM  
 DRAWN BY JHBL  
 CHECKED BY RB  
 APPROVED BY RB  
 H. A. Inc. Professional Engineer

STRUCTURAL ENGINEERING  
 VAN RENSSELAER P. SAXE  
 1701 ST. PAUL ST. BALTO, MD. 21202

MECHANICAL-ELECTRICAL ENGINEERING  
 HENRY ADAMS, INC.  
 2319 ST. PAUL ST. BALTO, MD. 21218

CHRISTIE, NILES & ANDREWS  
 27 N. Pennsylvania Ave. Towson, Maryland 21284  
 1047 31st Street, N.W. Washington, D.C. 20007  
 ARCHITECTS

OFFICE BUILDING  
 FOR  
 NOTTINGHAM FARMS INC.  
 102 W. PENNSYLVANIA AVE.  
 TOWSON, MARYLAND 21204

THIRD FLOOR PLANS

JOB NO.	6522	E-4
SCALE	1/8" = 1'-0"	
DATE	SEPT. 27, 1966	
LAST REV.	10-15-68	

MICROFILMED