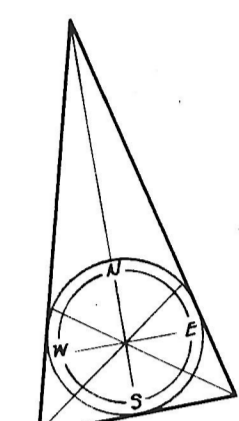
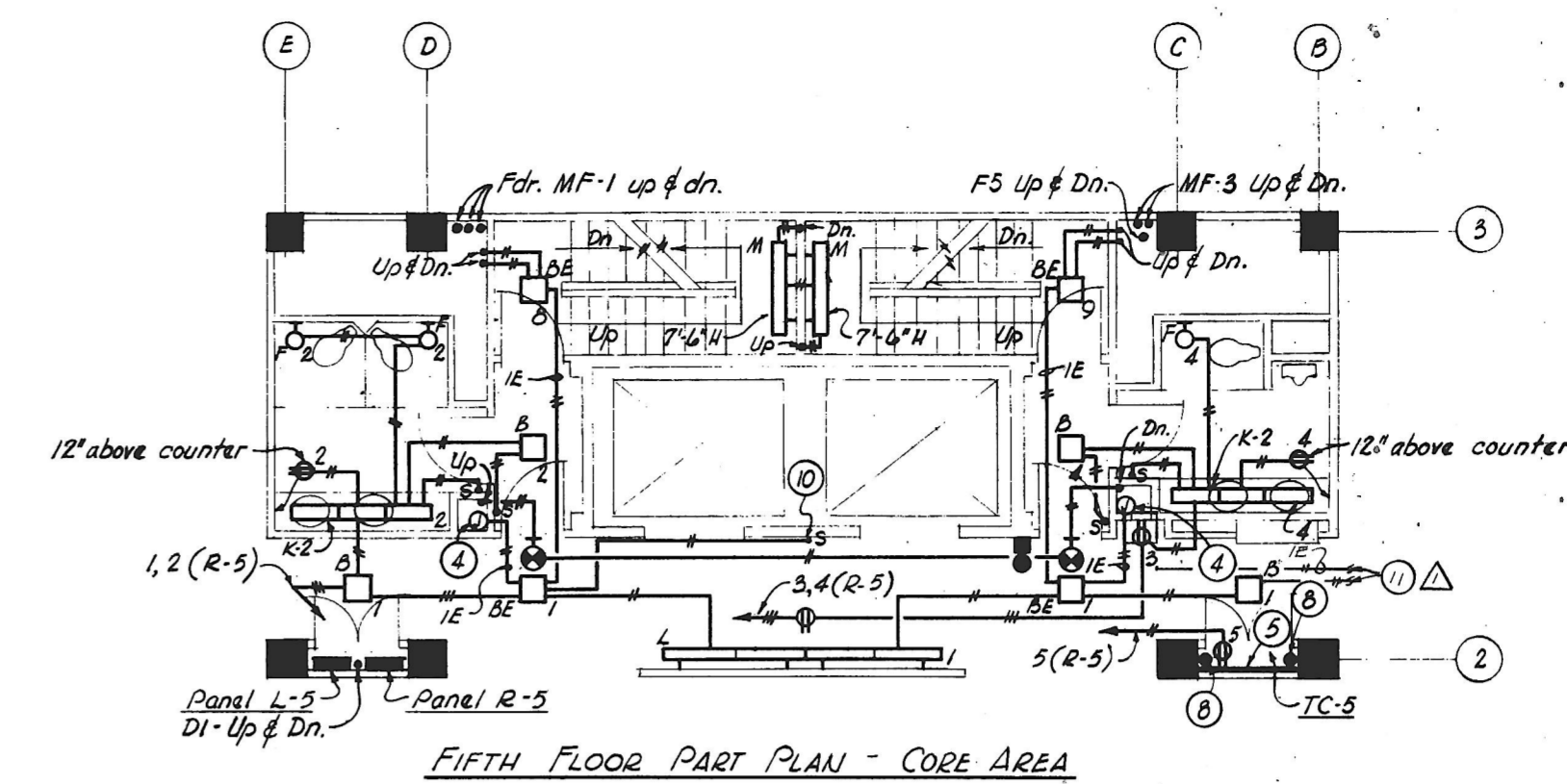


FIFTH FLOOR PLAN (AT FLOOR)
Scale: 1/8" = 1'-0"



REVISIONS			
NO.	DATE	ITEM	REF.
1	9/30/67	EXTEND BRANCH CT.	△
2	9/30/67	SMITH & SANDLER	△
3	9/30/67	SMALKEN & HESSIAN	△
4	11-67	MILES & STOCKBRIDGE	△
5	12-67	EASTERN ENPL. SERV., INC.	△
6	4/15/68	R.J. THOME & CO., INC.	△
7	4/3/68	JOHN HANCOCK M.I.C.	△

FIRM H.A. INC. SEAL H.A. JOB NO. N-16
 DESIGNED BY A.B.M.
 DRAWN BY J.H.B.L.
 CHECKED BY R.B.
 APPROVED BY R.B. *Richard Hudgins*

STRUCTURAL ENGINEERING
 VAN RESSLAER P. SAXE
 1701 ST. PAUL ST. BALTO, MD. 21202
 MECHANICAL-ELECTRICAL ENGINEERING
 HENRY ADAMS, I.C.E.
 2315 ST. PAUL ST. BALTO, MD. 21218

CHRISTIE, NILES & ANDREWS
 ARCHITECTS

OFFICE BUILDING
 FOR
NOTTINGHAM FARMS INC.

102 W. PENNSYLVANIA AVE.
 TOWSON, MARYLAND 21284

FIFTH FLOOR PLAN

JOB NO.	6522	E4E
SCALE	1/8" = 1'-0"	
DATE	SEPT. 27, 1964	
LAST REV.	DEC. 13, 1967	

- NOTES**
- 18" wide divided trench header (4" power, 10" telephone) with grommets to floor cells.
 - 27" wide trench header with grommets to floor cells. Provide panel connection unit & 3" x 18" duct riser assembly terminated 12" above finished floor.
 - 9" wide trench header with grommets to floor cells. Provide panel connection unit & 2 1/2" x 5" duct riser assembly complete to panel.
 - 32 volt emergency riser J.B. flush in wall above ceiling. Riser conduits up & dn. from J.B.
 - 3/4" Plywood board (8'-0" high) for Telephone equipment.
 - J.B. for elevator car power service & telephone outlet for car telephone shall be located 10'-4" above Third Floor level. Electrical equipment shall be located so as to avoid interference with Elevator equipment.
 - Provide 30" H x 18" W x 12" D flush screw cover J.B. in wall immediately below ceiling. In each bottom entrance provide 102" Type S cable support properly sized for the O.D. of the wires used.
 - 4" nipple through floor.
 - Same as 7) except J.B. shall be 12" H x 24" W x 12" D.
 - Center switch 4" over elevator call button station.
 - For cont see dwg E-4D.
 - Provide 10-1P, 20A C.B. in Panel R-5 in addition to those shown on DWG E-7.

MICROFILMED