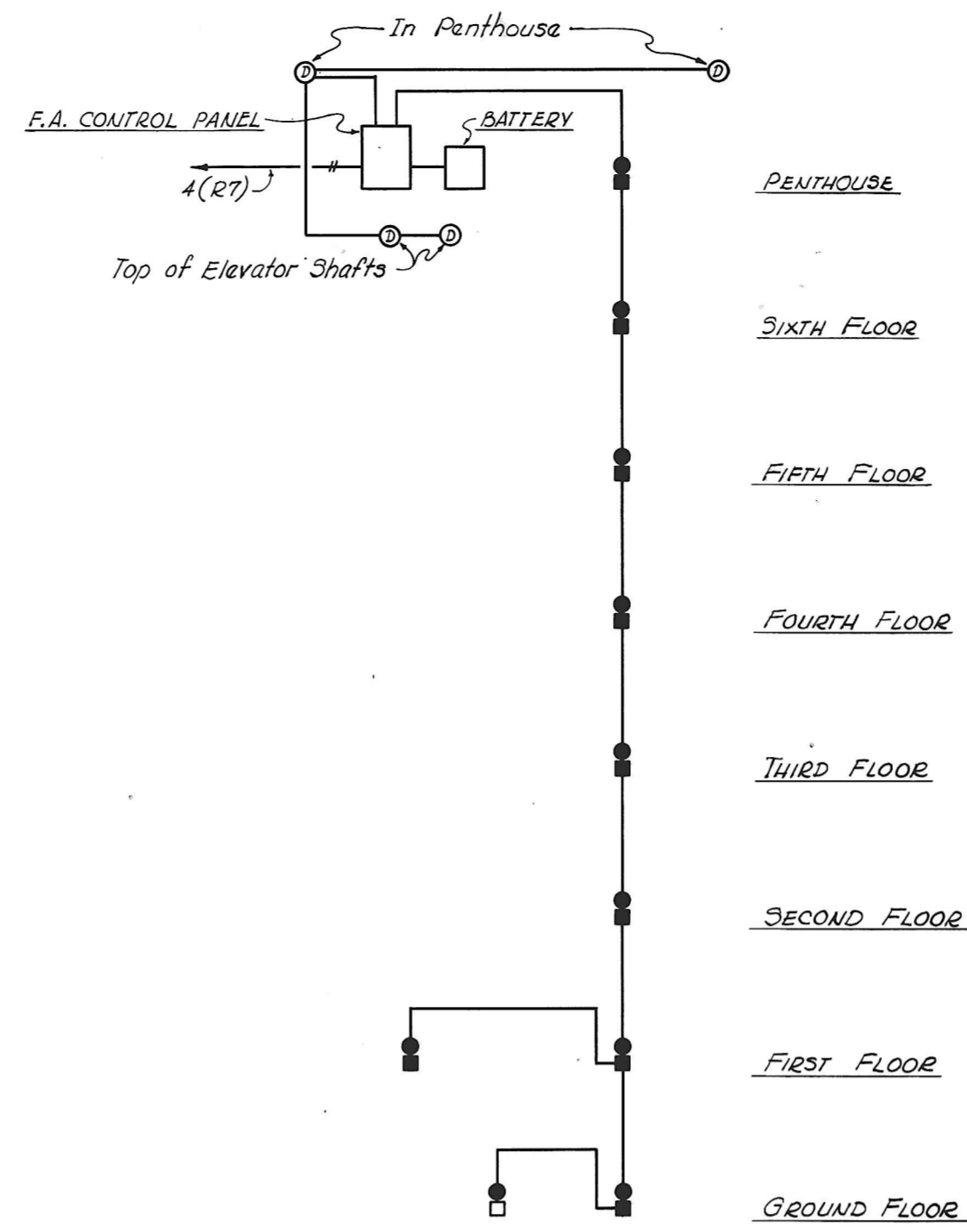


POWER RISER DIAGRAM



FIRE ALARM RISER DIAGRAM

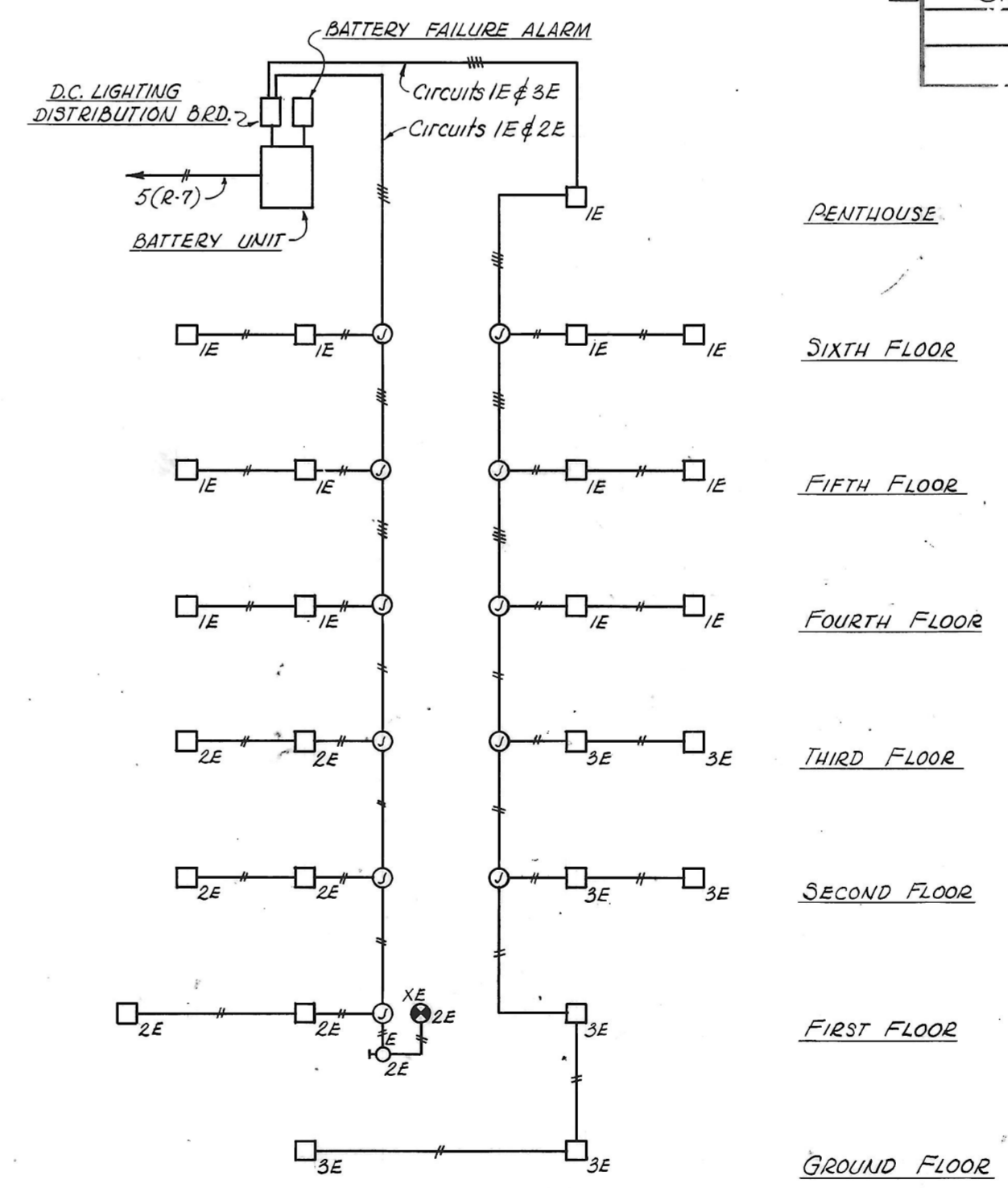
MAIN SWITCHBOARD											
MAINS 1200A-480/277-3φ-4W/3C											
CIRCUIT NO.	SERVES	HP	CIRCUIT BREAKER		MOTOR STARTER			WIRING			
			POLES	TRIP	SIZE	AUX. CONTACTS	P.B. STATION	H.O.A. SW.	PILOT LT.	NO.	SIZE
F1	Lighting Feeder	-	3	300	-	-	-	-	4	250W	3"
F2	Transformer for 120/208V	-	3	225	-	-	-	-	3	3/0	2"
F3	Elevators	-	3	125	-	-	-	-	3	2	1 1/4"
F4	Refrigeration Mach.	180KW	3	350	-	-	-	-	3	350W	3"
F5	Snow Melting Reheat Coil **	4.4KW	3	100	-	-	-	-	4	4	1 1/4"
F6	A.H.U. #1	7.5KW	3	15	0*	-	-	-	5	12	1"
F7	A.H.U. #2	30HP	3	70	3	-	-	-	3	4	1"
F8	Fan #1	15HP	3	40	2	-	-	-	3	10	3/4"
F9	Fan #2	10HP	3	30	1	-	-	-	3	12	"
F10	" #3	7 1/2HP	3	20	1	-	-	-	3	12	"
F11	" #4	1 1/2HP	3	15	0	-	-	-	3	12	"
F12	" #5	1 1/2HP	3	15	0	-	-	-	3	12	"
F13	Pump #1	1/2HP	3	15	0	-	-	-	3	12	"
F14	" #2	1/2HP	3	15	0	-	-	-	3	12	"
F15	" #3	1HP	3	15	0	-	-	-	3	12	"
F16	" #4	1HP	3	15	0	-	-	-	3	12	"
F17	" #5	15HP	3	40	2	-	-	-	3	10	"
F18	" #6	10HP	3	30	1	-	-	-	3	12	"
F19	Cooling Tower Fan #1	15HP	3	40	2	-	-	-	3	10	"
F20	" #2	15HP	3	40	2	-	-	-	3	10	"
F21	Temp. Control Air Compr. Duplex 2 @	1/2HP	3	20	-	-	-	-	3	12	"
F22	Unit Heater	12.5KW	1	70	-	-	-	-	2	6	1"
F23	"	12.5KW	1	70	-	-	-	-	2	6	1"
F24	Space	-	3	20	-	-	-	-	4	2	2"
F25	DP-AB	-	3	100	-	-	-	-	4	2	2"

** Connect 2#12 wires to safety thermostat on heater to shut down heater.
* Starter without overloads.

PANELBOARD SCHEDULE								
PANEL NO.	BRANCH CIRCUIT BREAKERS	BRANCH BREAKER SPACES	MAINS				MOUNTING	REMARKS
			LUGS	BKR.	PHASE	WIRES		
R-1	42-20AIP	-	225A	3	4	208/120	SURFACE	20"W x 5 1/4"D. Pnl.
R-2	24-20AIP	12-1P	225A	"	"	"	"	"
R-3	25-20AIP	11-1P	225A	"	"	"	"	"
R-4	24-20AIP	12-1P	225A	"	"	"	"	"
R-5	24-20AIP	12-1P	225A	"	"	"	"	"
R-6	30-20AIP	-	100A	"	"	"	"	"
R-7	11-20AIP, 1-15A1P	4-1P	100A	"	"	"	"	14"W x 4"D. Pnl.
L-1	14-20AIP, 3-30A3P, 1-20A3P, 1-15A3P	5-1P	125A	3	4	480/277	SURFACE	"
L-2	10-20AIP	6-1P	100A	"	"	"	"	"
L-3	10-20AIP	6-1P	100A	"	"	"	"	"
L-4	10-20AIP	6-1P	100A	"	"	"	"	"
L-5	10-20AIP	6-1P	100A	"	"	"	"	"
L-6	10-20AIP	6-1P	100A	"	"	"	"	"

PANEL DP1							
MAINS 400A-208/120V-3φ-4W/3C							
CIRCUIT NO.	SERVES	HP OR WATTS	PHASE	BREAKER		WIRING	
				POLES	TRIP	NO.	SIZE
D1	Panel R-1, R-2, R-3	3φ 4W	3	250	4	4/0	3"
D2	Panel R-4, R-5, R-6	"	3	250	4	4/0	3"
D3	Panel R-7	"	3	50	4	8	1"
D4	Water Heater	* 9000W	3φ 3W	3	50	3	8 3/4"
D5	Space	"	3	50	"	"	"
D6	Space	"	3	"	"	"	"

* Two 4500W 1φ heater elements. Connect one element to phases AB & the other element to phases BC.



32 VOLT EMERGENCY RISER DIAGRAM

Note: Unless otherwise noted, all lty. fixtures shall be type 'BE'.
(All wiring #10)

PANEL DP-AB							
MAINS 100A-208/120V-3φ-4W/3C							
CIRCUIT NO.	SERVES	HP OR WATTS	PHASE	BREAKER		WIRING	
				POLES	TRIP	NO.	SIZE
AB-1	45 KVA Dry Type Transf.		3φ 4W	3	70	4	6 1/4"
AB-2	A.C. Units No 1 & 2		3φ 3W	3	70	3	4 1/4"
AB-3	Circ. Pump No 1	1	"	3	20	3	12 3/4"
AB-4	Circ. Pump No 2	1	"	3	20	3	12 3/4"
AB-5	Fan	3/4	"	3	20	3	12 3/4"
AB-6	Fan	3/4	"	3	20	3	12 3/4"
AB-7	Fan	3/4	"	3	20	3	12 3/4"
AB-8	Fan	3/4	"	3	20	3	12 3/4"

ELECTRICAL SYMBOLS	
SYMBOL	DESCRIPTION
□	CEILING FLUORESCENT FIXTURE
□	SINGLE LAMP FLUORESCENT FIXTURE
□	CEILING TYPE INCANDESCENT FIXTURE
○	WALL MOUNTED INCANDESCENT FIXTURE
○	CEILING OR STEM SUSPENDED EXIT SIGN
○	WALL MOUNTED EXIT SIGN
□	WALL MOUNTED FLUORESCENT FIXTURE
□	PATH LIGHT
○	WALL MTD. PORCELAIN KEYLESS LAMPHOLDER MTD. ON 4" SQ. BOX
S	SINGLE POLE SWITCH 4-6"H.
S ₃	THREE WAY SWITCH "
S ₃	SINGLE POLE SWITCH WITH PILOT LIGHT "
⊕	DUPLEX 20A-125V RECEPTACLE 18"H.
⊕	FLOOR OUTLET WITH DUPLEX 15A-125V RECEPTACLE
⊕	FLOOR OUTLET FOR TELEPHONE
⊕	WALL OUTLET FOR TELEPHONE
⊕	* FIRE ALARM STATION & BELL (STATION 5'-0"H)
⊕	* FIRE ALARM BELL
⊕	THERMAL DETECTOR - FIRE ALARM SYSTEM
□	PANELBOARD
□	CIRCUIT BREAKER OR SAFETY SWITCH 4-6"H.
□	MOTOR STARTER
□	MANUAL MOTOR STARTING SWITCH
○	MOTOR
○	THERMOSTAT
—	CONDUIT AT OR IN CEILING
---	CONDUIT IN OR UNDER FLOOR
---	CONDUIT FOR LOW TENSION SYSTEM
---	EXISTING CONDUIT
⊕	JUNCTION BOX IN CEILING OR FLOOR
⊕	WALL MOUNTED JUNCTION BOX
⊕	CLOCK, WALL MOUNTED, SINGLE FACE
⊕	CLOCK, CEILING MOUNTED, DOUBLE FACE

* Mount bell 6'-0"H where ceiling heights permit & in other cases as near the ceiling as possible.

ELECTRICAL ABBREVIATIONS	
A.	AMPERES
V.	VOLTS
K.V.	KILOVOLTS
∅	PHASE
CT.	CIRCUIT
C.	CONDUIT
WR.	WEATHER PROOF
FDR.	FEEDER
W.	WATTS
DC.	DIRECT CURRENT
KW.	KILOWATTS
TC.	TELEPHONE CLOSET
L.	LIGHTING PANEL
R.	RECEPTACLE PANEL
DP.	DISTRIBUTION PANEL
E.	EMERGENCY
SS.	SAFETY SWITCH
CB.	CIRCUIT BREAKER
1P.	ONE POLE
2P.	TWO POLE
3P.	THREE POLE
F.	FUSED
NF.	NON-FUSED
S/N.	SOLID NEUTRAL
HV.	HIGH VOLTAGE
SC.	SCREW COVER
J.B.	JUNCTION BOX

NO.	DATE	REV.	DESCRIPTION
1	9-30-67	REV. PANEL R-6	
2	4-10-68	NEW FEEDERS & MISC.	

DESIGNED BY
H.A. INC.
ABM
DRAWN BY
JHBL
CHECKED BY
RB
APP'VED BY
RB

STRUCTURAL ENGINEERING
VAN RENSSELAER P. SAXE
1701 ST. PAUL ST. BALTO, MD. 21202

MECHANICAL-ELECTRICAL ENGINEERING
HENRY ADAMS, I.R.C.
1915 ST. PAUL ST. BALTO, MD. 21218

ARCHITECT
CHRISTIE, NILES & ANDREWS
27 N. PENNSYLVANIA AVE.
TOWSON, MARYLAND 21286
1047 31st Street, N.W.
WASHINGTON, D.C. 20007

OFFICE BUILDING
FOR
NOTTINGHAM FARMS INC.
102 W. PENNSYLVANIA AVE.
TOWSON, MARYLAND 21204

ELECTRICAL SYMBOLS & RISER DIAGRAMS
6-22
NONE
APR 15 1968
U-10