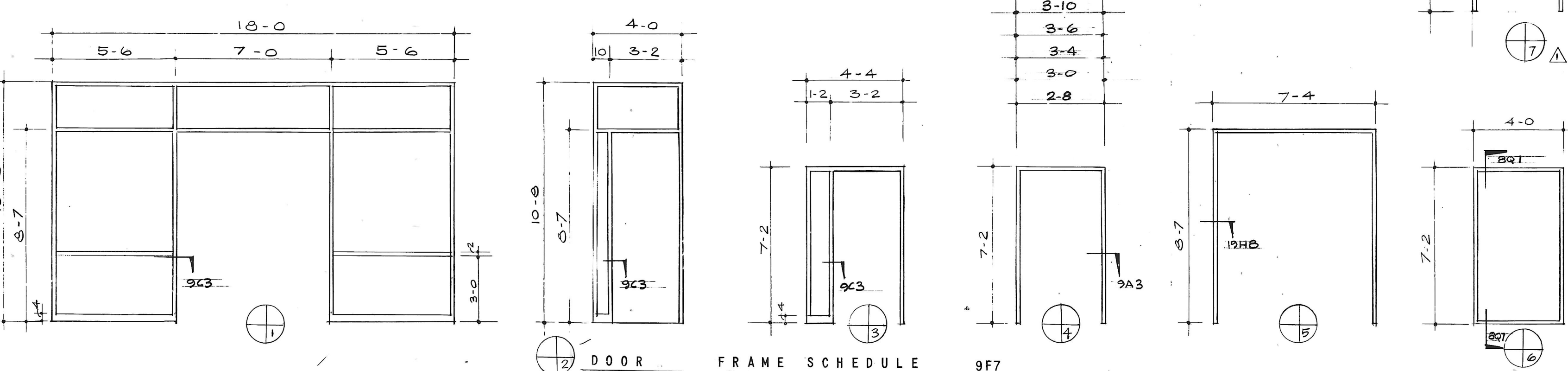
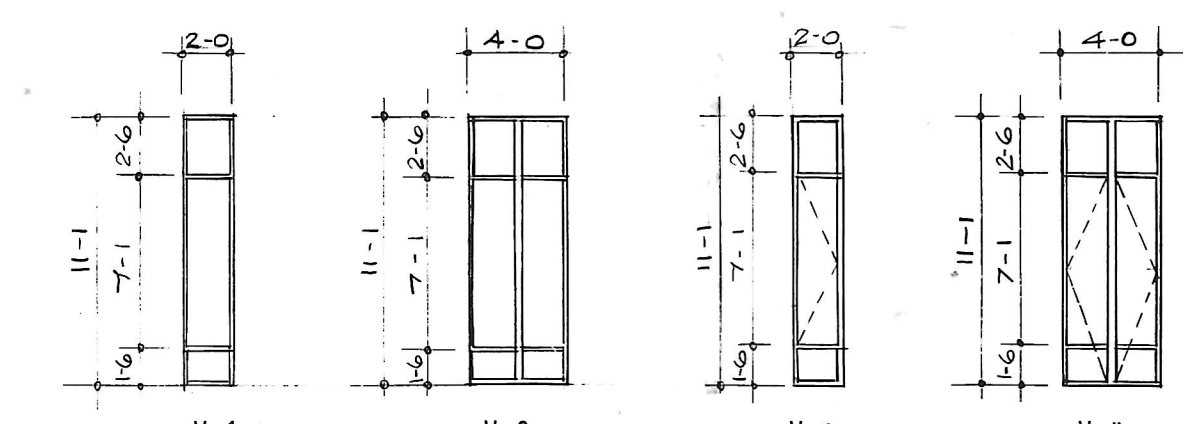


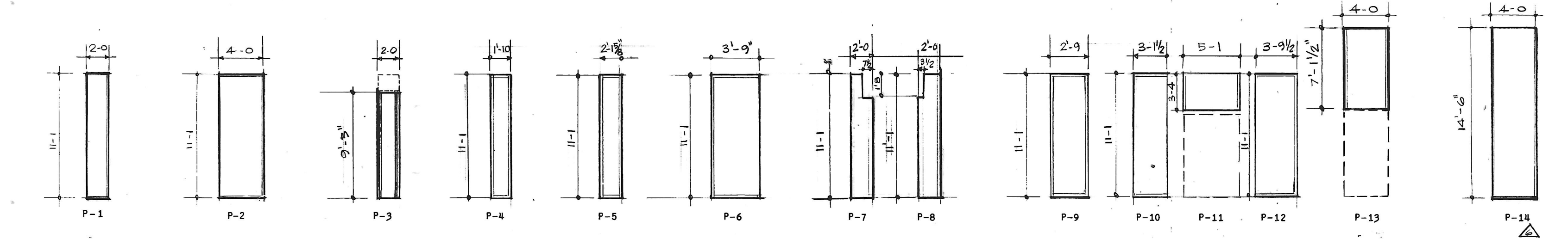
9A3 9C3



DOOR FRAME SCHEDULE 9F7

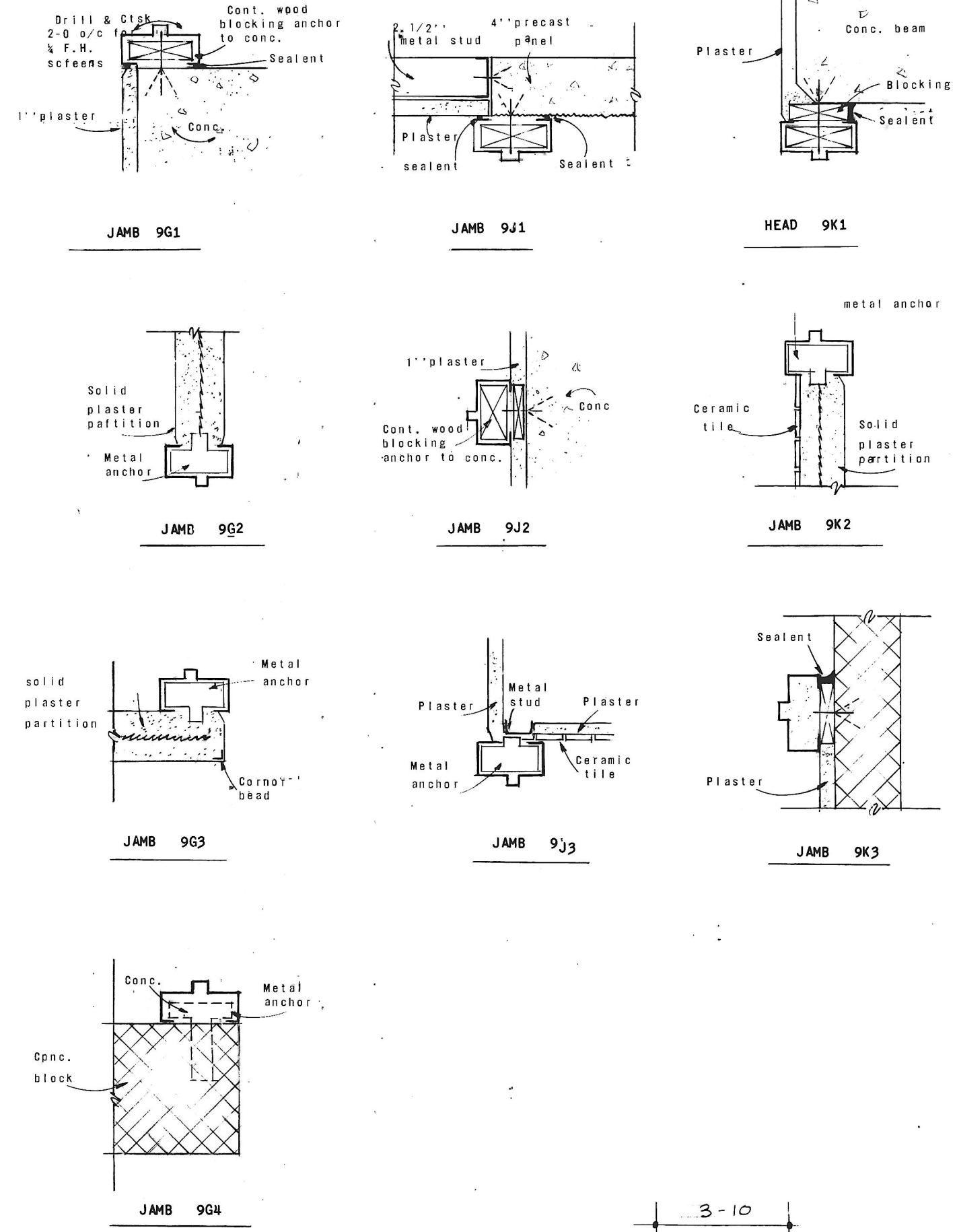


WINDOW SCHEDULE 9F8

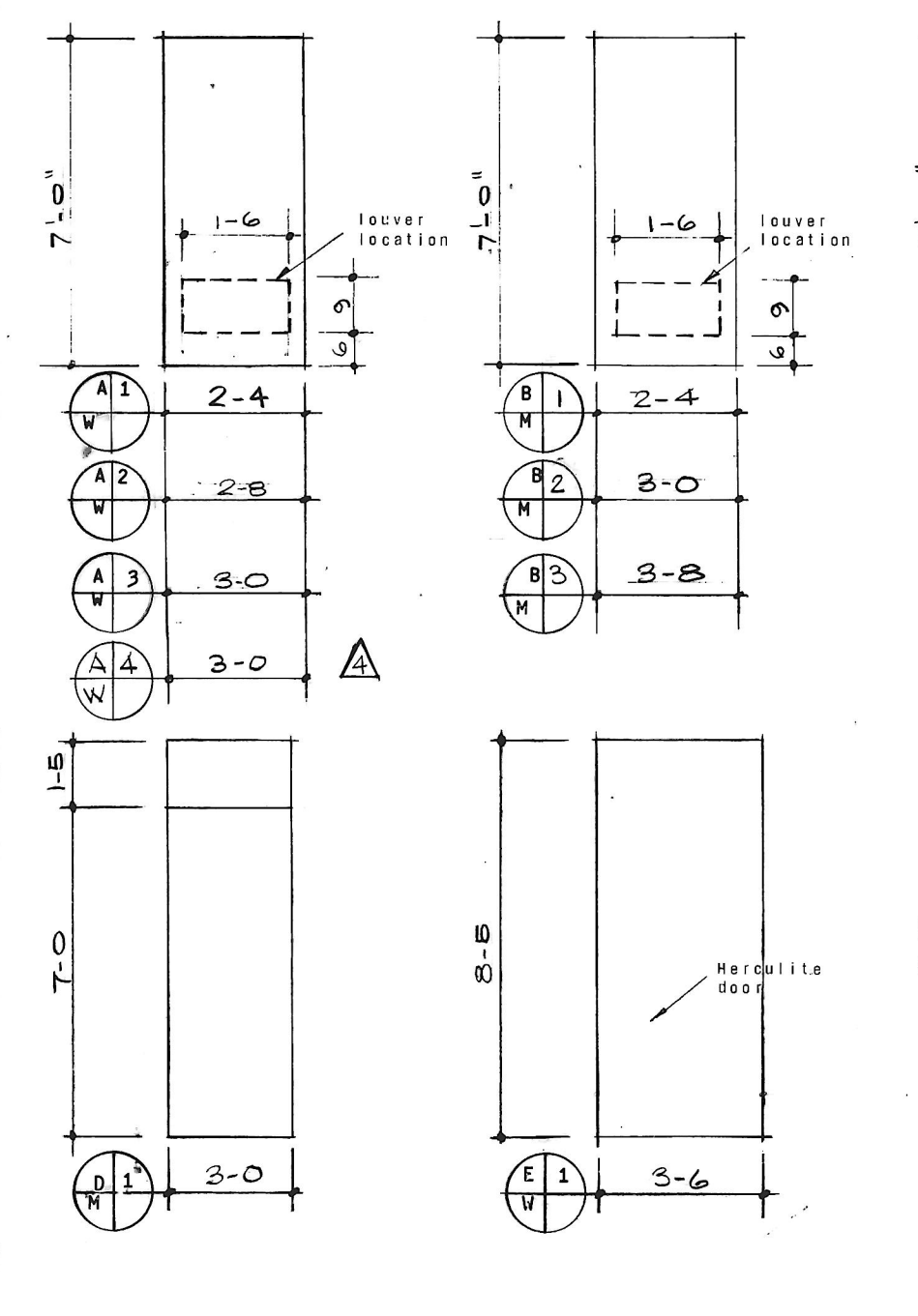


PRECAST CONCRETE PANEL SCHEDULE 9F9

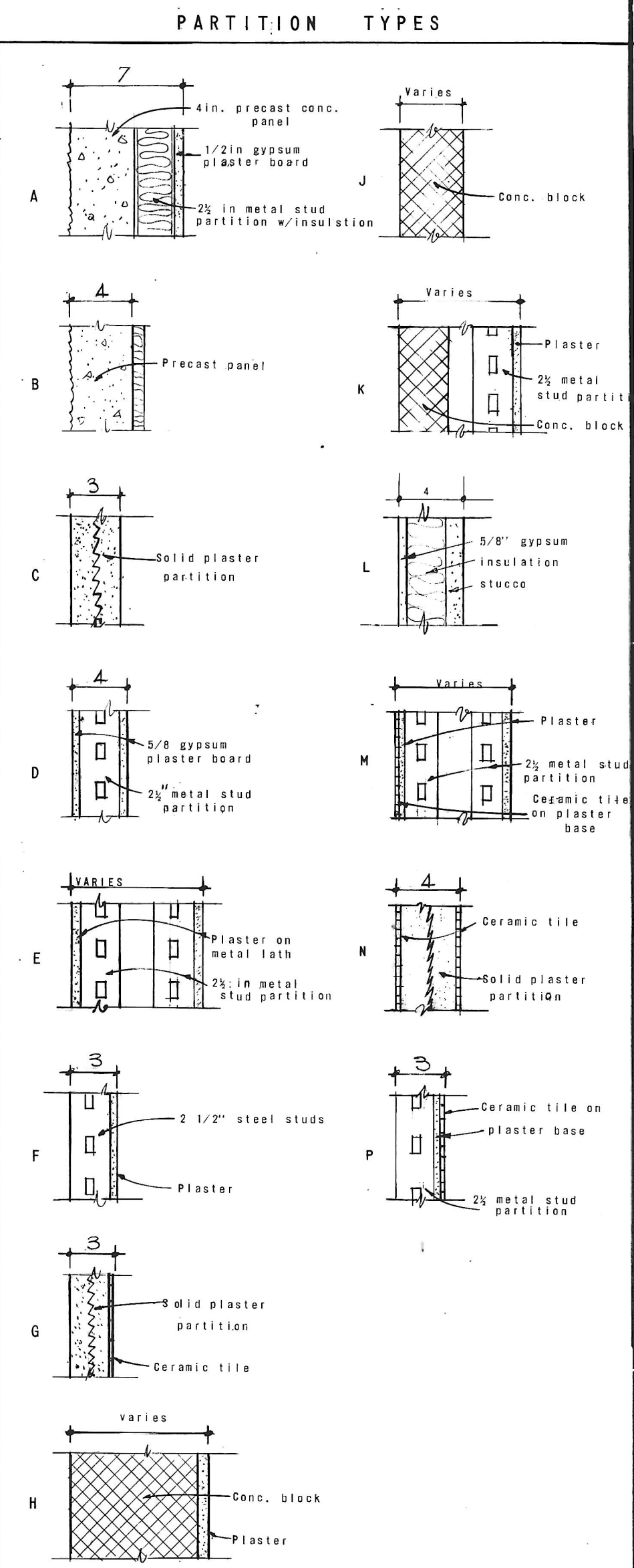
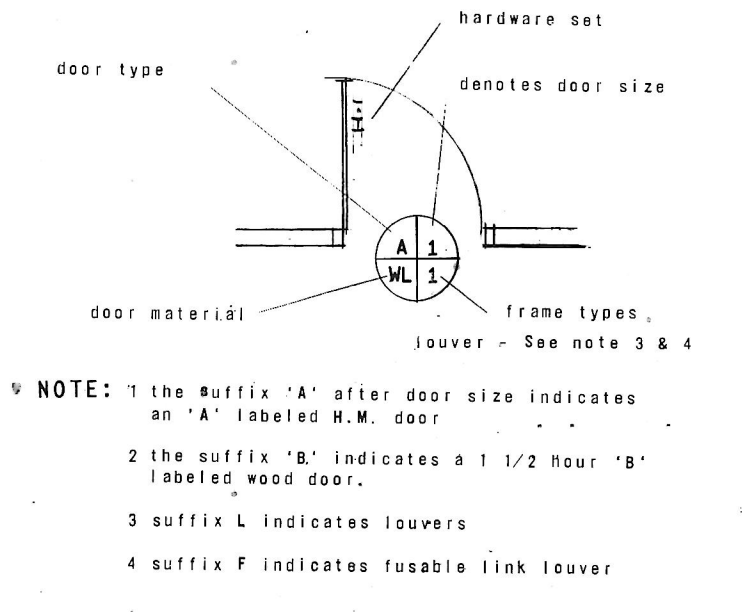
NOTE: All horizontal dimensions and vertical dimensions in panel schedule are nominal dimensions and do not allow for joints.



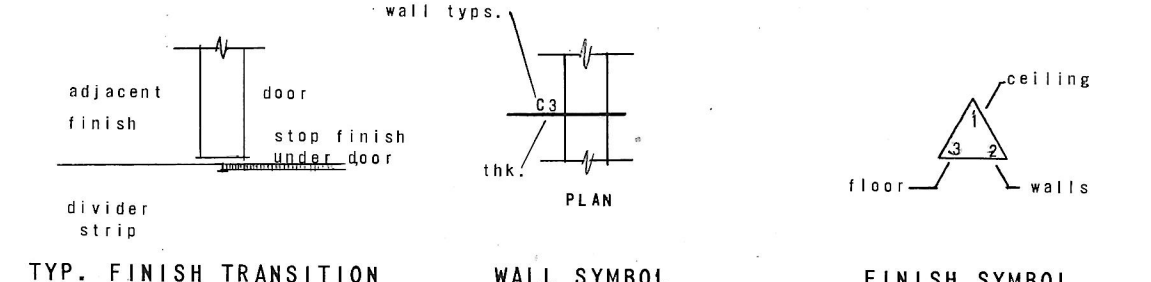
JAMB 9G1 JAMB 9G2 JAMB 9G3 JAMB 9G4 HEAD 9K1 JAMB 9K2 JAMB 9K3



DOOR SCHEDULE



PARTITION TYPES		FINISH SCHEDULE	
FLOOR & 4" BASE		1	CONCRETE - NO BASE
WALLS		2	V.A.T. & V.T.B.
CEILING		3	EXPOSED AGGREGATE & NO BASE
		4	TRAFFIC TOPPING & NO BASE
		5	CERAMIC TILE
		6	RUBBER TREADS & LANDING MAT.
		7	TERRAZZO & V.T.B.
		8	CONCRETE WITH BASE ( IN STORAGE AREAS ONLY )
		1	PAINTED PLASTER
		2	PAINTED WALL BOARD
		3	FIELD APPLIED VINYL
		4	PREFINISHED VINYL WALL BOARD
		5	CERAMIC TILE
		6	PAINTED CONCRETE BLOCK
		7	STONE AND CONCRETE
		8	ALUM. FRAME, GLASS & WOOD
		9	EXPOSED CONSTRUCTION
		10	WINDOWS
		1	PAINTED PLASTER
		2	SOUNDLOCK PANELS
		3	EXPOSED STRUCTURE
		4	INSULATED SANDWICH PANEL
		5	INSULATED PANEL



REVISIONS		
NO.	DATE	ITEM
1	OCT. 19, 1964	DOOR
2	OCT. 19, 1964	PANELS
3	OCT. 19, 1964	FLOOR SCHEDULE
4	NOV. 29, 1964	DOOR
5	13 DEC. 64	CONCRETE PANELS
6	11 JAN 67	P-14

FIRM: CNA  
 DESIGNED BY: PGC  
 DRAWN BY: JJK  
 CHECKED BY: JJK  
 APPROVED BY: PGC

STATE OF MARYLAND ARCHITECTS

STRUCTURAL ENGINEERING  
 VAN RENSSELAER P. SAXE  
 1701 ST. PAUL ST. BALTO, MD. 21202

MECHANICAL-ELECTRICAL ENGINEERING  
 HENRY ADAMS, INC.  
 2315 ST. PAUL ST. BALTO, MD. 21218

CHRISTIE, NILES & ANDREWS ARCHITECTS  
 22 N. Pennsylvania Ave. Towson, Maryland 21286  
 1047 31st Street, N.W., Washington, D.C. 20007  
 (301) 823-7402  
 (202) 442-1447

OFFICE BUILDING  
 FOR  
 NOTTINGHAM FARMS INC.  
 102 W. PENNSYLVANIA AVE.  
 TOWSON, MARYLAND 21204

FINISH SCHEDULE	DOOR SCHEDULE	DOOR FRAME SCHEDULE
JOB NO. 6522	SCALE AS NOTED	DATE Sept 27 1966
LAST REV. 11 JAN 67		<b>A9</b>