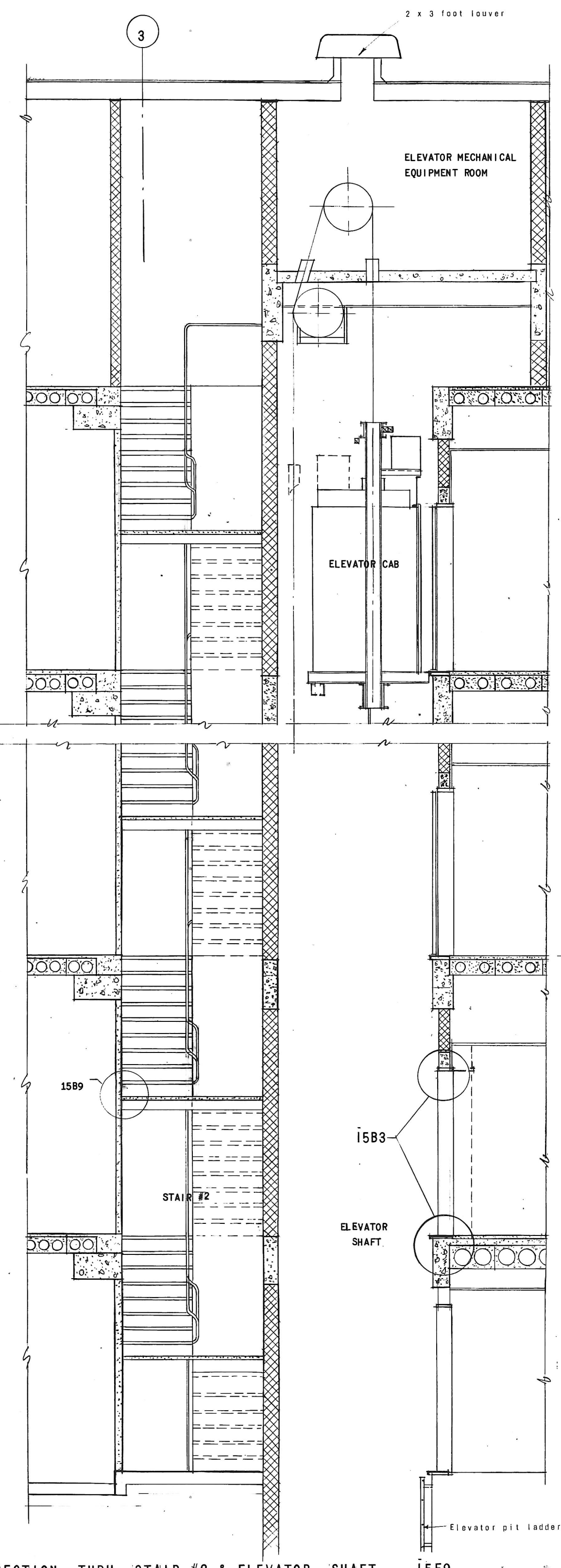
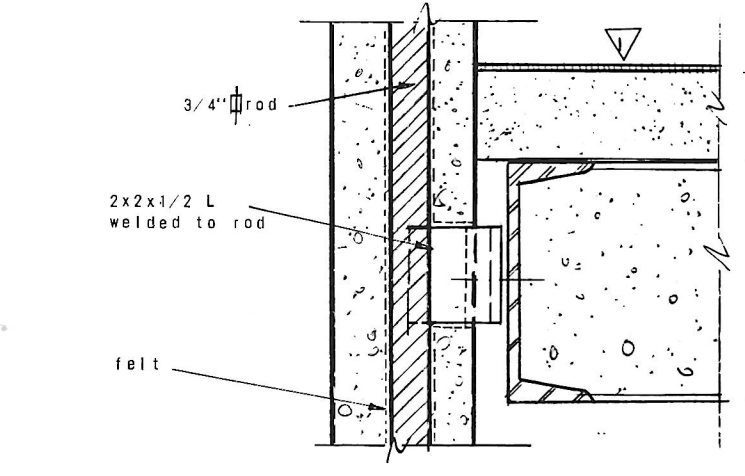
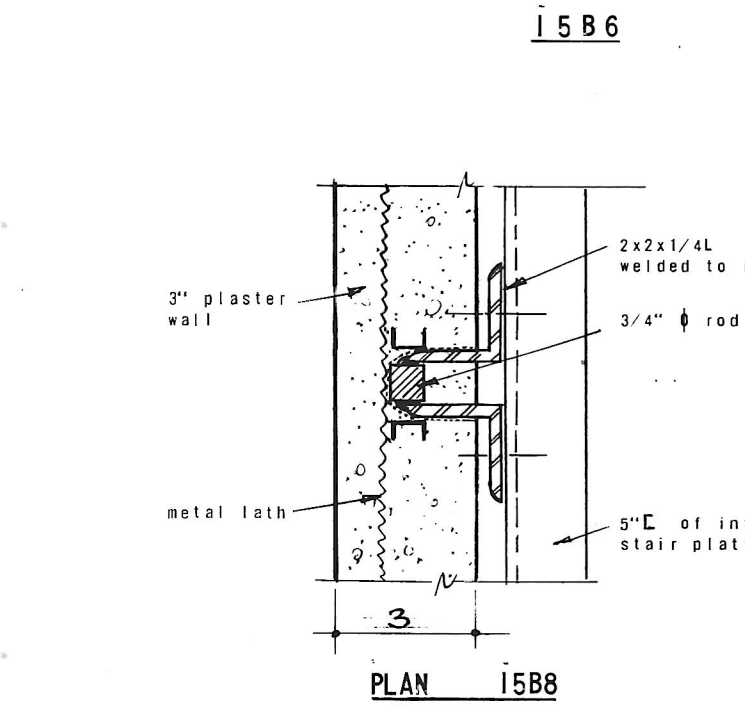
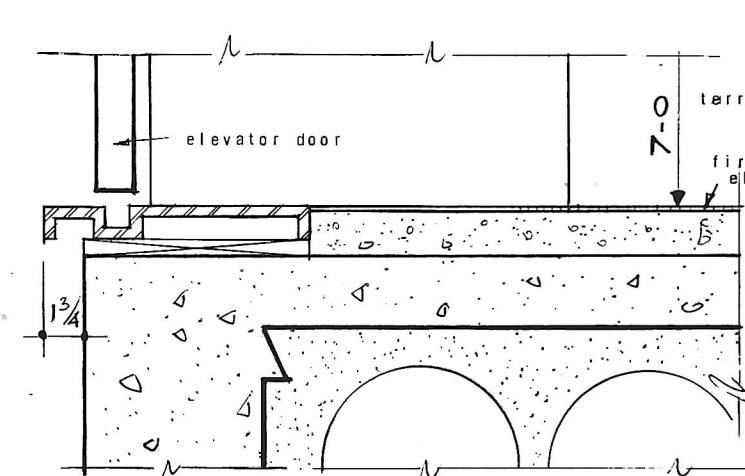
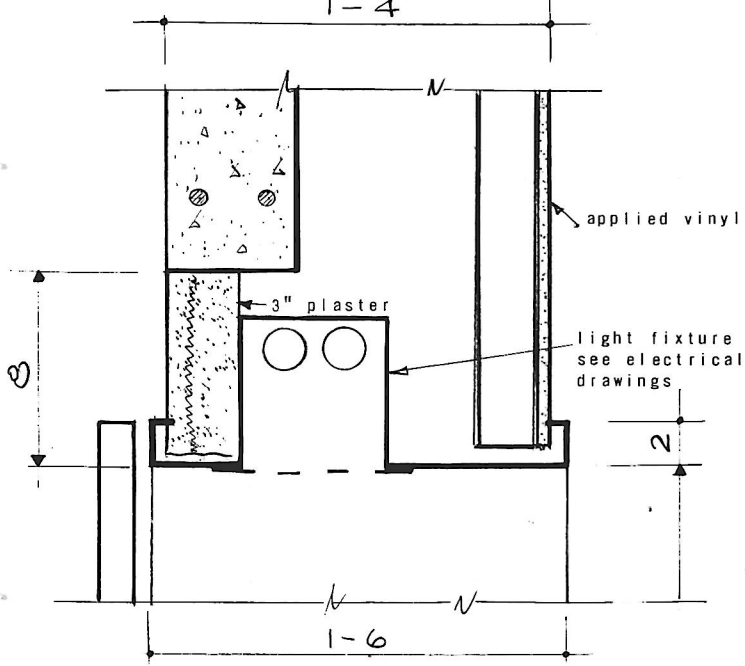
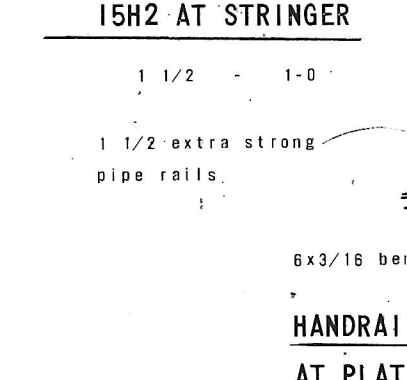


TYP. SECTION ELEVATOR DOOR 15B3
1 1/2 - 1-0

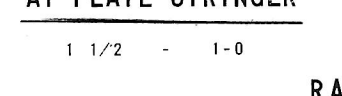


SECTION THRU STAIR #2 & ELEVATOR SHAFT 15F9
1/4 - 1-0

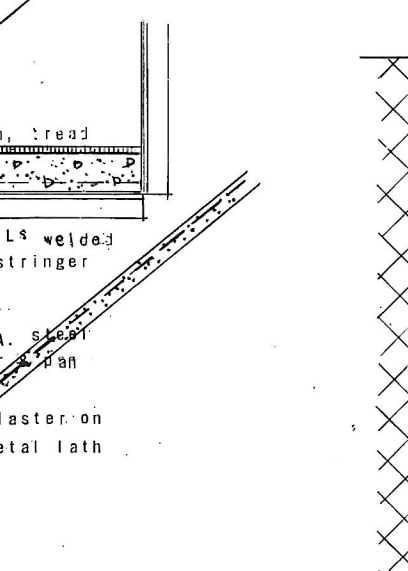
RAILING CONNECTION
15H2 AT STRINGER
1 1/2 - 1-0



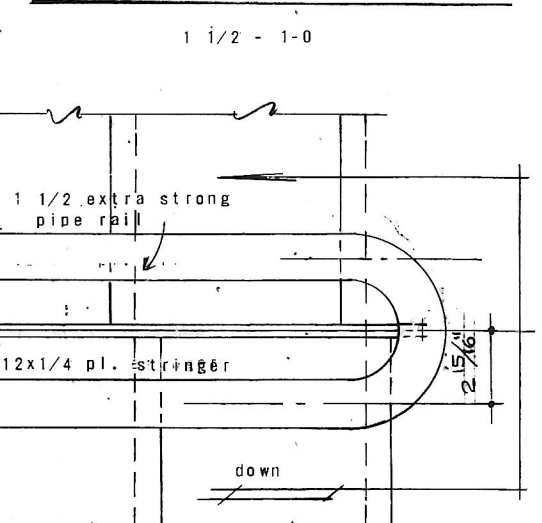
HANDRAIL SUPPORT
15H3 AT PLATE STRINGER
1 1/2 - 1-0



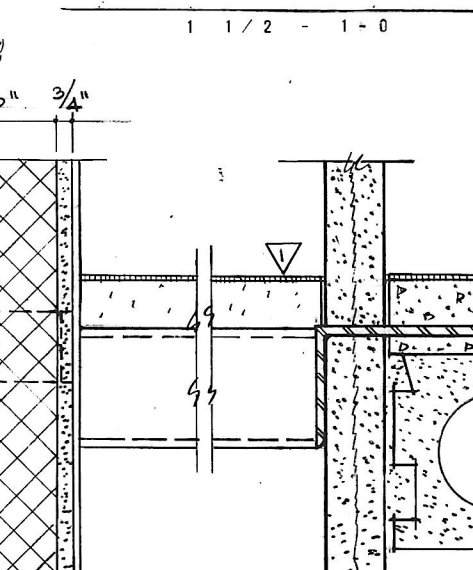
RAILING SUPPORT
15J3
1 1/2 - 1-0



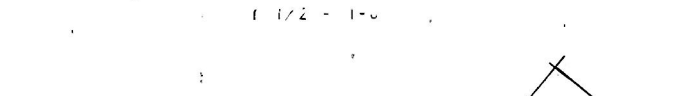
TYP. STAIR TREAD
15H4
1 1/2 - 1-0



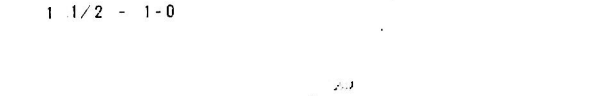
TYP. STRINGER
15K4
1 1/2 - 1-0



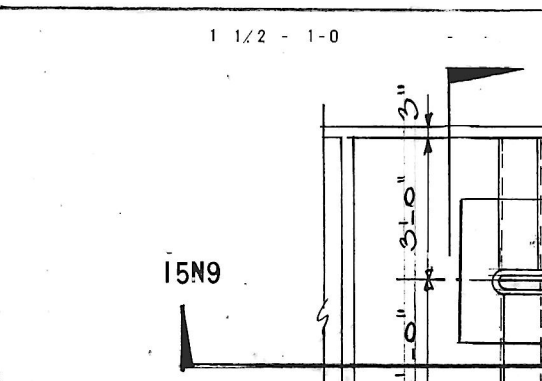
TYP. HAND-RAILING AT LANDING
15H5
1 1/2 - 1-0



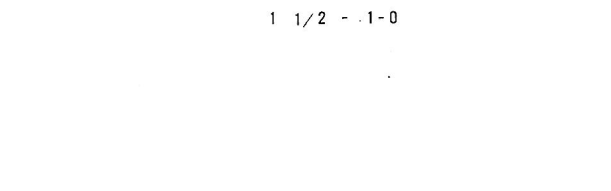
TYP. STAIR PLATFORM SUPPORT
15K5
1 1/2 - 1-0



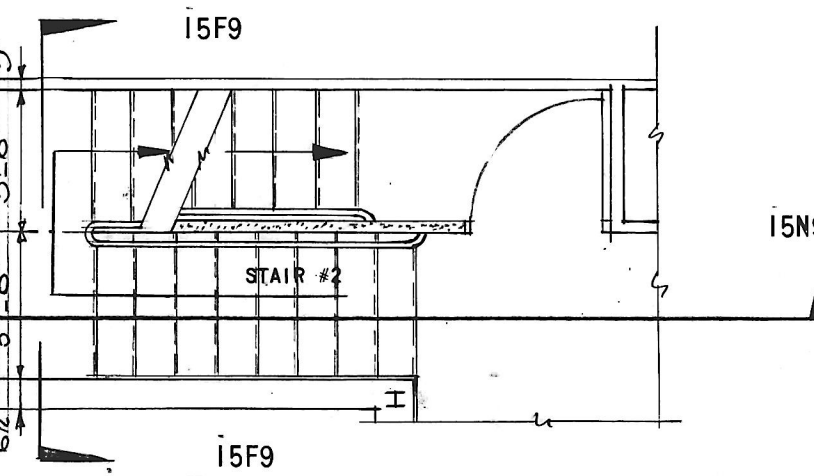
TYP. STAIR AT FLOOR
15J8
1 1/2 - 1-0



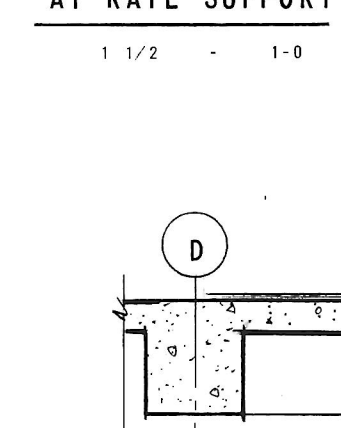
TYP. STAIR LANDING
15K7
1 1/2 - 1-0



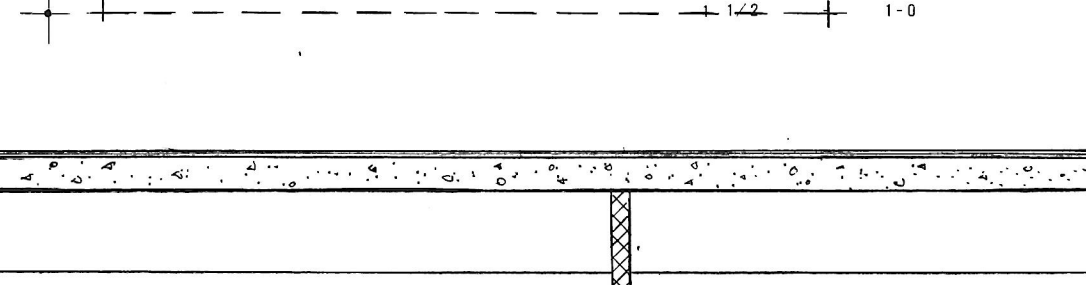
STAIR #2 - FIRST FLOOR PLAN 15J9
1/4 - 1-0



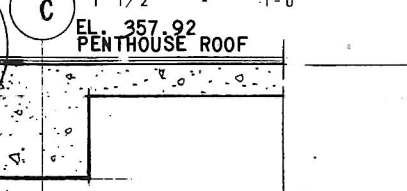
SECTION 15K2
AT RAIL SUPPORT
1 1/2 - 1-0



PLAN - LADDER 15N3
1-0



ROOF HATCH 15O3
1-0



REVISIONS		
NO.	DATE	ITEM
1	10.19.66	1/4 rub.tread in 15K4
		15J8, 15K7, 15B9

FIRM: CNA
DESIGNED BY: PGC
DRAWN BY: JKASH
CHECKED BY: JJK
APPROVED BY: PGC

SEAL: 680-A
1392-A 1157-A

BOARD OF EXAMINERS AND REGISTRATION OF ARCHITECTS
STATE OF MARYLAND

STRUCTURAL ENGINEERING
VAN RENSSLAER P. SAXE
1701 ST. PALL ST. BALTIMORE 2 MD.

MECHANICAL/ELECTRICAL ENGINEERING
HENRY ADAMS INC.
2315 ST. PALL ST. BALTIMORE 18 MD.

CHRISTIE, NILES & ANDREWS
22 West Pennsylvania Ave.
Towson 4, Maryland
"Court yard"
2118 Massachusetts Ave.
N.W., Washington 8, D.C.

(301) 823-7862
(202) 532-4442

ARCHITECTS

OFFICE BUILDING
FOR
NOTTINGHAM FARMS INC.

102 W. PENNSYLVANIA AVE.
TOWSON, MARYLAND 21204

INTERIOR STAIR
SECTIONS
DETAILS

JOB NO.	6522
SCALE	AS NOTED
DATE	27 Sept. 66
LAST REV.	19 Oct. 66

A15