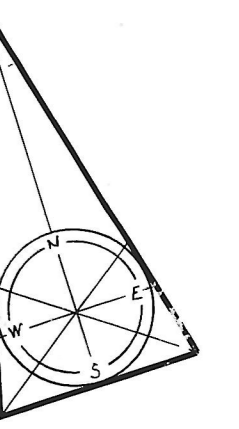


NOTES

- 1. All shaded ductwork on this drawing shall be lined with 1" acoustic duct lining.
- 2. For exact location of perimeter diffusers see Arch. drawings.



REVISIONS		
NO.	DATE	BY
1	9-11-67	H.T. CAMPBELL SONS

FIRM H. ADAMS
 DESIGNED BY GHZ
 DRAWN BY ACP
 CHECKED BY AEW
 APPROVED BY KVB

SEAL H.A. JOB NO. N-16

STRUCTURAL ENGINEERING
 VAN RENSSLAER P. SAXE
 1701 ST. PAUL ST. BALTO, MD. 21202

MECHANICAL-ELECTRICAL ENGINEERING
 HENRY ADAMS, INC.
 2315 ST. PAUL ST. BALTO, MD. 21218

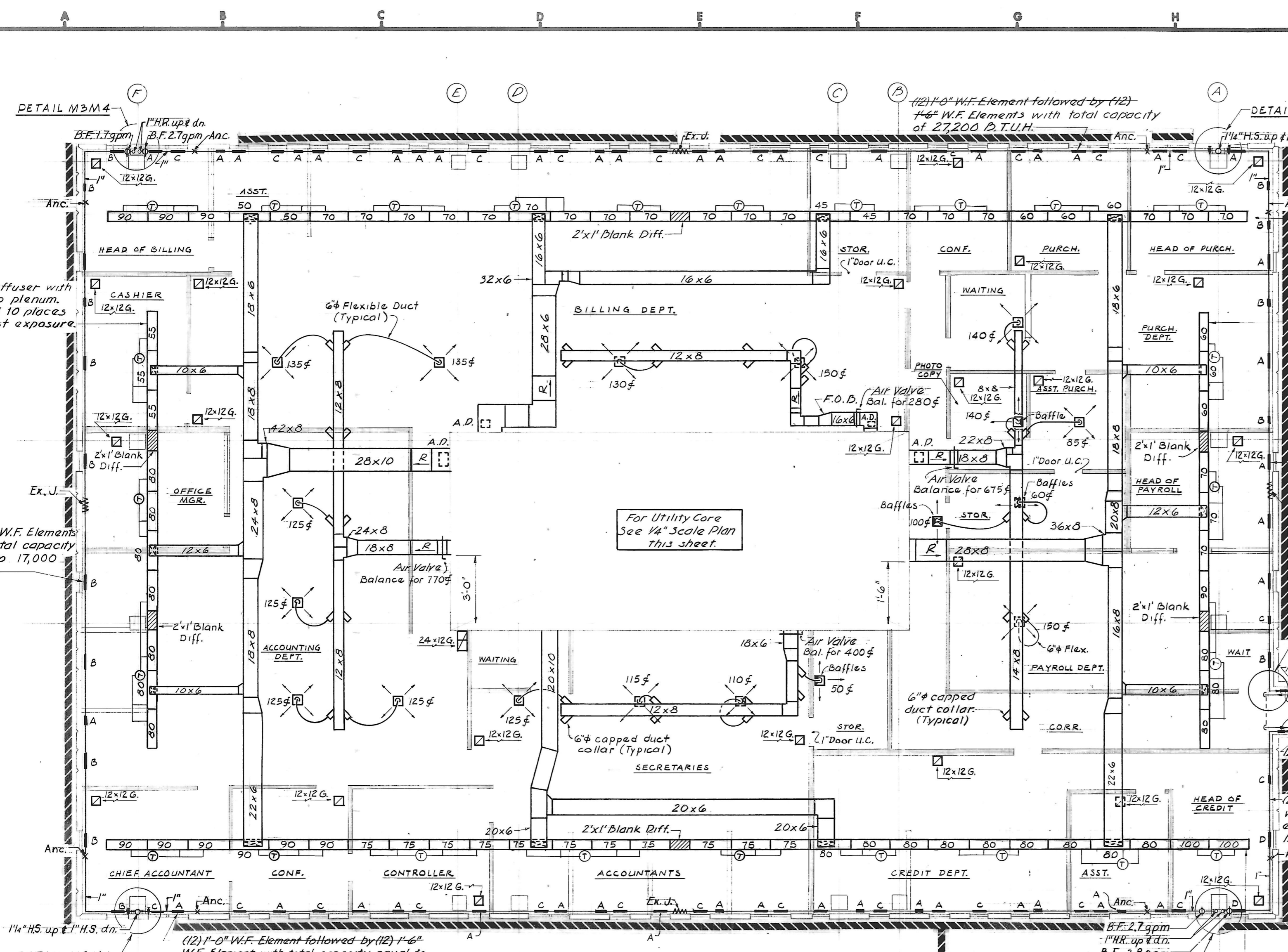
CHRISTIE, NILES & ANDREWS
 ARCHITECTS
 22 N. PENNSYLVANIA AVE. TOWSON, MARYLAND 21286
 1647 31st Street, N.W. Washington, D.C. 20007

OFFICE BUILDING
 FOR
NOTTINGHAM FARMS INC.

102 W. PENNSYLVANIA AVE.
 TOWSON, MARYLAND 21204

SECOND FLOOR PLAN

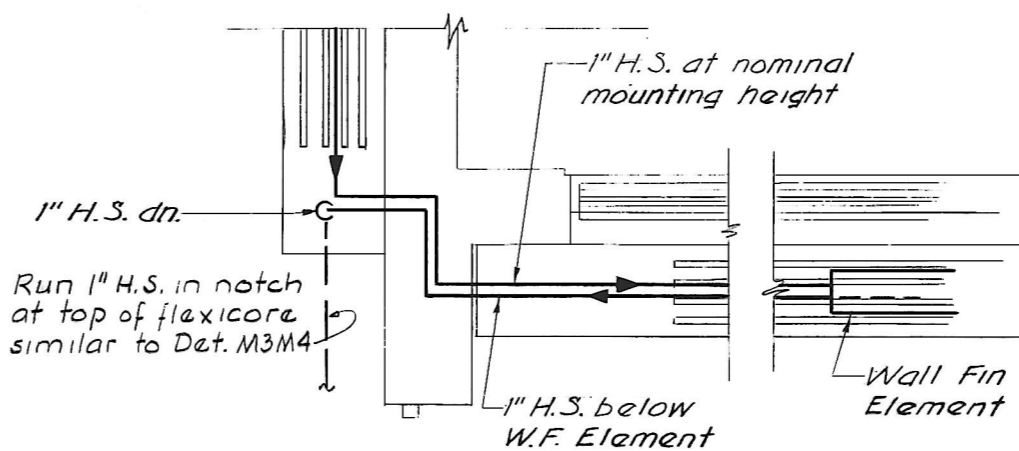
JOB NO.	6522	M-3
SCALE	AS NOTED	
DATE	SEPT. 27, 1966	
LAST REV.	SEPT. 11, 1967	



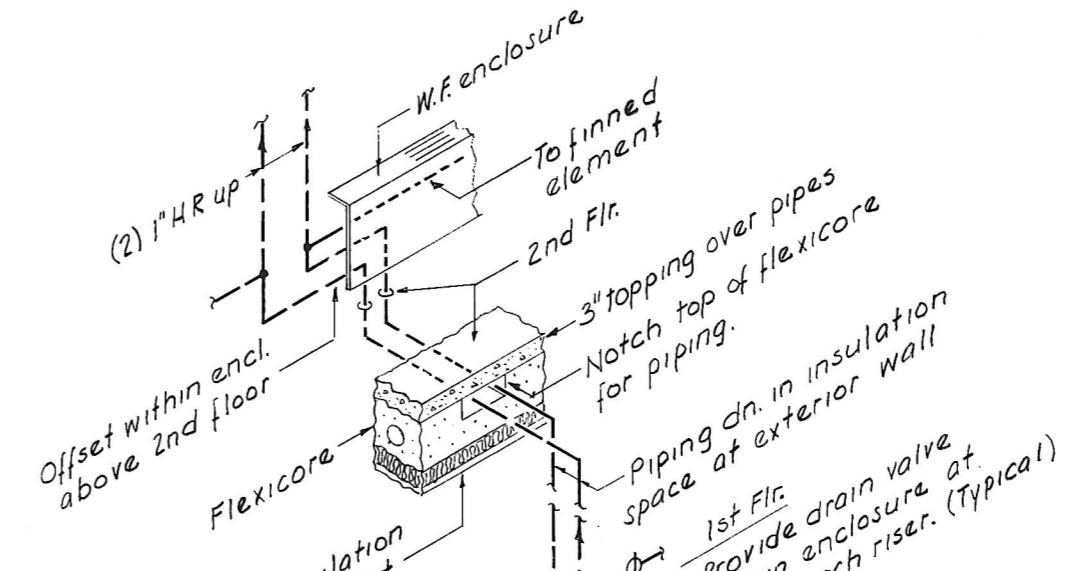
SECOND FLOOR PLAN
 Scale: 1/8" = 1'-0"

Note: All diffusers serving interior spaces are 12x12 size with 5" neck.
 2. All R.A. grilles shall have sound treatment per drawing enclosed with letter to Custom Mech. Contractors dated July 11, 1967.

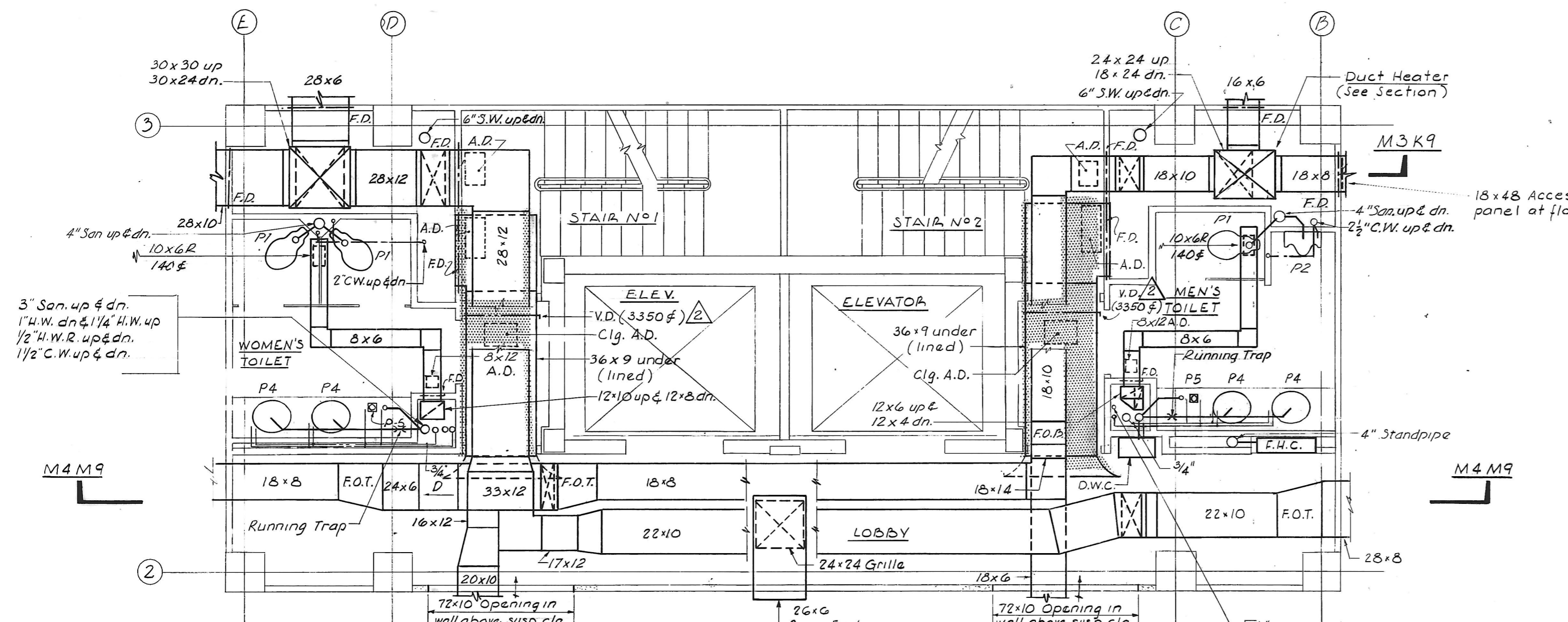
HARRY T. CAMPBELL SONS
 RENTAL AREA



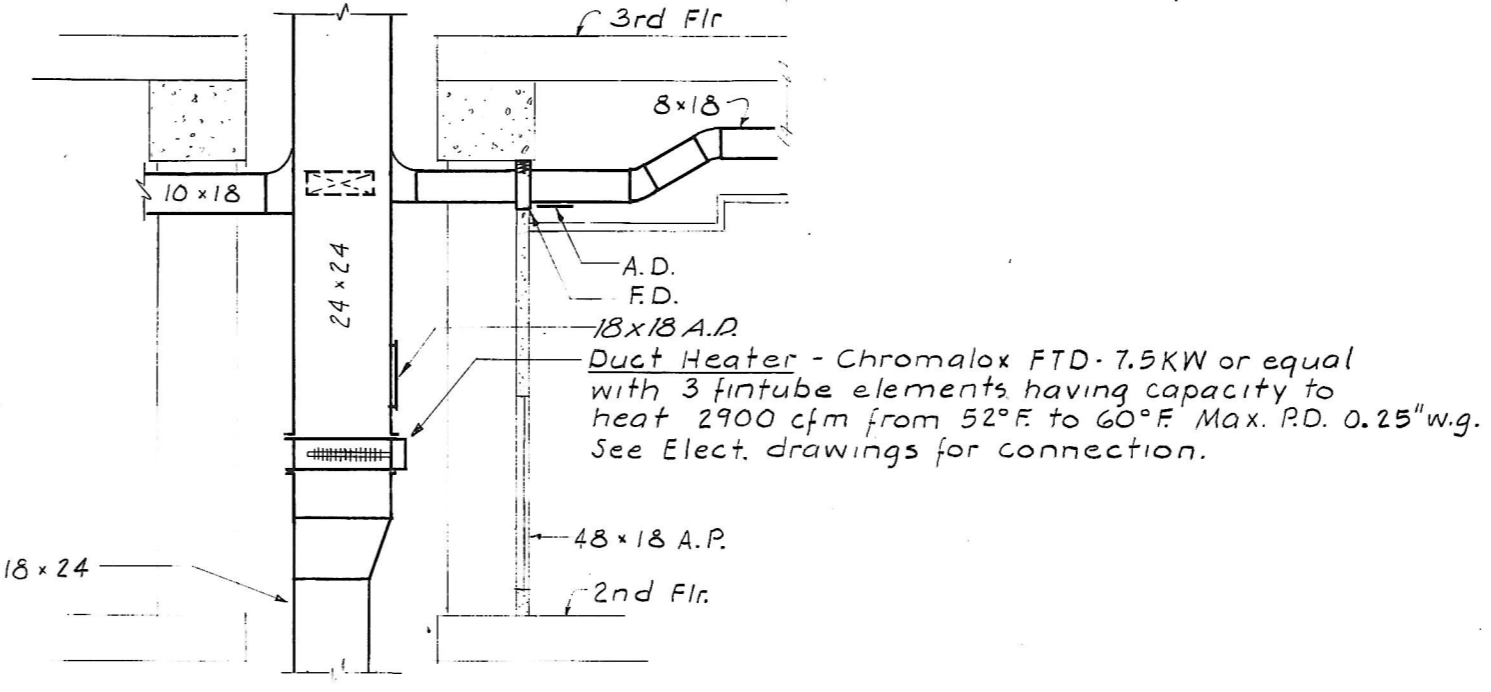
DETAIL OF PIPING & WALL FIN IN CONNECTING LINK-M3M2
 Scale: 1/2" = 1'-0"



DETAIL M3M4
 Not to Scale



SECOND FLOOR UTILITY CORE PLAN
 Scale: 1/4" = 1'-0"



SECTION M3K9
 Scale: 1/4" = 1'-0"

MICROFILMED