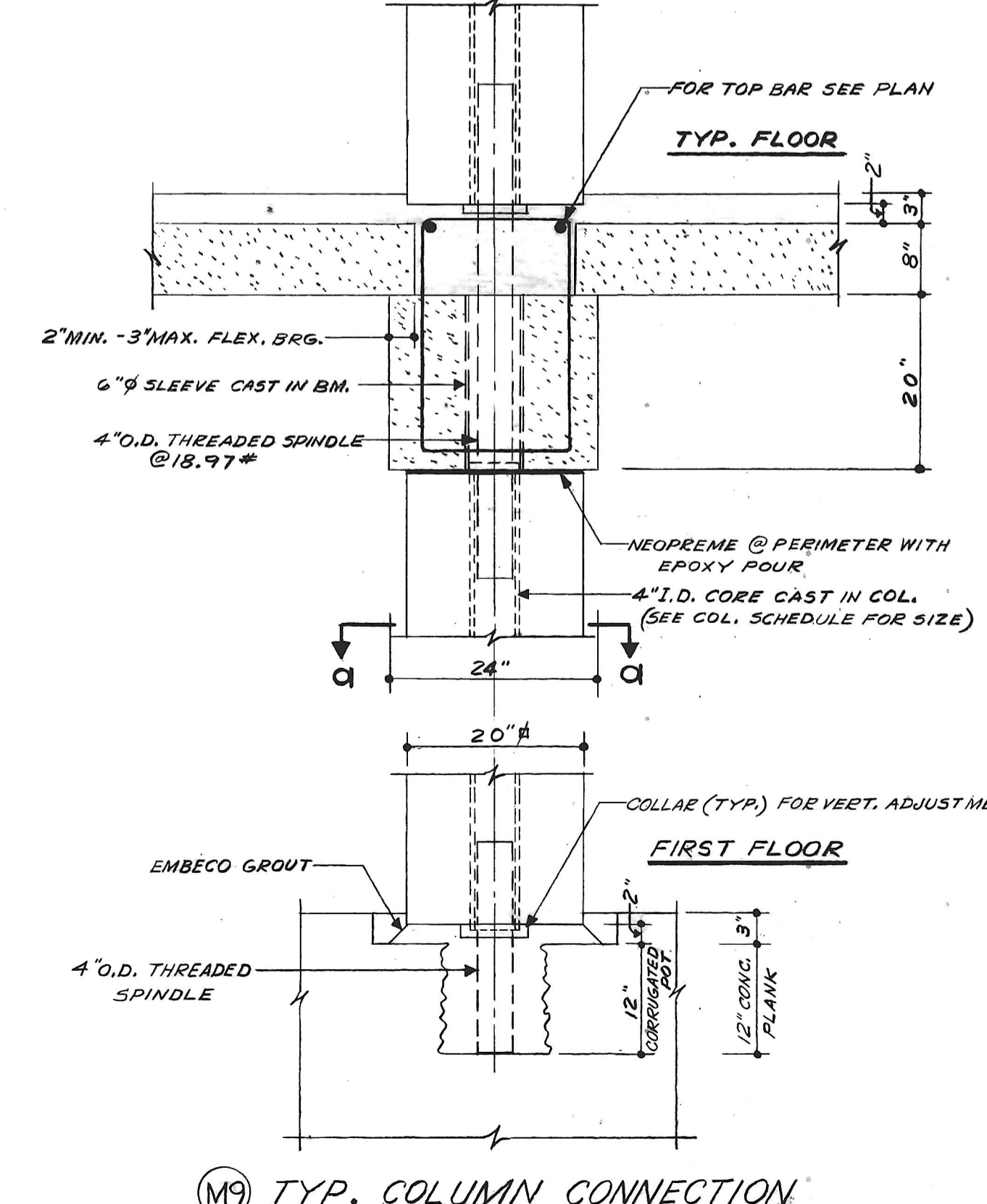
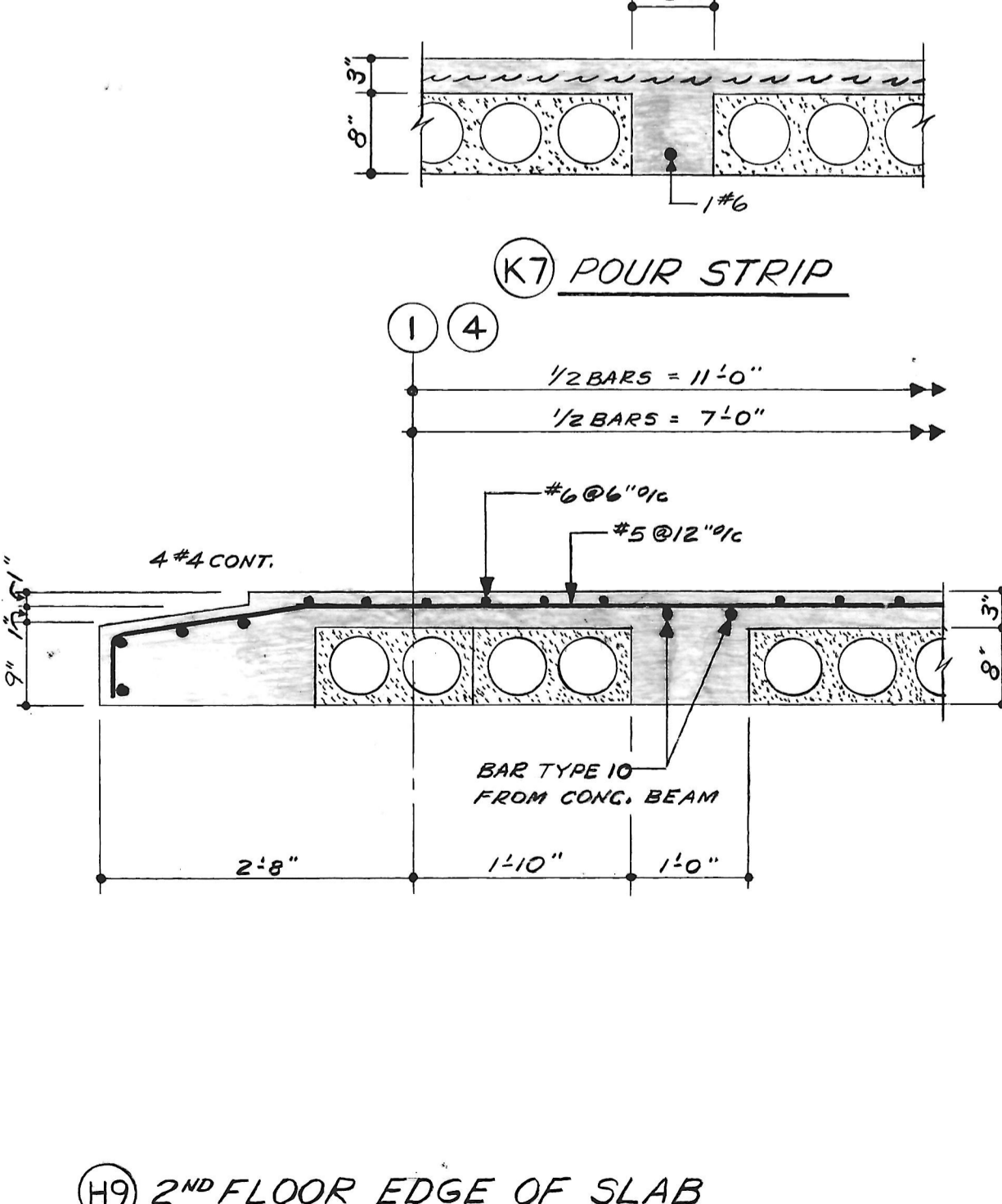
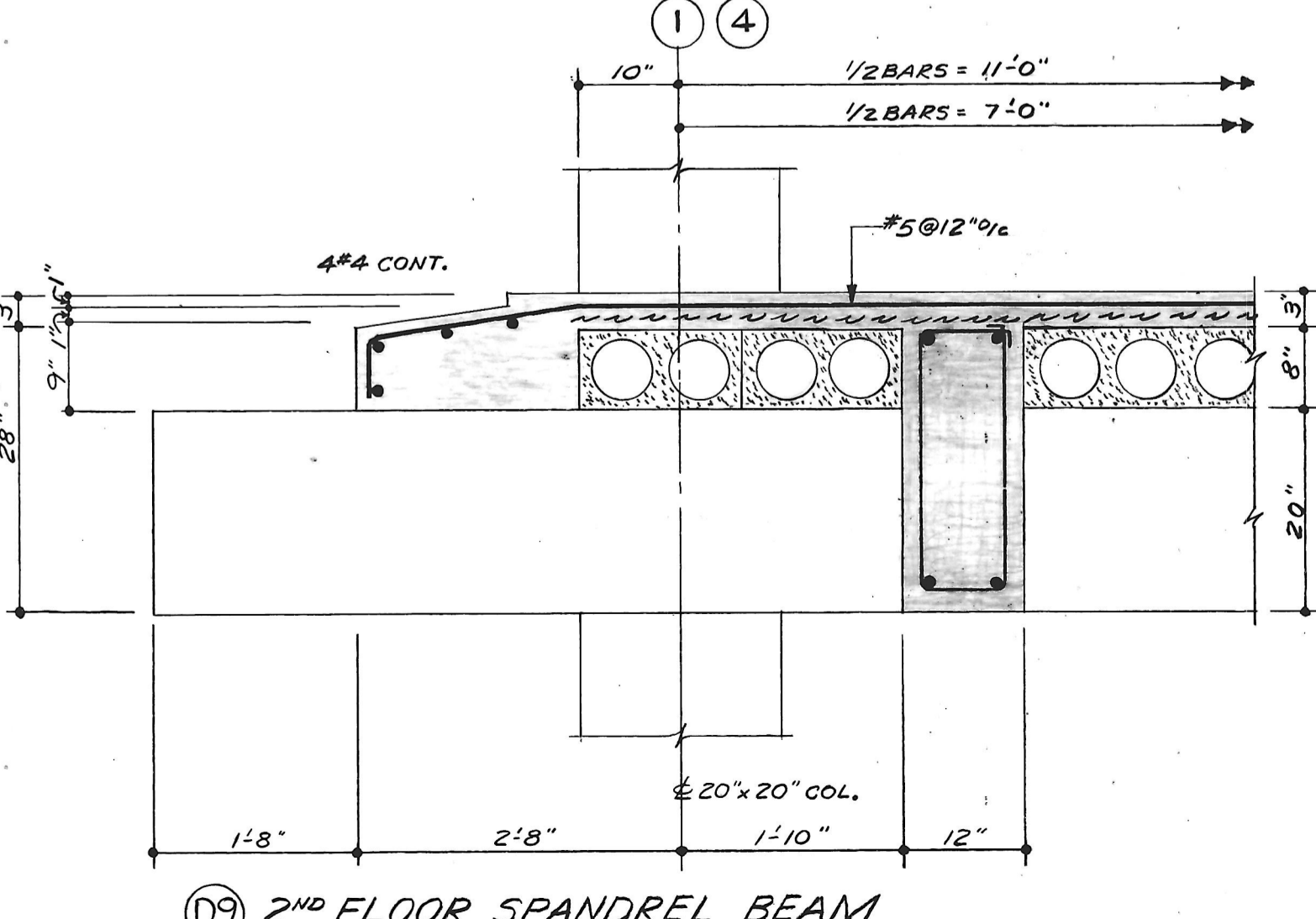
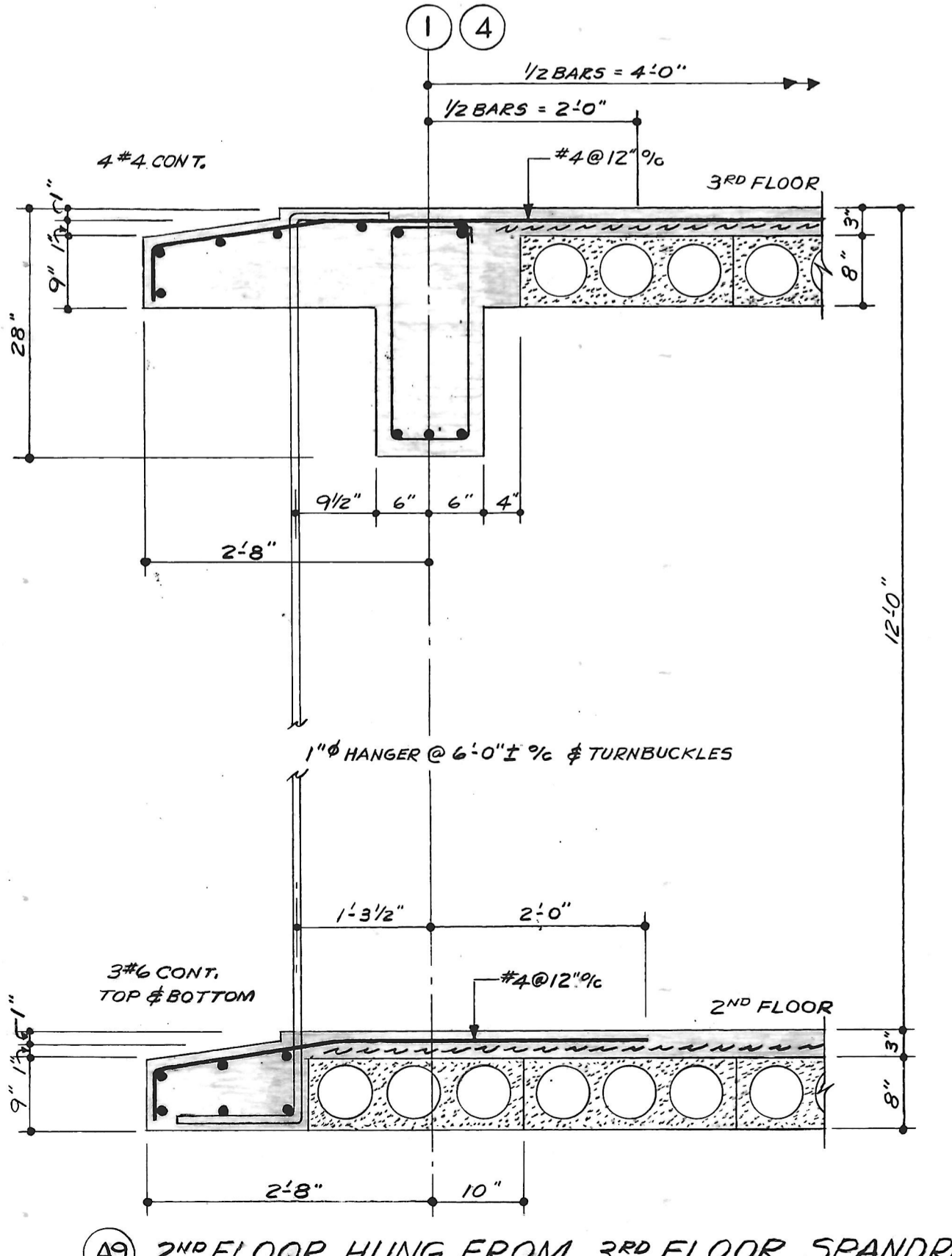


**2<sup>ND</sup> FLOOR FRAMING PLAN** 1/8" = 1'-0"  
 1. ELEVATION TOP OF STRUCTURAL SLAB = 482.50



REVISIONS			
NO.	DATE	ITEM	REF.

FIRM: SAXE  
 DESIGNED BY: G.A.E., JR.  
 DRAWN BY: F.T.S.  
 CHECKED BY: G.A.E., JR.  
 APPROVED BY:  
 SEAL: VAN RENNELLAER P. SAXE PE REGISTERED ENGINEER STATE OF MARYLAND #65137

STRUCTURAL ENGINEERING  
 VAN RENNELLAER P. SAXE  
 1701 ST. PAUL ST. BALTO, MD. 21202  
 MECHANICAL-ELECTRICAL ENGINEERING  
 HENRY ADAMS, INC.  
 2315 ST. PAUL ST. BALTO, MD. 21218  
 CHRISTIE, NILES & ANDREWS  
 22 N. PENNSYLVANIA AVE. TOWSON, MARYLAND 21204  
 1047 31st Street, N.W. Washington, D.C. 20007  
 (301) 823-7862  
 (301) 823-7862 (410) 447-1117  
 ARCHITECTS

**OFFICE BUILDING**  
 FOR  
**NOTTINGHAM FARMS INC.**  
 102 W. PENNSYLVANIA AVE.  
 TOWSON, MARYLAND 21204

2<sup>ND</sup> FLOOR FRAMING PLAN  
 JOB NO. 6522  
 SCALE AS SHOWN  
 DATE 27 Sept 66  
 LAST REV. S-3