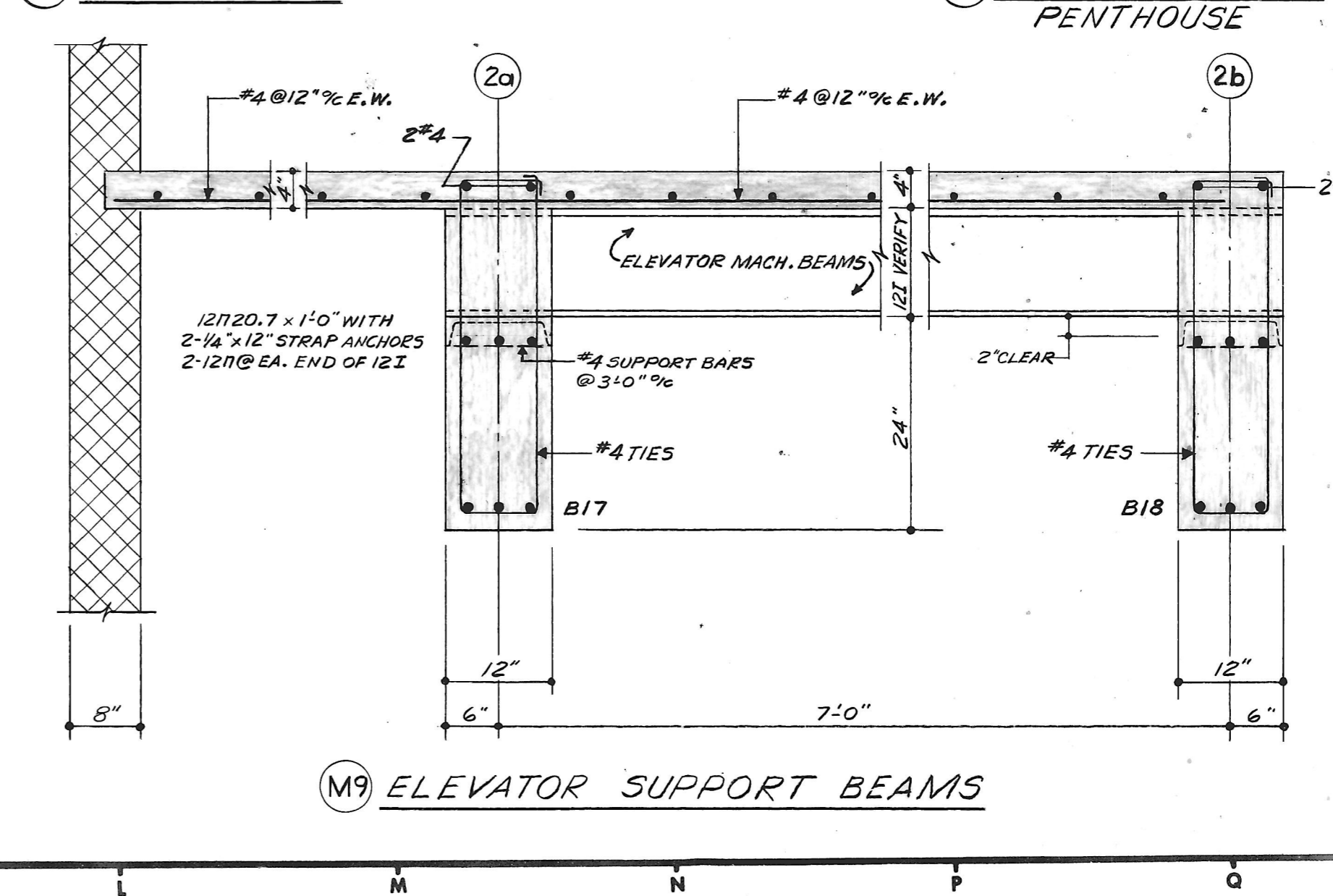
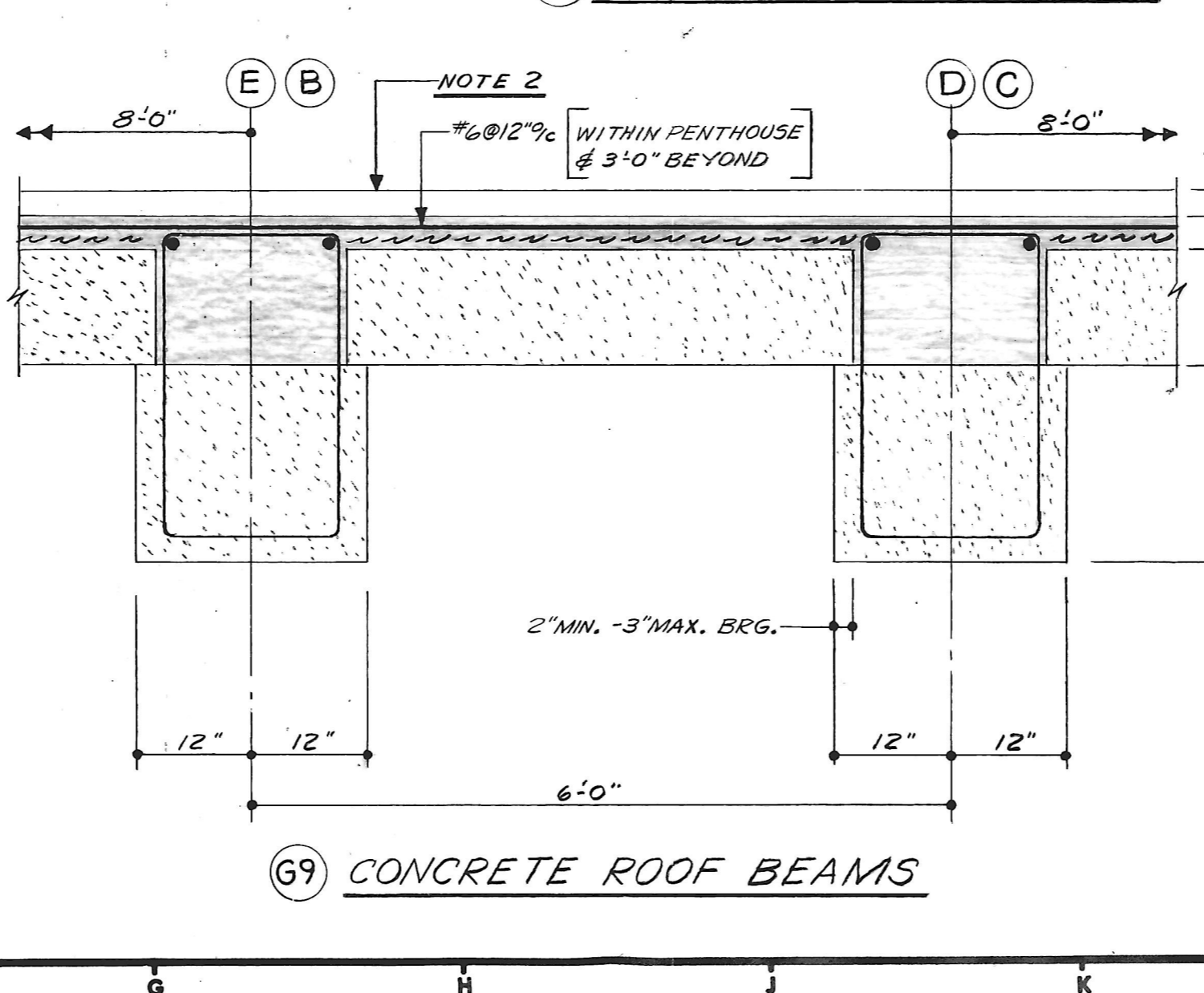
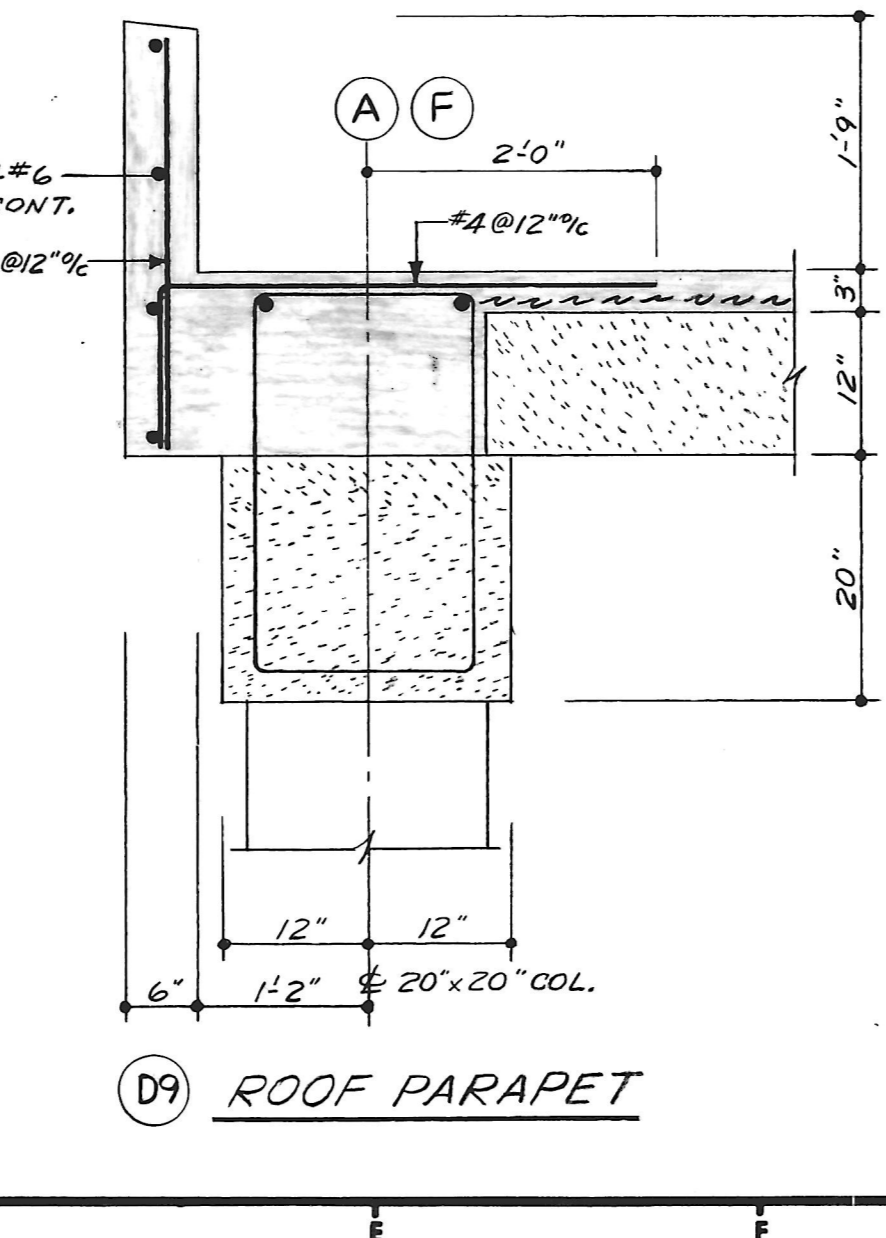
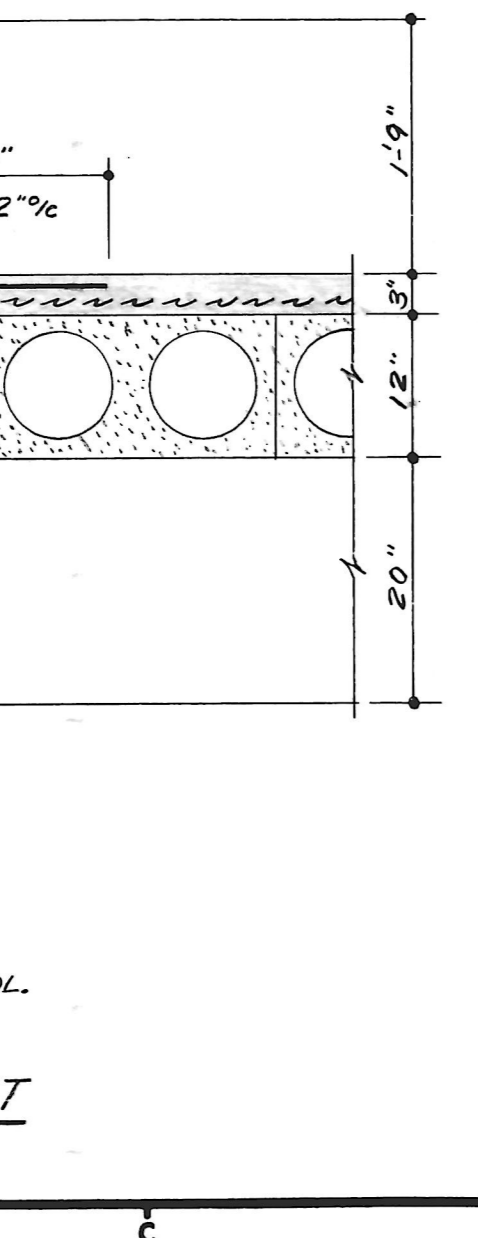
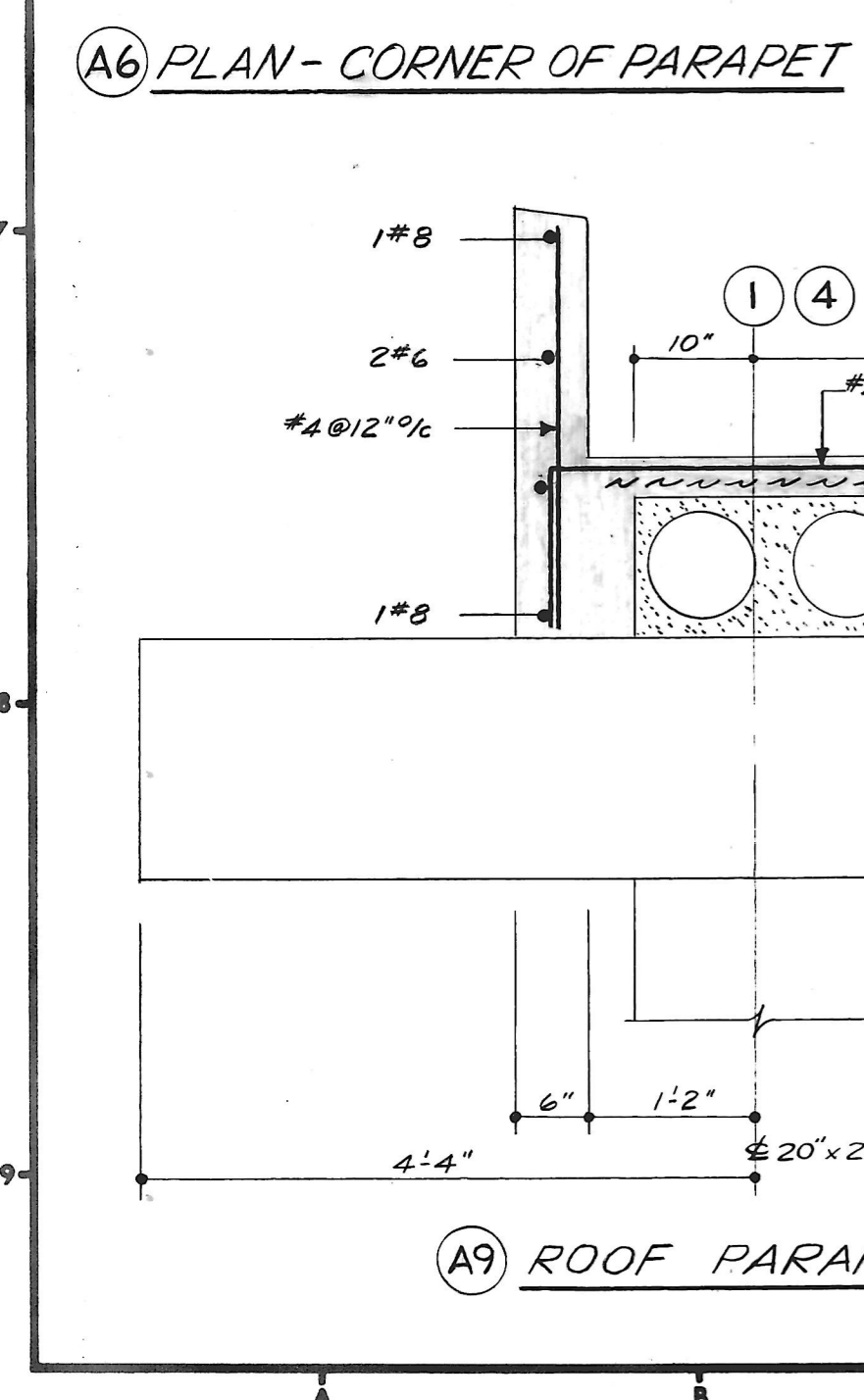
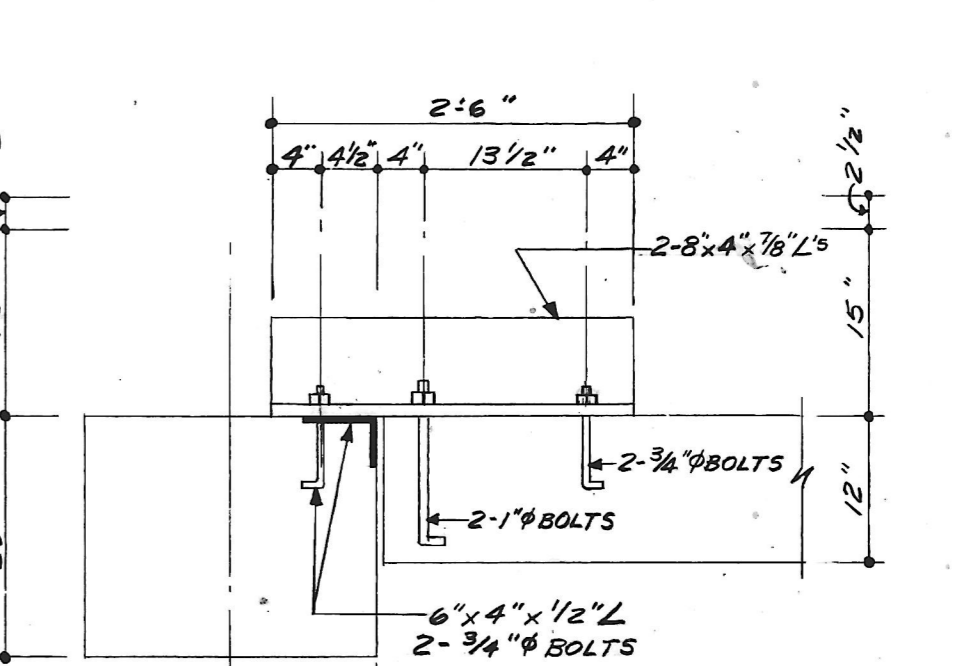
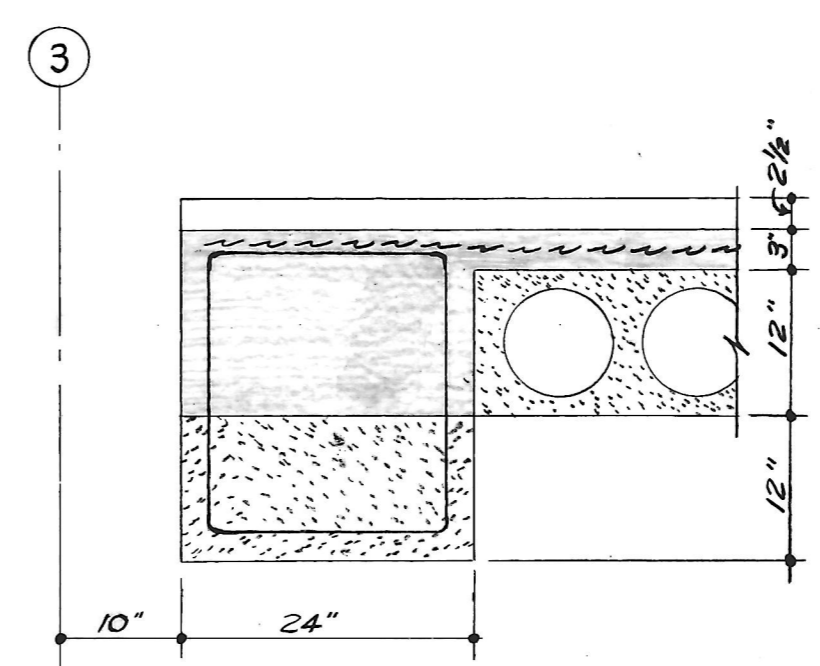
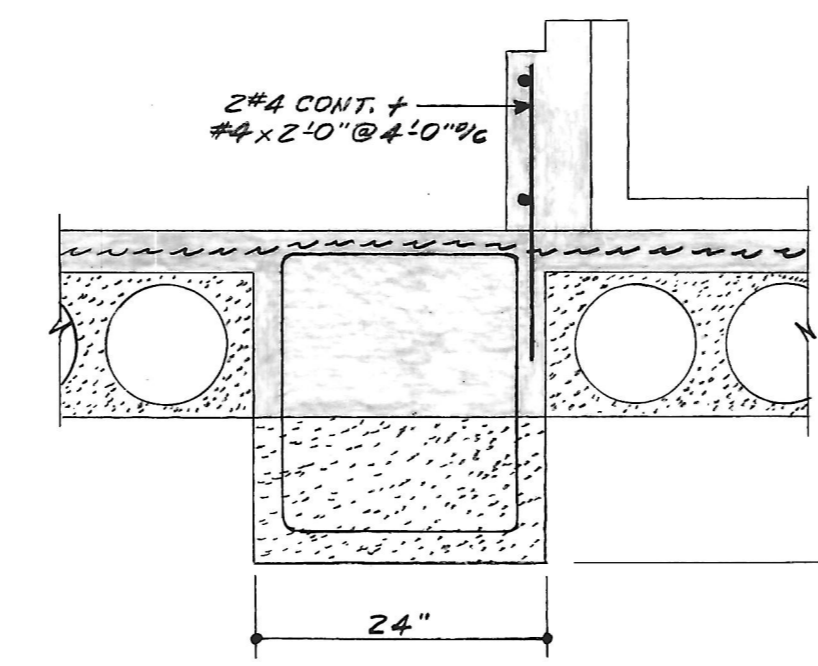


ROOF & PENTHOUSE FLOOR FRAMING PLAN 1/8" = 1'-0"

- ELEVATION TOP OF STRUCTURAL SLAB = 542.83
- WITHIN PENTHOUSE FLOOR PROVIDE 2 1/2" CONC. FILL, REINF. WITH 6"x6"-#10#10W.W.F. OVER WATERPROOFING (SEE ARCH. DRAWINGS).



REVISIONS		
NO.	DATE	ITEM
1	18 JAN 67	SLAB OVER STAIR

FIRM: SAXE
 DESIGNED BY: G.A.E., JR.
 DRAWN BY: F.T.S.
 CHECKED BY: G.A.E., JR.
 APPROVED BY: [Signature]

STATE OF MARYLAND ARCHITECTS #65137

STRUCTURAL ENGINEERING
 VAN RENSSELAER P. SAXE
 1701 ST. PAUL ST. BALTO, MD. 21202

MECHANICAL-ELECTRICAL ENGINEERING
 HENRY ADAMS, INC.
 2315 ST. PAUL ST. BALTO, MD. 21218

CHRISTIE, NILES & ANDREWS ARCHITECTS
 22 W. PENNSYLVANIA AVE. TOWSON, MARYLAND 21204
 1047 31st Street, N.W. WASHINGTON, D.C. 20007
 (301) 824-7802

OFFICE BUILDING
 FOR
 NOTTINGHAM FARMS INC.
 102 W. PENNSYLVANIA AVE.
 TOWSON, MARYLAND 21204

ROOF & PENTHOUSE FLOOR & PENTHOUSE ROOF FRAMING PLANS

JOB NO. 6522
 SCALE AS SHOWN
 DATE 27 Sept 66
 LAST REV. 18 JAN 67

S6