



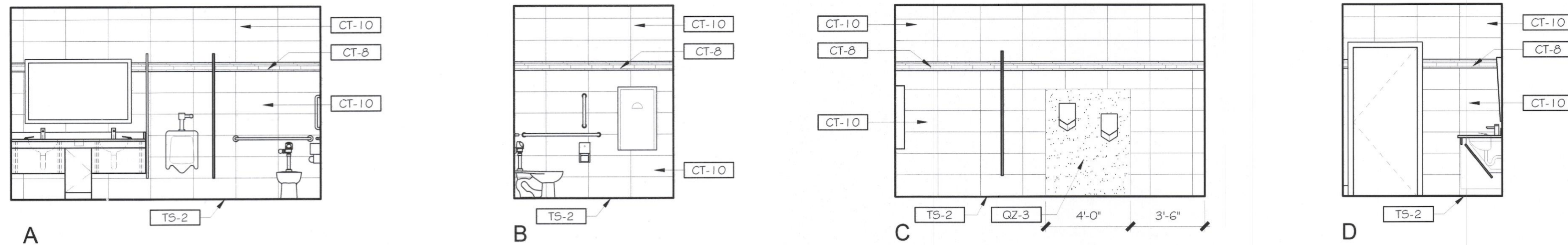
L2M  
811 Cromwell Park Drive, Suite 113  
Cromwell Business Park at BWI  
Clen Burne, Maryland 21001  
L2M@l2m.com  
Phone 410.863.1302  
Fax 410.863.1308

L2M  
ARCHITECTS

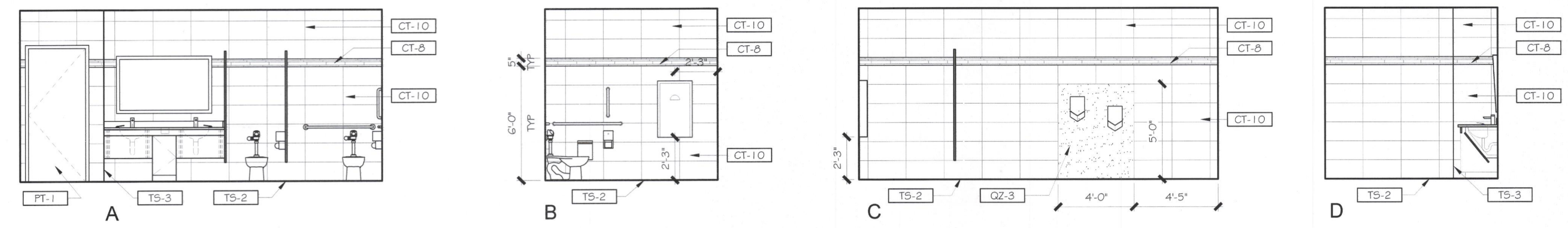
I certify that these documents were prepared or approved by me, and that I am a duly licensed architect under the laws of the State of Maryland Lic. #8338 Exp. 07 December 2017.



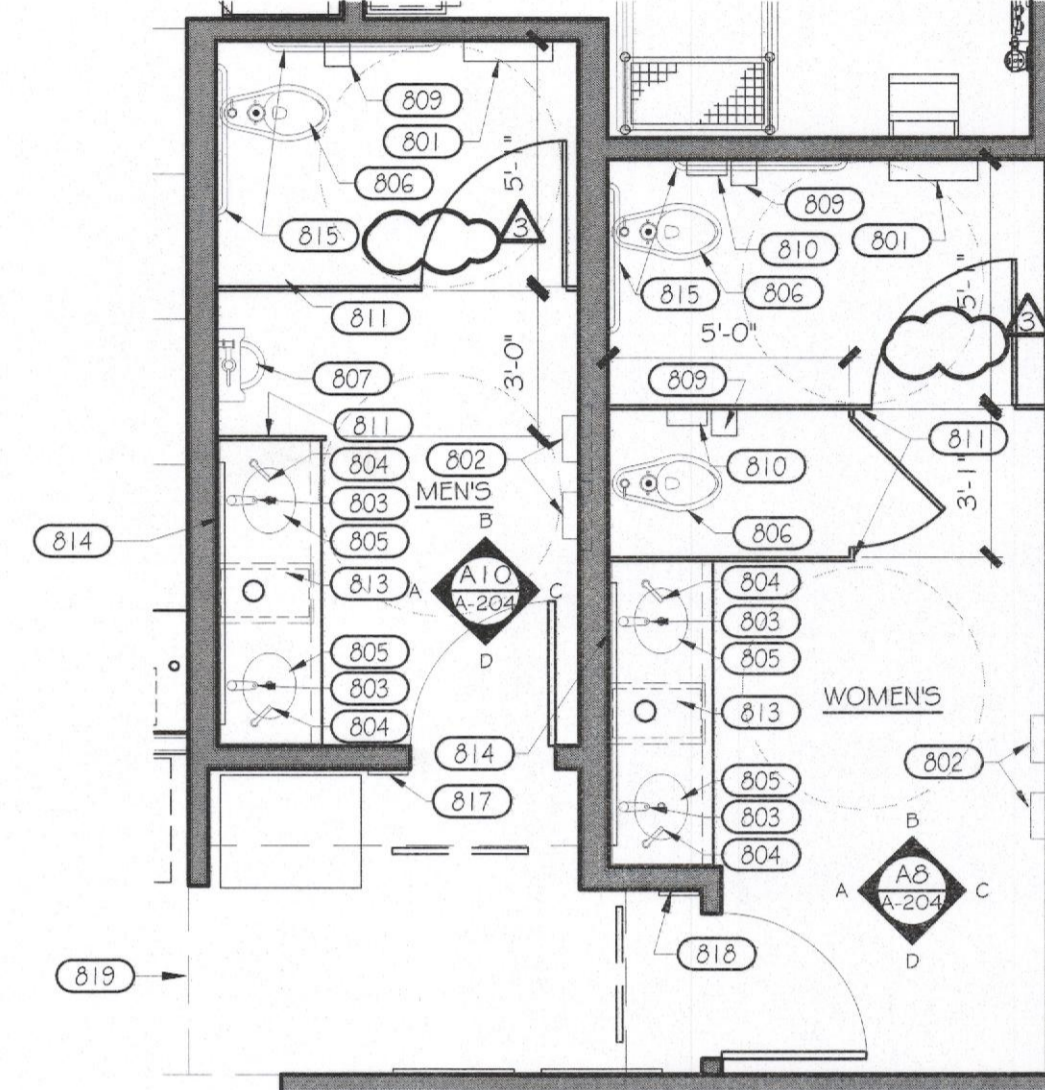
**DASH IN**  
STORE #079  
QUARTERFIELD RD - SEVERN, MD



**A10 MEN'S RESTROOM ELEVATIONS**  
SCALE: 1/4" = 1'-0"



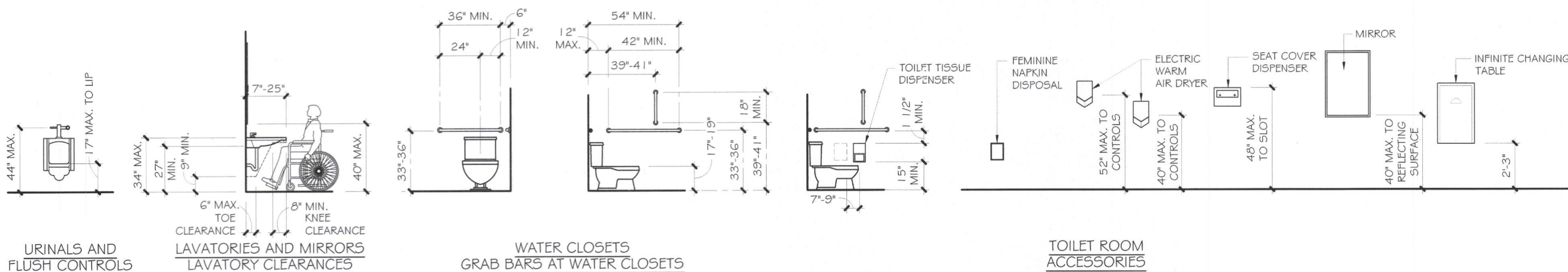
**A8 WOMEN'S RESTROOM ELEVATIONS**  
SCALE: 1/4" = 1'-0"



**M7 RESTROOM PLAN**  
SCALE: 1/4" = 1'-0"

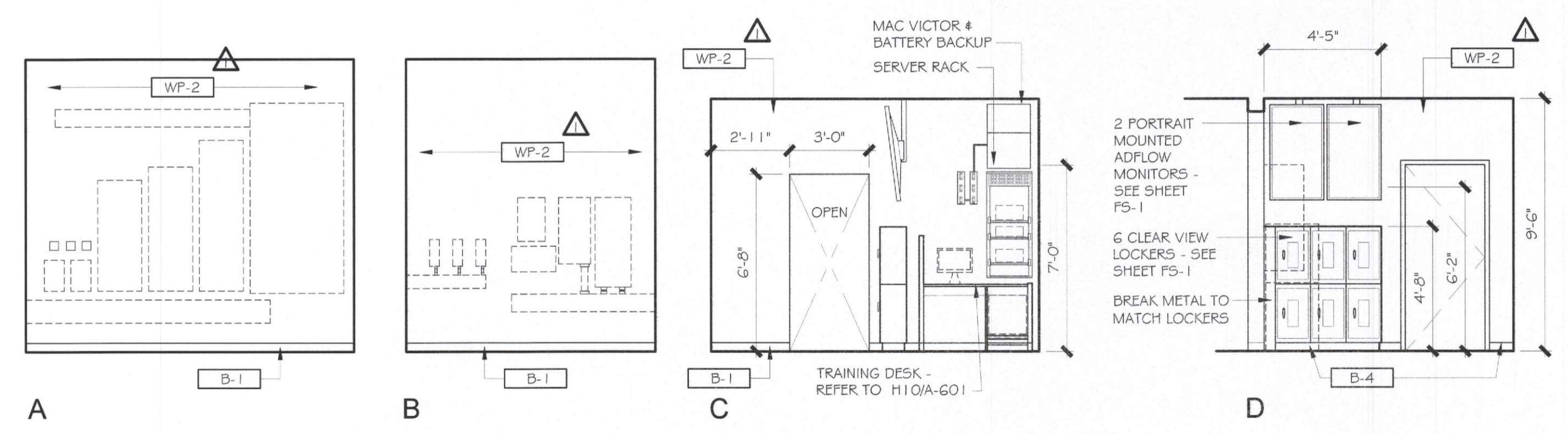
ITEM	QTY	DESCRIPTION	MANUFACTURE	MODEL #	PROVIDER	INSTALLER	EXISTING	REMARKS
801	2	BABY CHANGING STATION	KDALA KARE	KB101-00	E	G		
802	4	MOTION ACTIVATED HAND DRYER	DYSON	AIRBLADE V AB1 2	E	G		
803	4	MOTION ACTIVATE FAUCET	SLOAN	EFT80	G	G		HANDS FREE
804	4	MOTION ACTIVATED SOAP DISPENSER	GOJO CX TOUCH FREE	8520-01	G	G		#85G1-02 CX 1500 mL, PROVIDE REFILL
805	4	RESTROOM SINK	AMERICAN STANDARD	0495.221	M	G		HANDS FREE, PLUMBER MAKES FINAL CONNECTIONS
806	3	WATER CLOSET	AMERICAN STANDARD	3351.71.1	G	G		AFWALL FLOWISE 1.1 GPF 6065.761 BATTERY FLUSH VALVE
807	1	URINAL	AMERICAN STANDARD	6590.525	G	G		WASHBROOK FLOWISE 0.125 GPF 6063.013 BATTERY URINAL FLUSH VALVE
808	-	NOT USED	--	--				--
809	3	HIGH CAPACITY BATH TISSUE ROLL DISPENSER	TORK ELEVATION	555628	G	G		--
810	2	SANITARY NAPKIN DISPOSAL	BOBRICK	B-270	G	G		--
811	4	RESTROOM PARTITIONS	SCRANTON PRODUCTS	ECLIPSE PARTITIONS	G	G		SHALE/ORANGE PEEL
812	-	NOT USED	--	--				--
813	2	TRASH CONTAINER	RUBBERMAID SUM JIM	3541	E	G		BEIGE 15.875 GALLON - 23.1"L x 11"W x 24.9"H
814	2	MIRRORS	SPEC	--	G	G		--
815	4	GRAB BARS	BOBRICK	B-5806	G	G		B5806 x18 (VERTICAL), B5806 x36, B5806 x42
816	2	RESTROOM COUNTERTOPS	MILLWORK VENDOR	--	M	M		INTEGRATED IN CUSTOM MILLWORK
817	1	ADA RESTROOM SIGNS (MEN)	ERIE CUSTOM SIGNS	--	G	G		STANDOFF SIGNS - HOUGHTON SERIES
818	1	ADA RESTROOM SIGNS (WOMEN)	ERIE CUSTOM SIGNS	--	G	G		STANDOFF SIGNS - HOUGHTON SERIES
819	1	RESTROOMS' BULKHEAD GRAPHICS	CUSTOM VINYL	--	O	G		--

**A3 EQUIPMENT SCHEDULE**  
SCALE: NONE

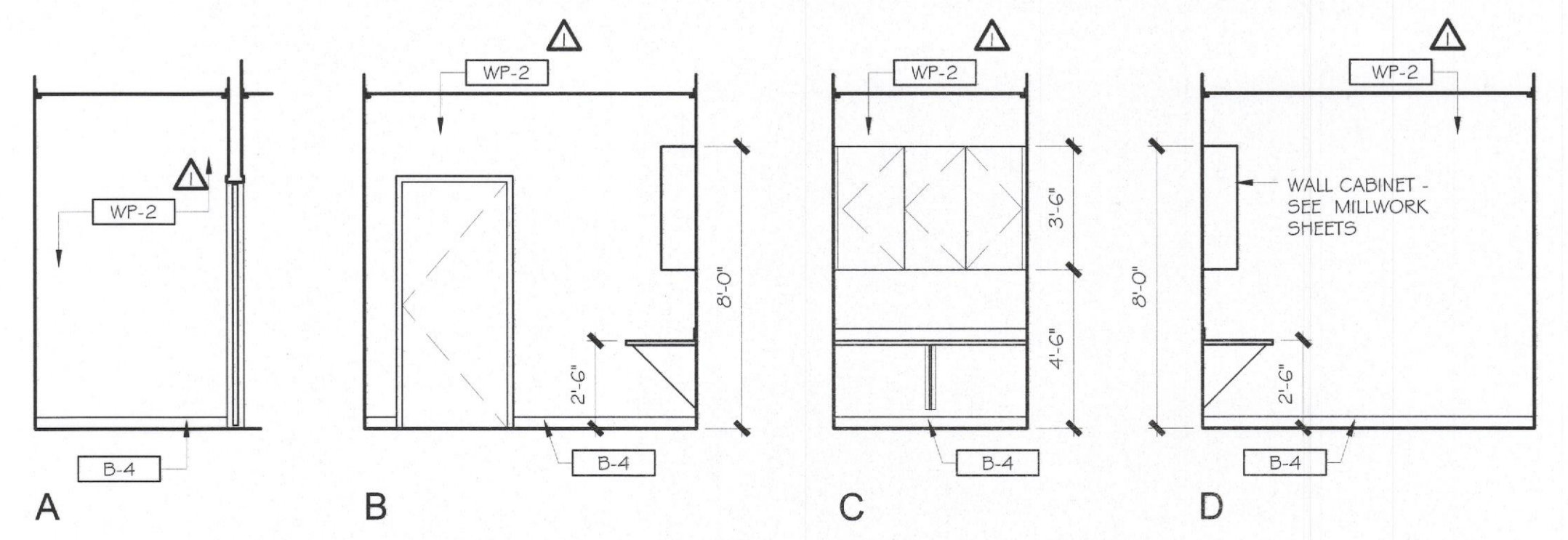


**A1 ADA MOUNTING HEIGHTS**  
SCALE: NONE

**J4 INTERIOR ELEVATIONS - ELECTRICAL RM**  
SCALE: 1/4" = 1'-0"



**L1 OFFICE ELEVATIONS**  
SCALE: 1/4" = 1'-0"



REV #	ISSUE / DESCRIPTION	DATE
1	OWNER COMMENTS	5/10/2017
2	OWNER COMMENTS	07/12/2017

SHEET TITLE:  
**INTERIOR ELEVATIONS**

DRAWING DATE:  
**01 APRIL 2017**  
DRAWN BY:  
STAFF  
REVIEWED BY:  
SDL

PROJECT #  
**15.108**  
SHEET #

**A-204**

FILE NAME:  
15.108 -A-204.dwg