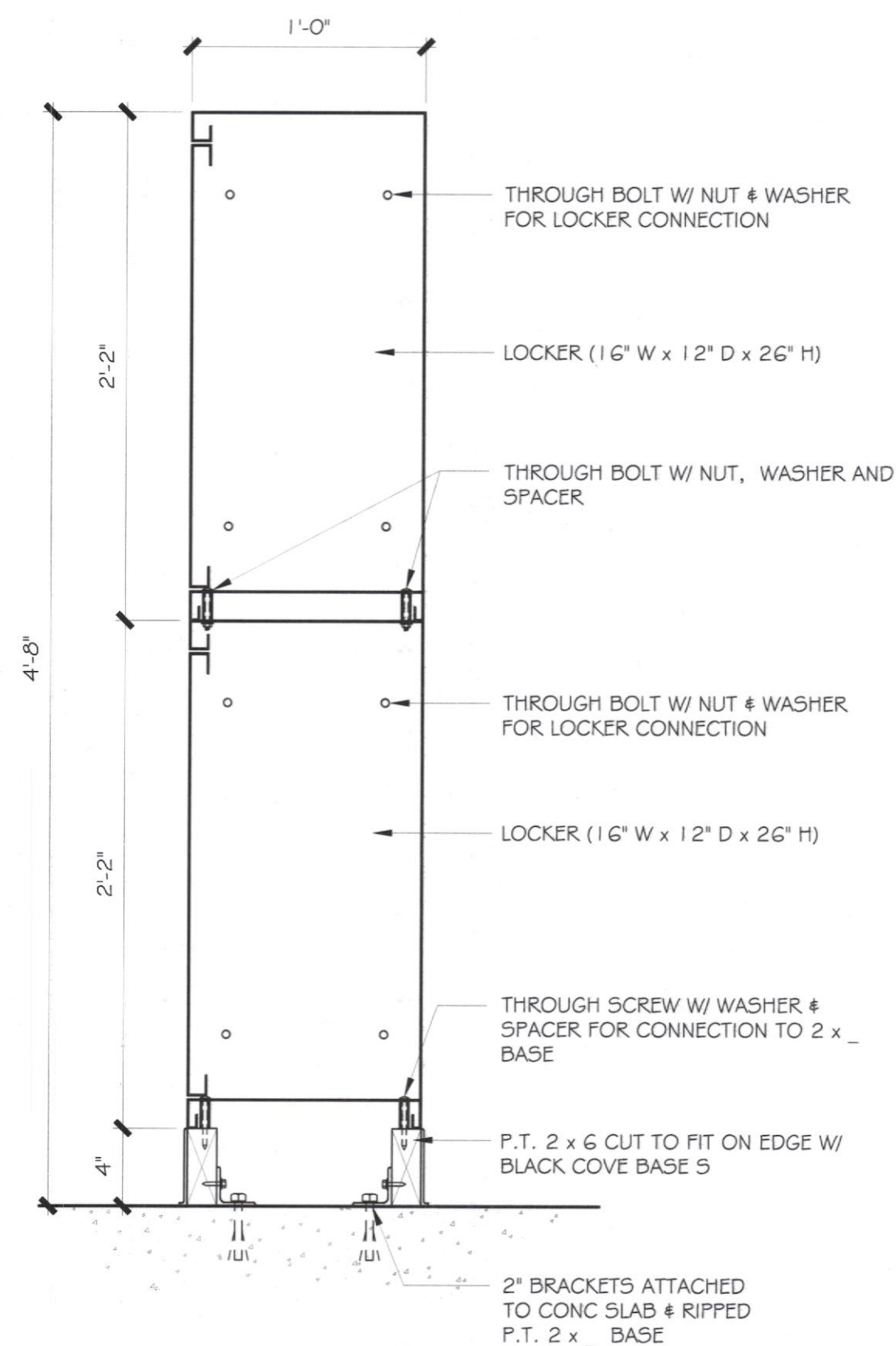
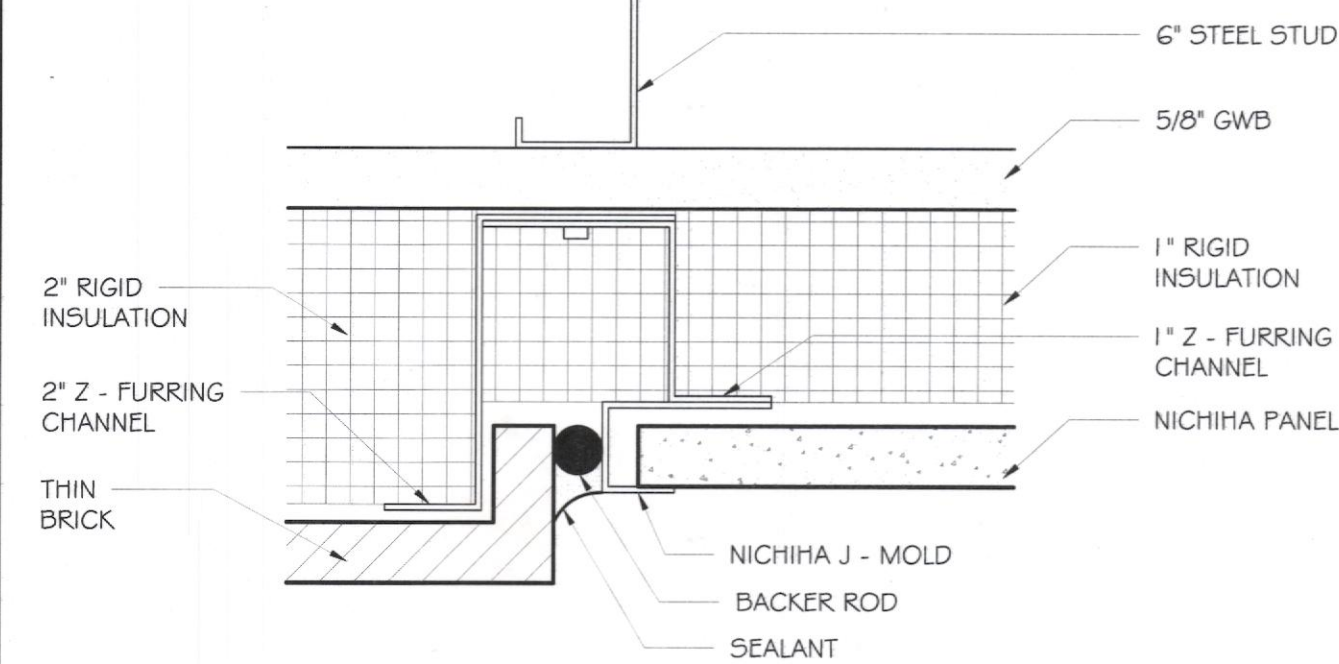


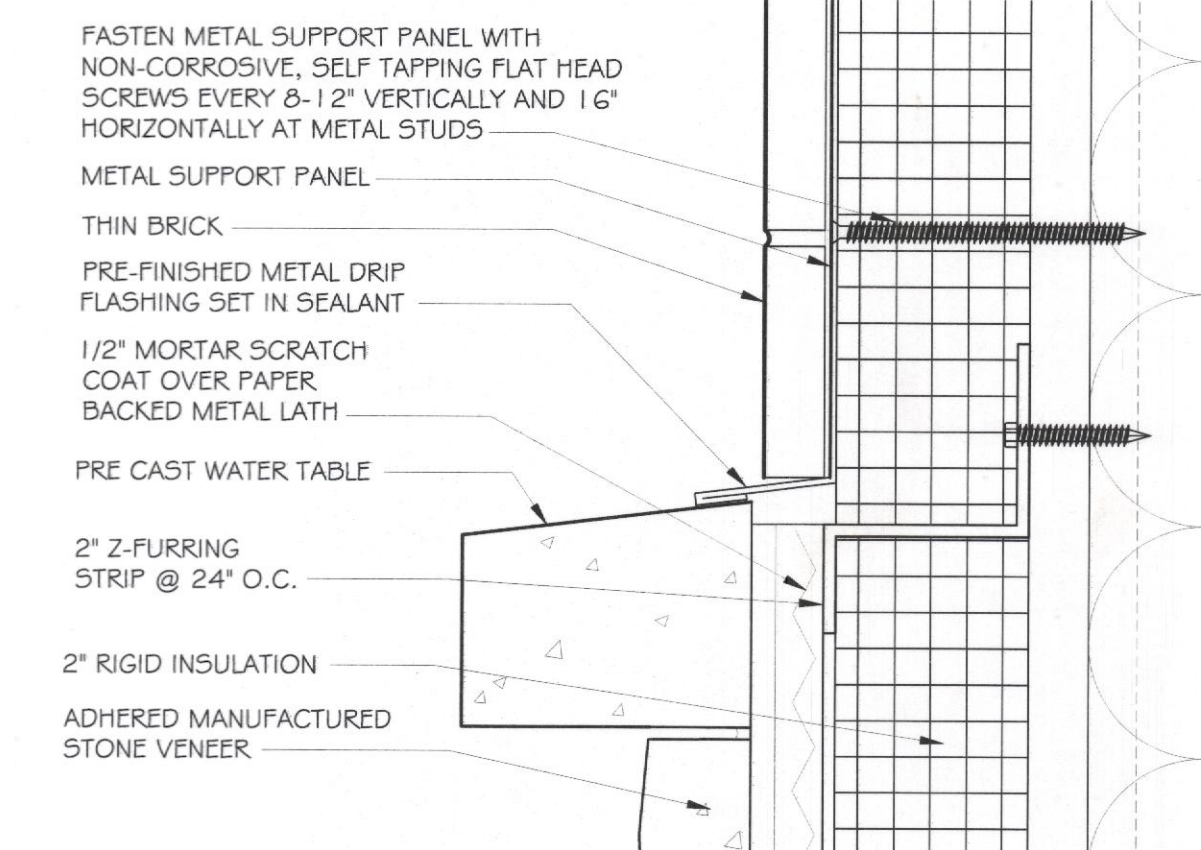
A9 OVERFLOW ROOF DRAIN DETAIL
SCALE: 1-1/2" = 1'-0"



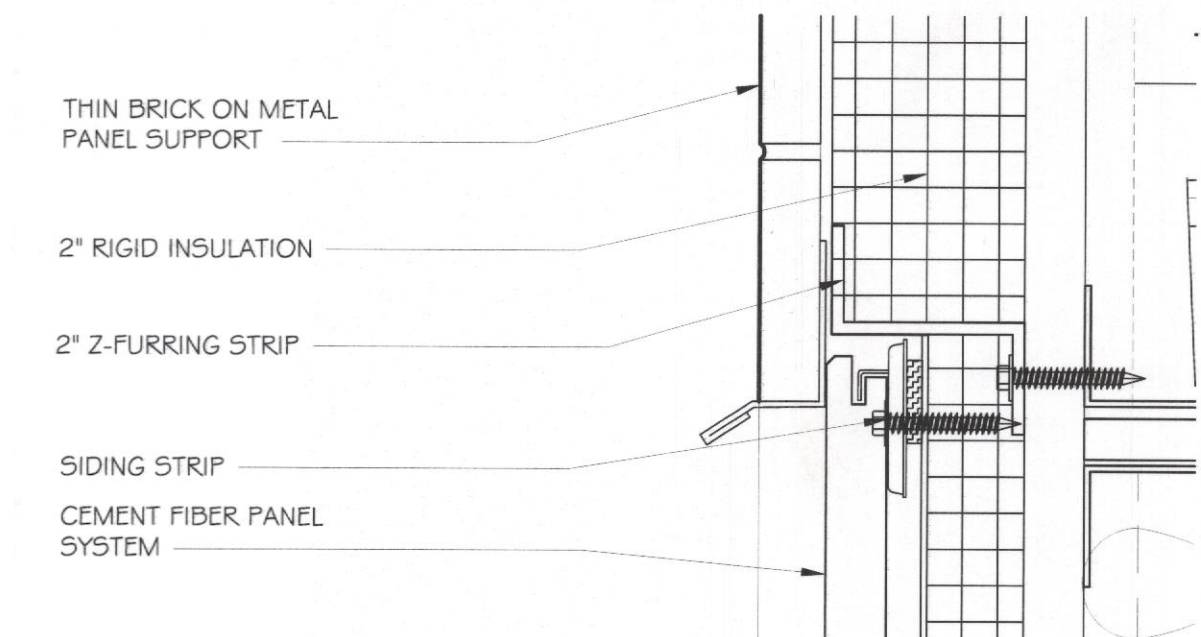
A4 LOCKER DETAIL
SCALE: 1 1/2" = 1'-0"



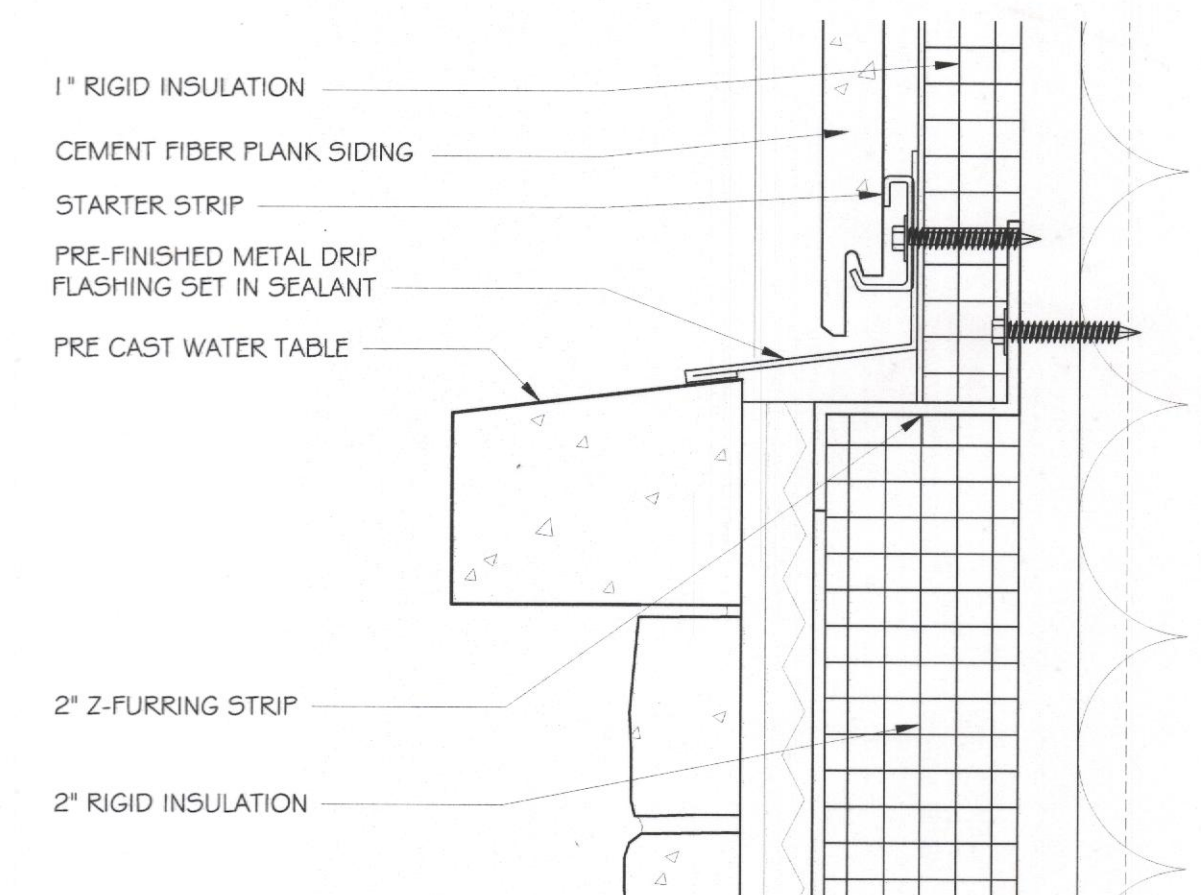
A1 ENLARGED DETAIL
SCALE: 6" = 1'-0"



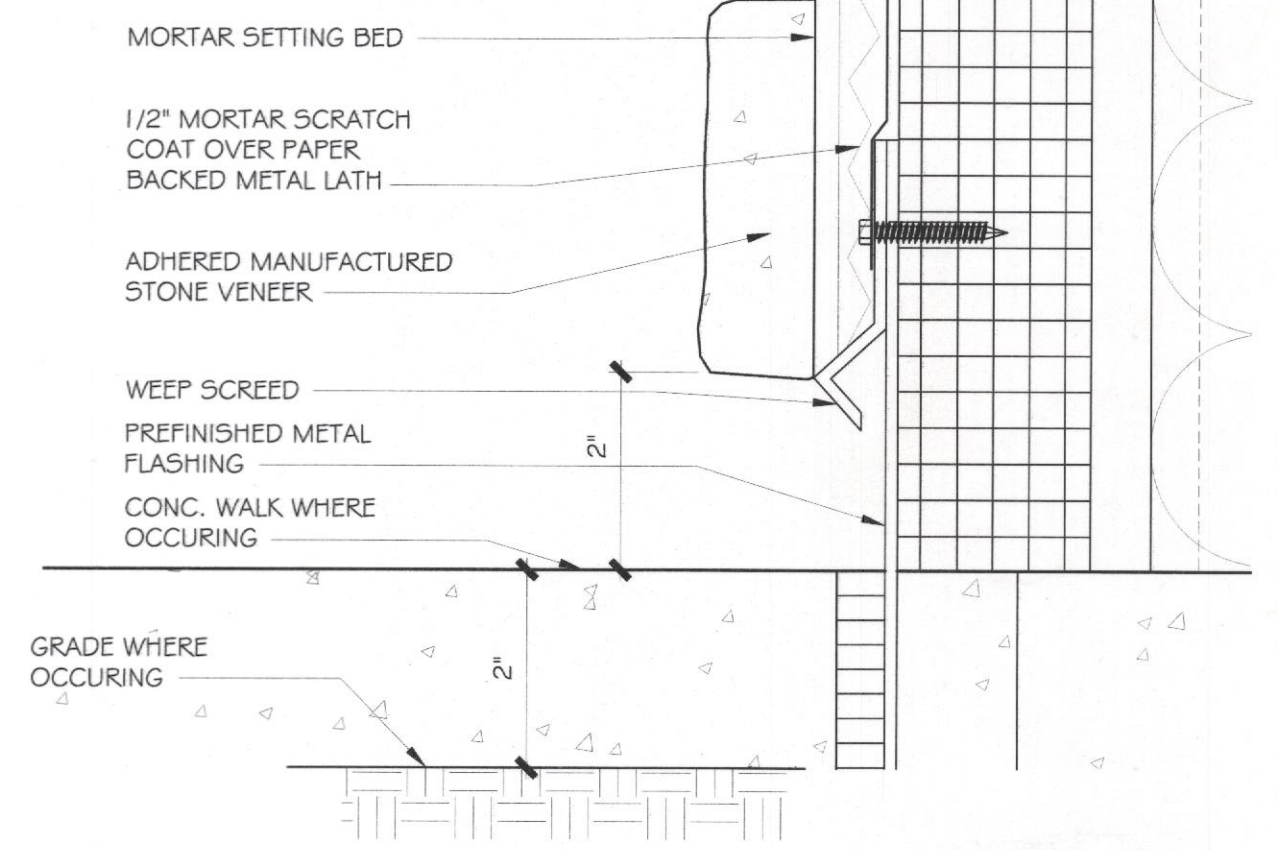
E10 EXTERIOR WALL DETAIL
SCALE: 6" = 1'-0"



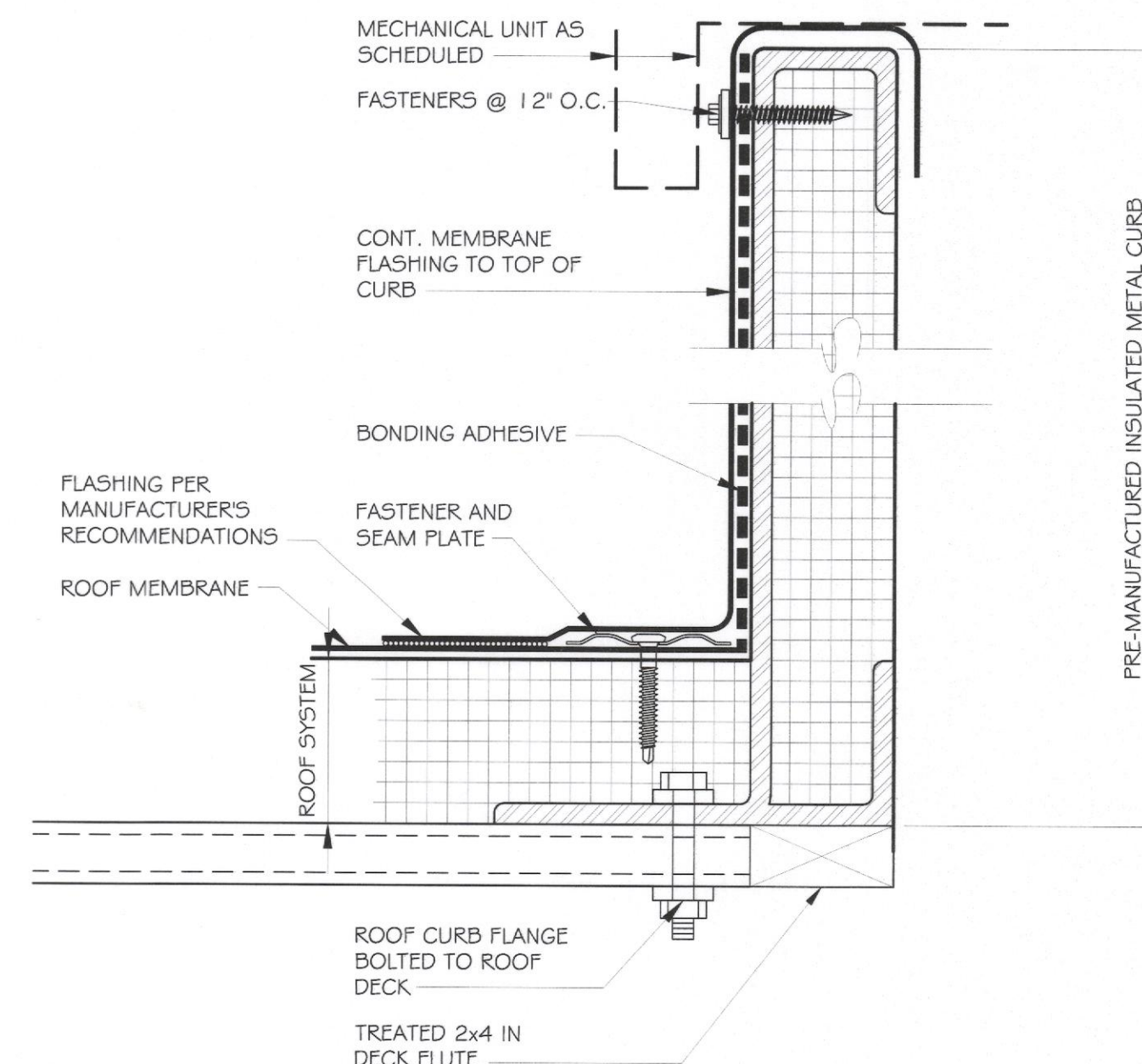
E7 EXTERIOR WALL DETAIL
SCALE: 6" = 1'-0"



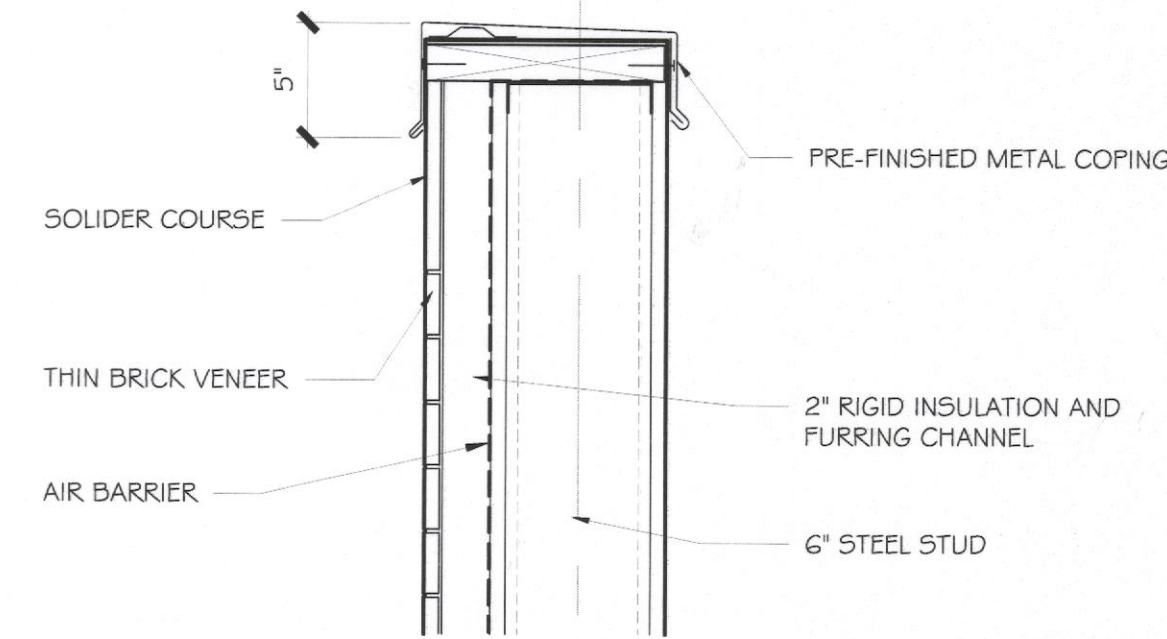
E4 EXTERIOR WALL DETAIL
SCALE: 6" = 1'-0"



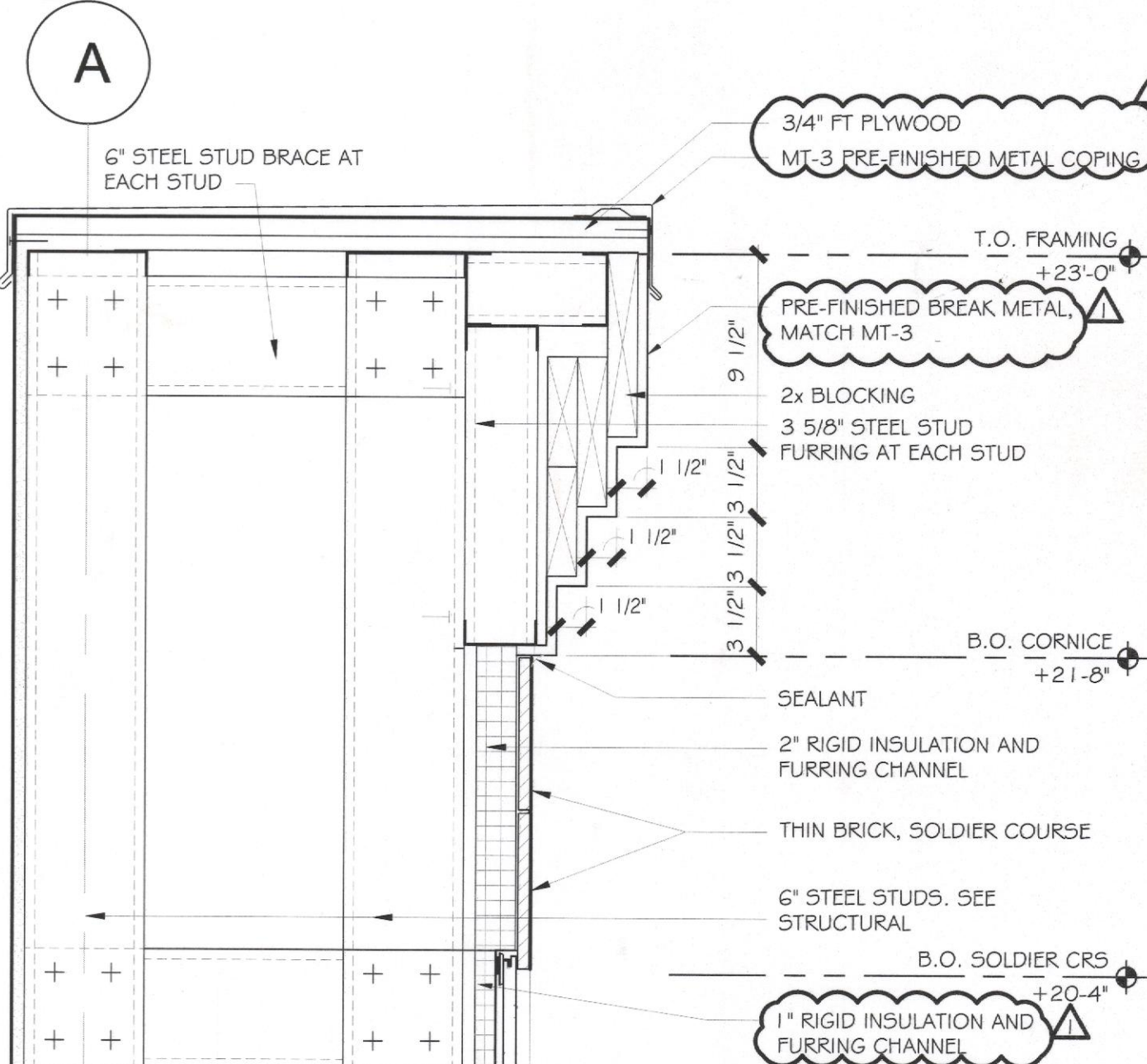
E1 EXTERIOR WALL DETAIL
SCALE: 6" = 1'-0"



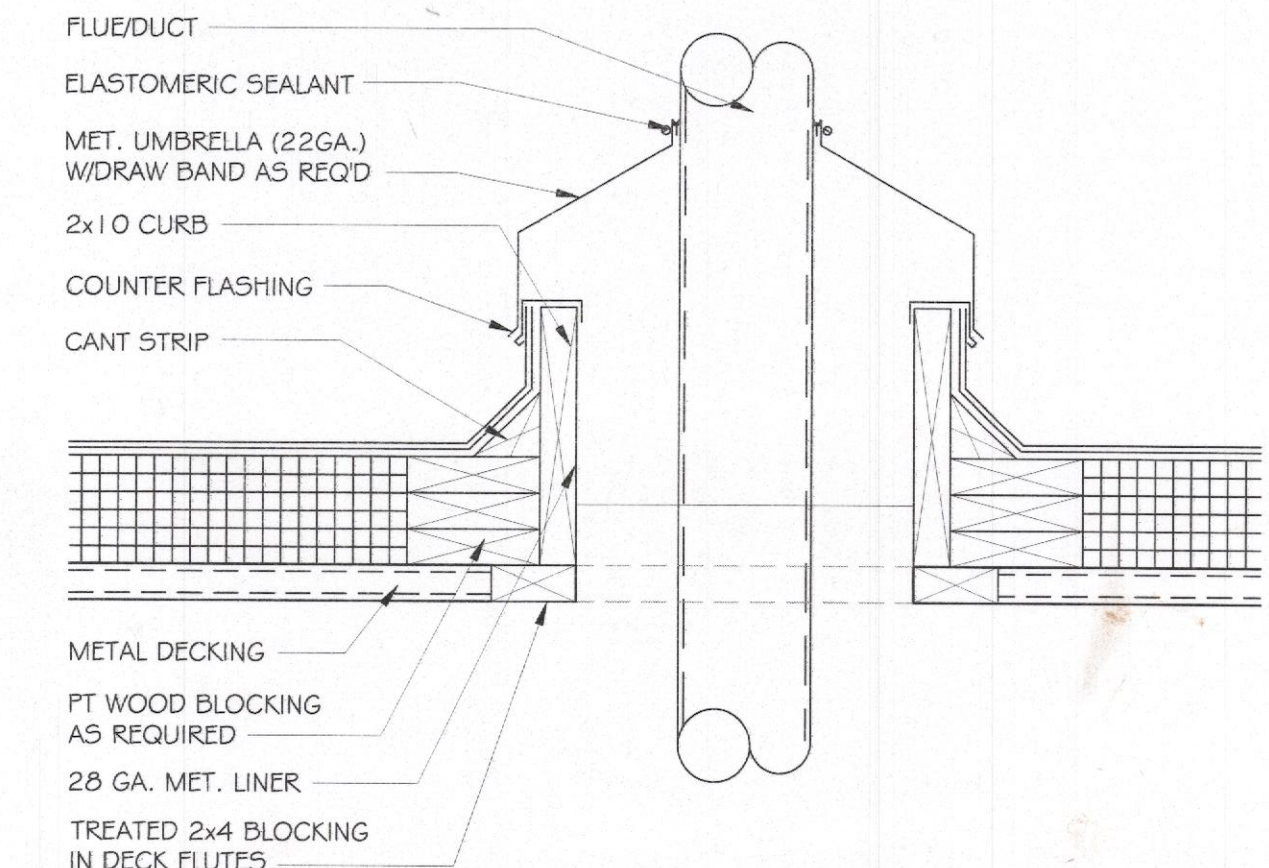
J8 CURB DETAIL
SCALE: 3" = 1'-0"



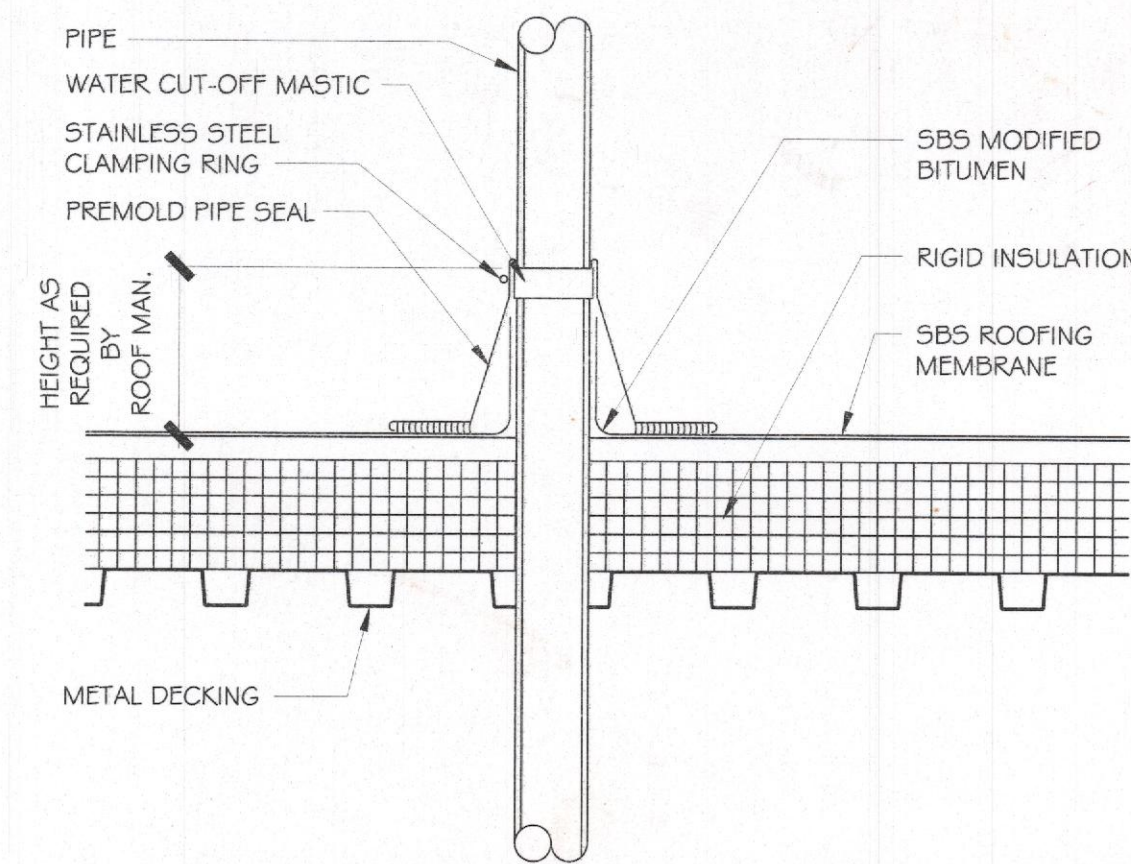
J5 COPING DETAIL
SCALE: 1-1/2" = 1'-0"



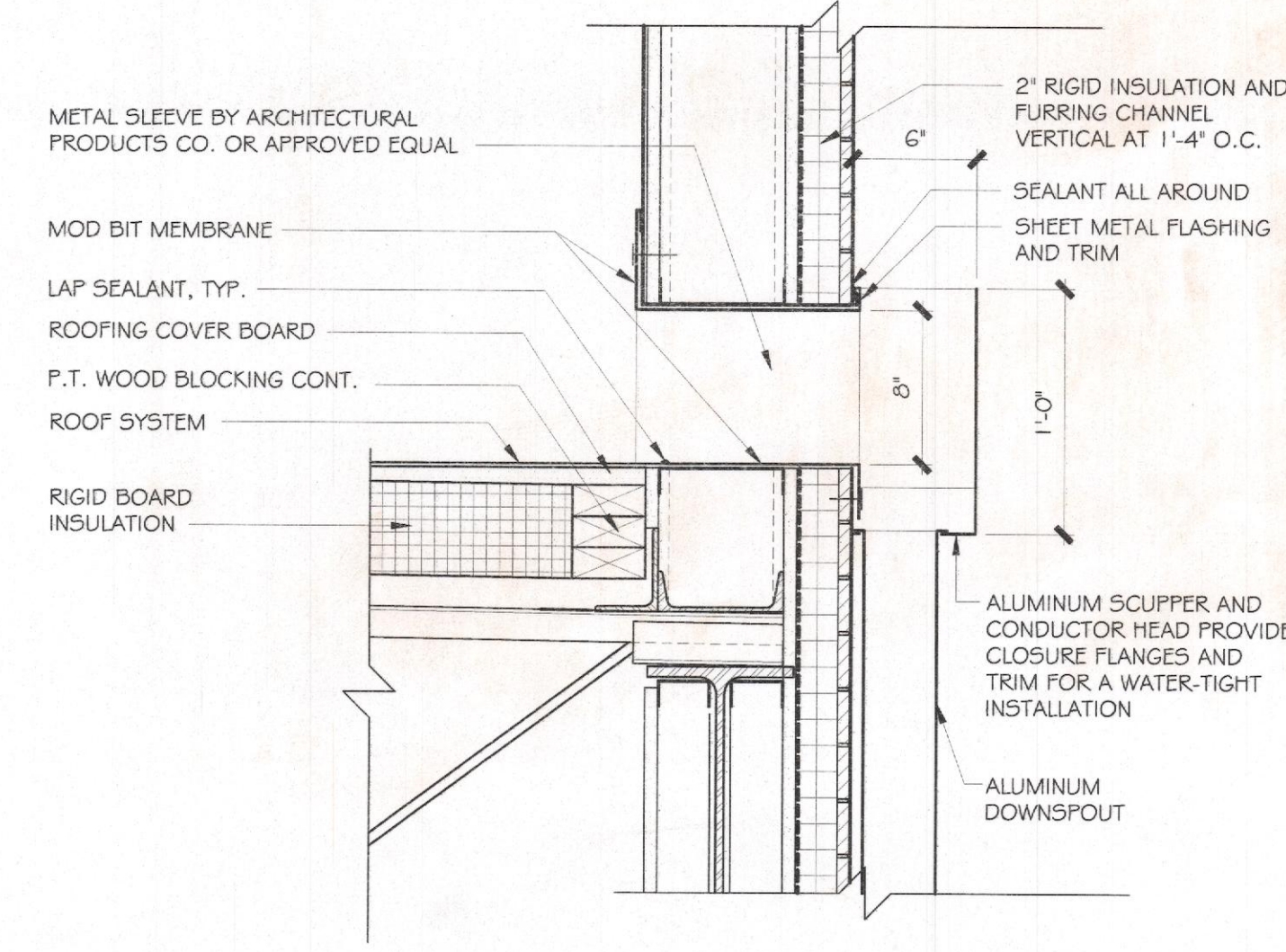
J1 COPING DETAIL
SCALE: 1-1/2" = 1'-0"



N8 FLUE/DUCT EXHAUST FAN PENETRATION DETAIL
SCALE: 1-1/2" = 1'-0"



N5 PIPE PENETRATION DETAIL
SCALE: 1-1/2" = 1'-0"



N1 SCUPPER DETAIL
SCALE: 1-1/2" = 1'-0"



L2M
ARCHITECTS

L2M
ARCHITECTS

I certify that these documents were prepared or approved by me, and that I am a duly licensed architect under the laws of the state of Maryland Lic. 9839 Exp. 07 December 2017.



DASH IN
STORE #079
QUARTERFIELD RD - SEVERN, MD

REV. #	ISSUE/DESCRIPTION	DATE
1	OWNER COMMENTS	5/10/2017

SHEET TITLE:	
DETAILS	
DRAWING DATE:	01 APRIL 2017
DRAWN BY:	STAFF
REVIEWED BY:	SDL
PROJECT #	15.108
SHEET #	A-501
FILE NAME:	15.108 - A-501.dwg