



L2M
811 Cromwell Park Drive, Suite 113
Cromwell Business Park at BWI
Chesapeake, Maryland 21061
L2M@L2M.com
Phone 410.863.1302
Fax 410.863.1308

L2M
ARCHITECTS

I certify that these documents were prepared or approved by me, and that I am a duly licensed architect under the laws of the state of Maryland Lic. 8839 Exp. 07 December 2017.



DASH IN
STORE #079
QUARTERFIELD RD - SEVERN, MD

REV #	ISSUE / DESCRIPTION	DATE
	OWNER COMMENTS	3/29/2017

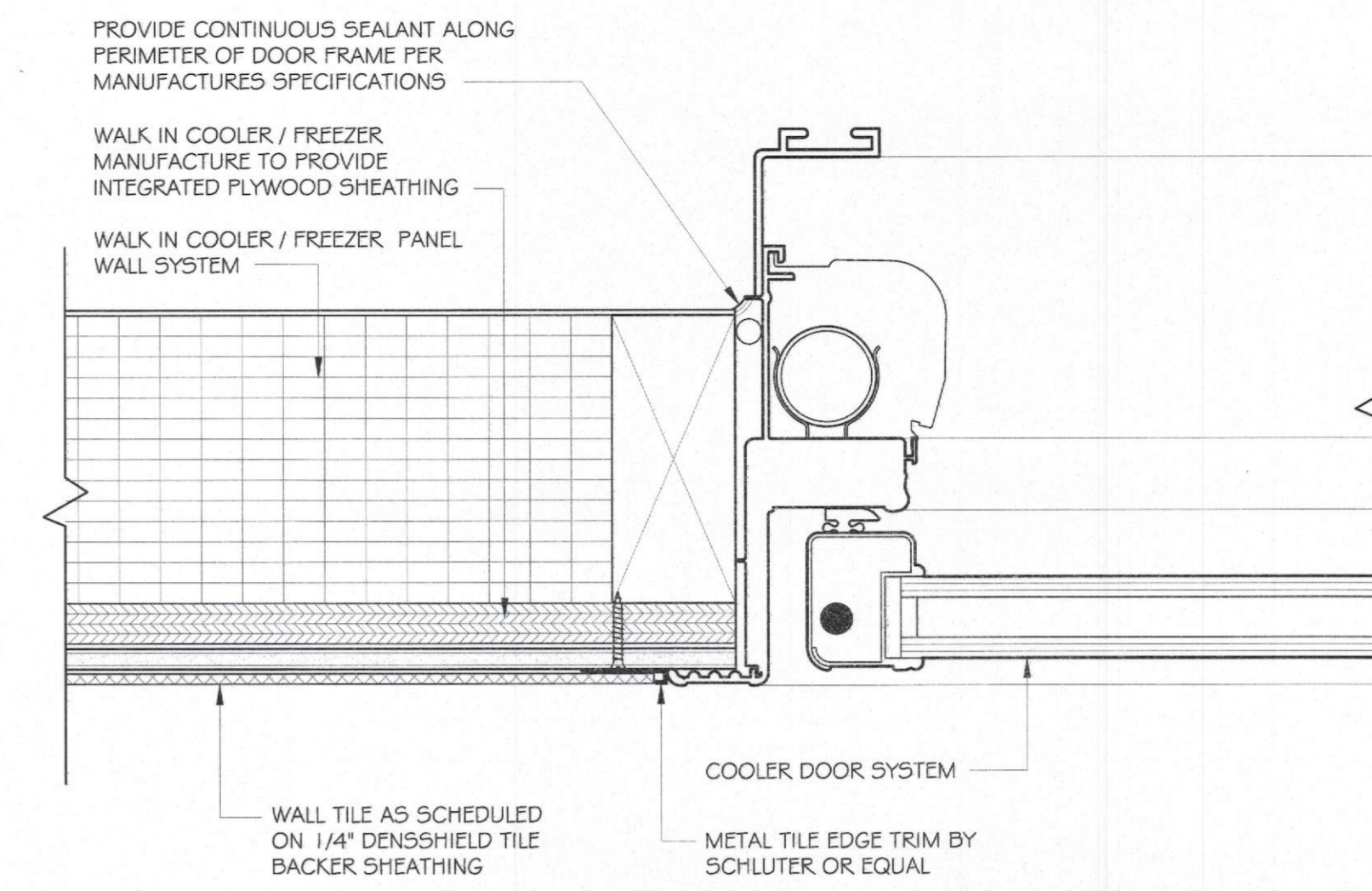
SHEET TITLE:

DETAILS

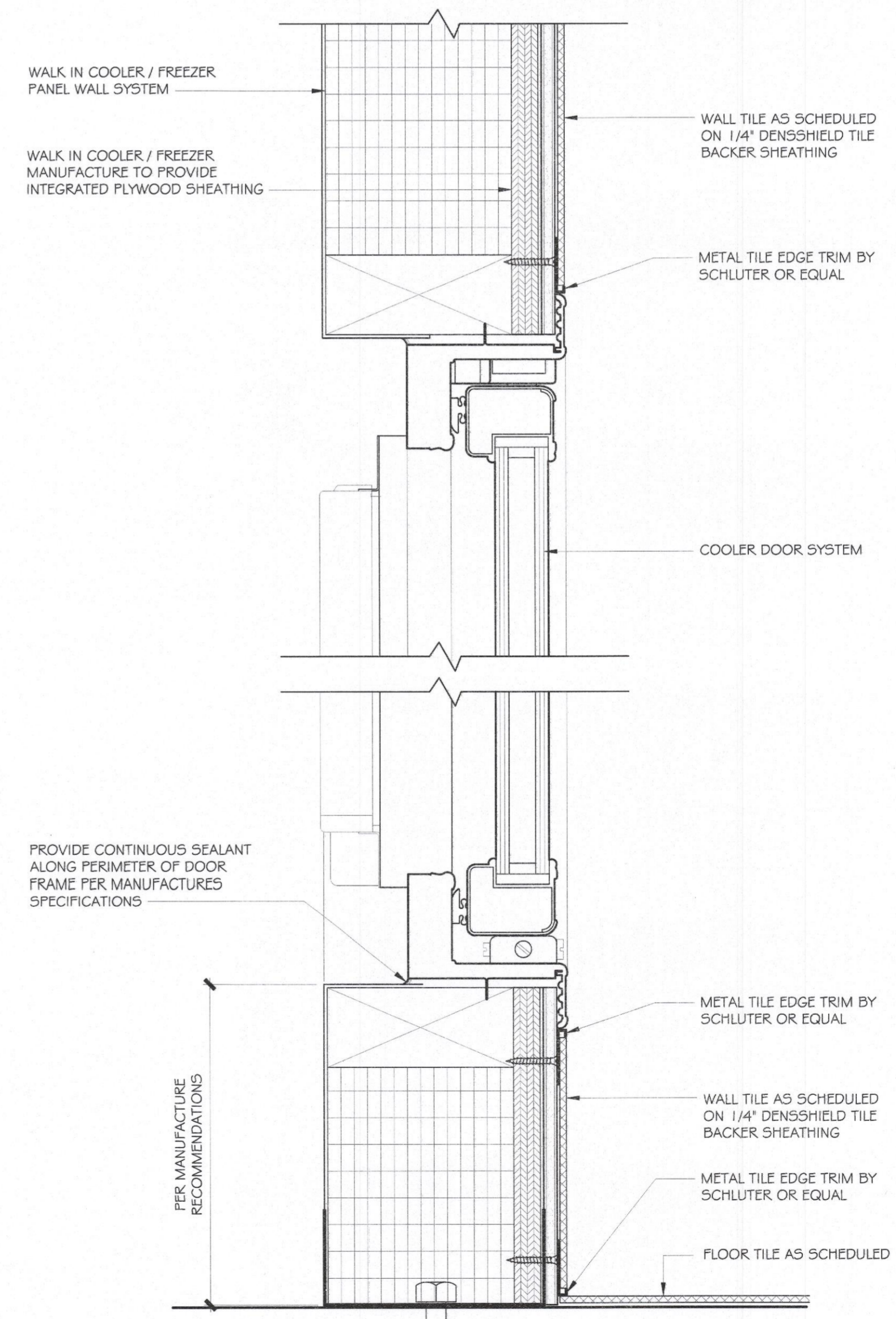
DRAWING DATE: 01 APRIL 2017	REVIEWED BY:
DRAWN BY: STAFF	SDL
PROJECT # 15.108	
SHEET #	

A-502

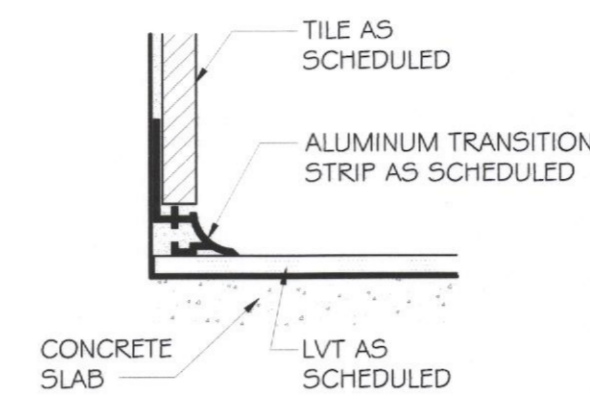
FILE NAME:
15.108 - A-501.dwg



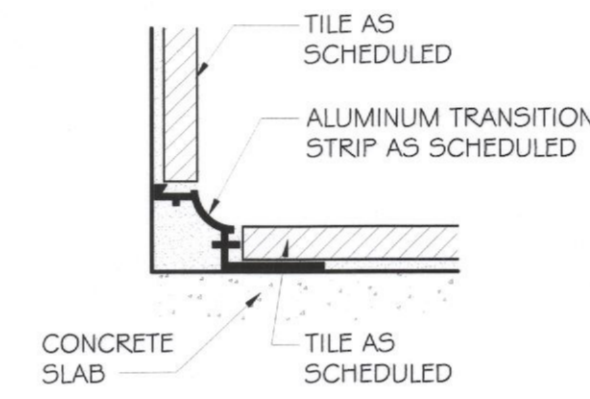
A9 COOLER JAMB TILE DETAIL
SCALE: 6" = 1'-0"



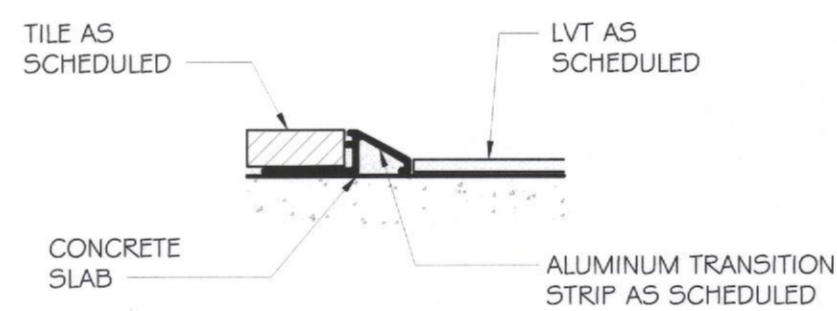
A1 COOLER HEAD AND SILL TILE DETAIL
SCALE: 6" = 1'-0"



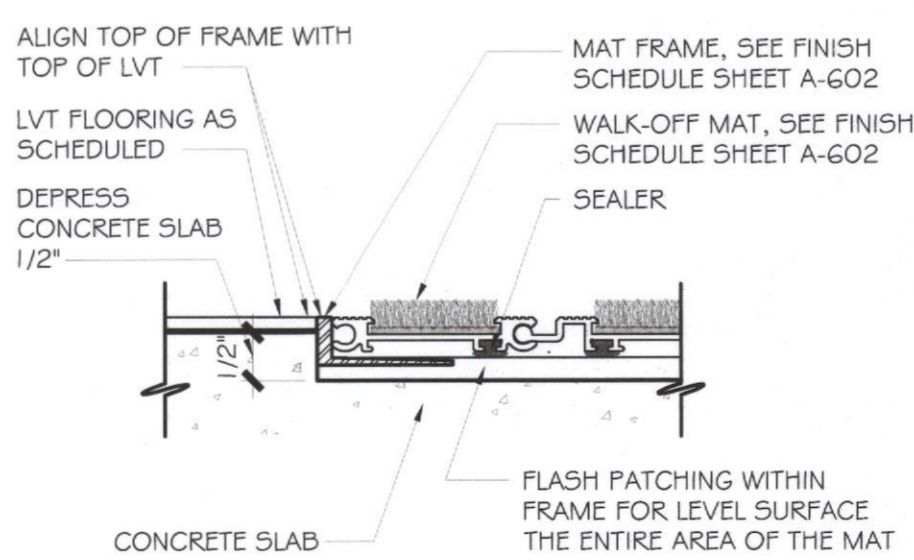
H9 WALL TILE TO LVT FLOORING DETAIL
SCALE: 6" = 1'-0"



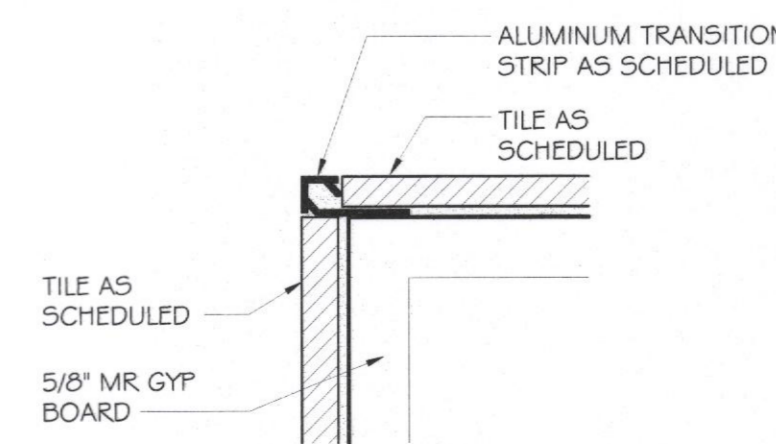
H7 WALL TILE TO TILE FLOORING DETAIL
SCALE: 6" = 1'-0"



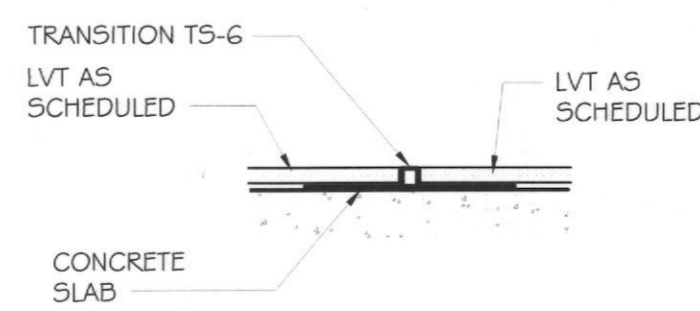
H5 TILE TO LVT TRANSITION DETAIL
SCALE: 6" = 1'-0"



H3 TILE/WALK-OFF MAT TRANSITION
SCALE: 6" = 1'-0"



H1 WALL TILE OUTSIDE CORNER DETAIL
SCALE: 6" = 1'-0"



H1 LVT TRANSITION DETAIL
SCALE: 6" = 1'-0"