



L2M  
811 Cromwell Park Drive, Suite 113  
Cromwell Business Park at BWI  
Glen Burnie, Maryland 21061  
L2M@L2M.com  
Phone: 410.863.1302  
Fax: 410.863.1308

L2M  
ARCHITECTS

I certify that these documents were prepared or approved by me, and that I am a duly licensed architect under the laws of the state of Maryland Lic. 9839 Exp. 07 December 2017.



**DASH IN**  
STORE #079  
QUARTERFIELD RD - SEVERN, MD

REV #	ISSUE / DESCRIPTION	DATE
△	OWNER COMMENTS	5/10/2017
△	OWNER COMMENTS	7/12/2017

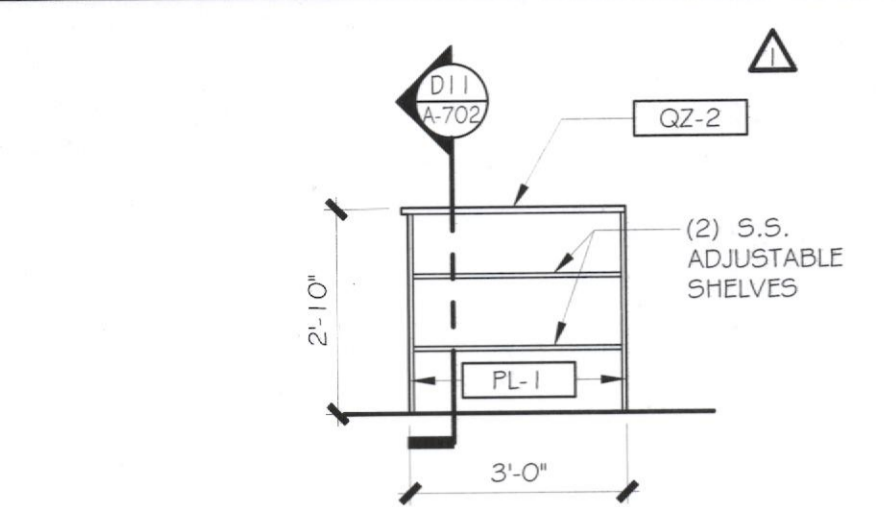
SHEET TITLE

MILLWORK DETAILS

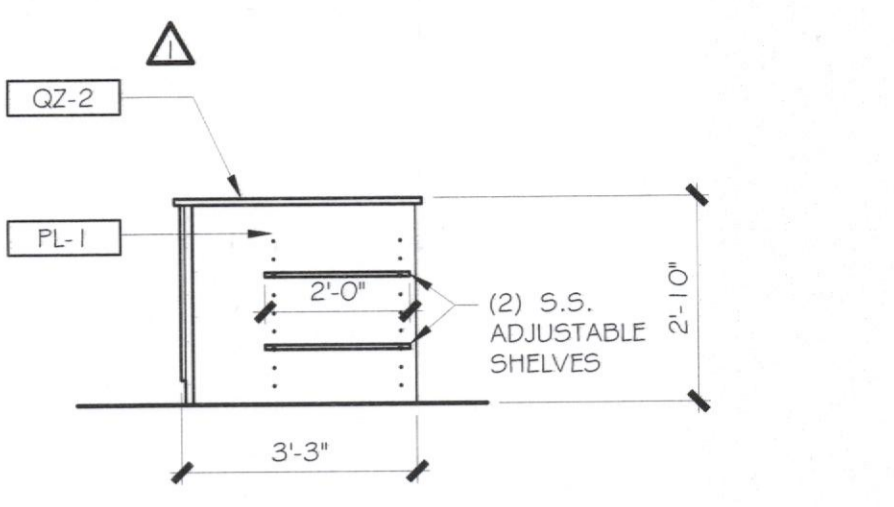
DRAWING DATE:	01 APRIL 2017
DRAWN BY:	STAFF
REVIEWED BY:	SDL
PROJECT #	15.108
SHEET #	

**A-702**

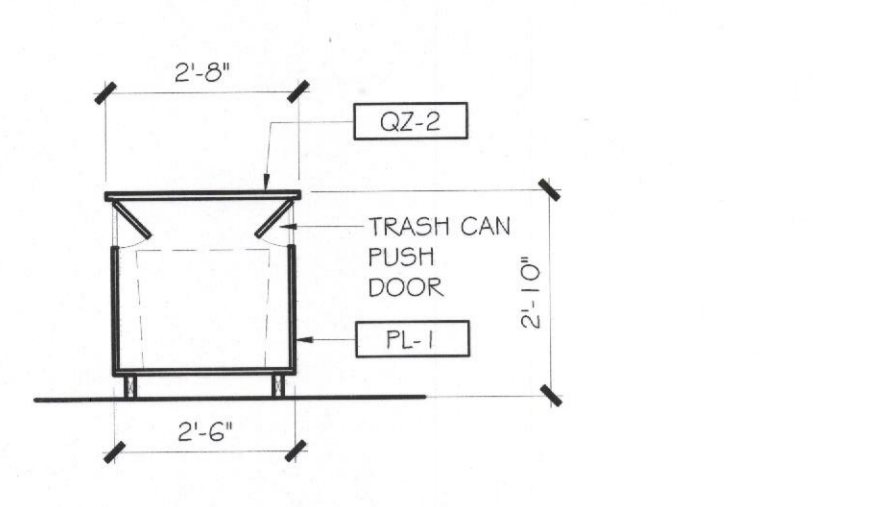
FILE NAME:  
15.108 - A-702.dwg



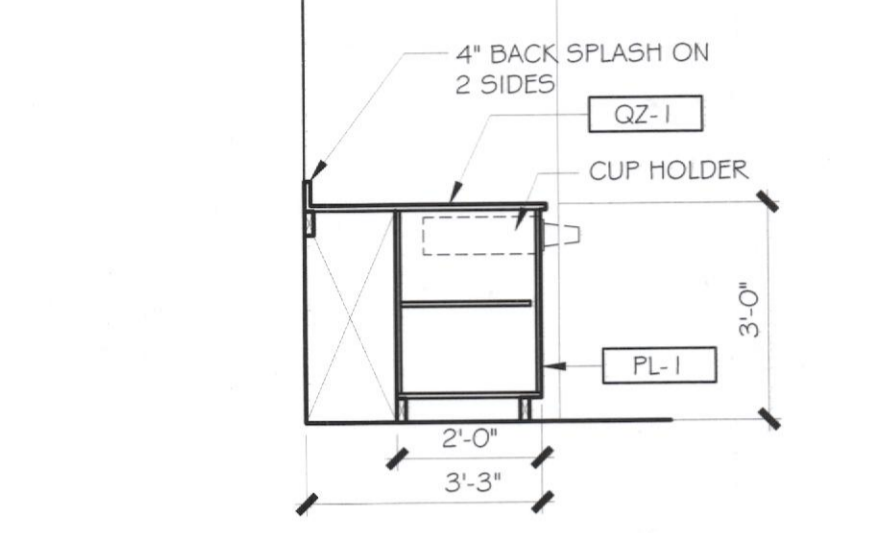
**A11** MILLWORK ELEVATION  
SCALE: 3/8" = 1'-0"



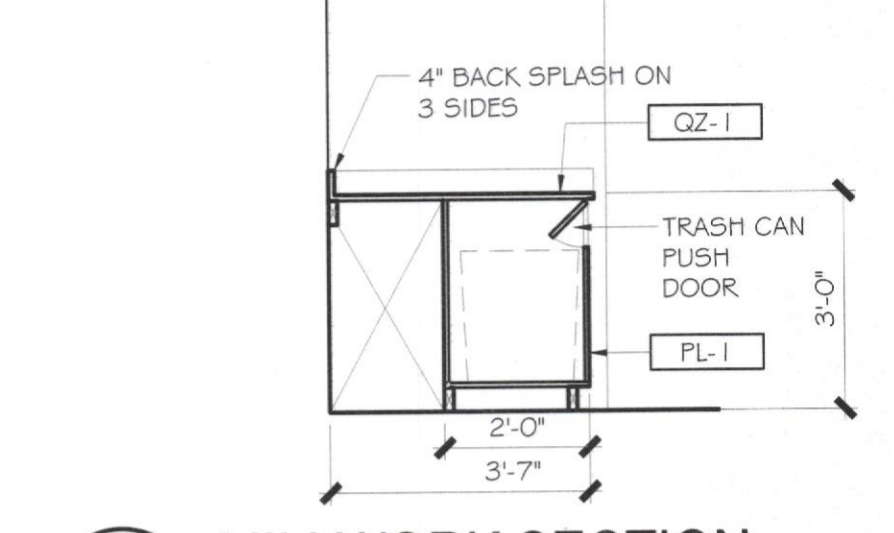
**D11** MILLWORK SECTION  
SCALE: 3/8" = 1'-0"



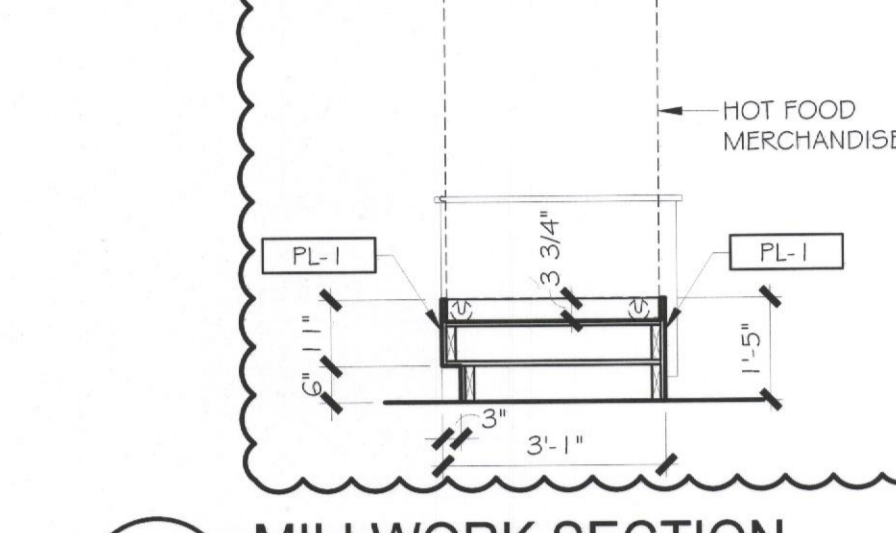
**G11** MILLWORK SECTION  
SCALE: 3/8" = 1'-0"



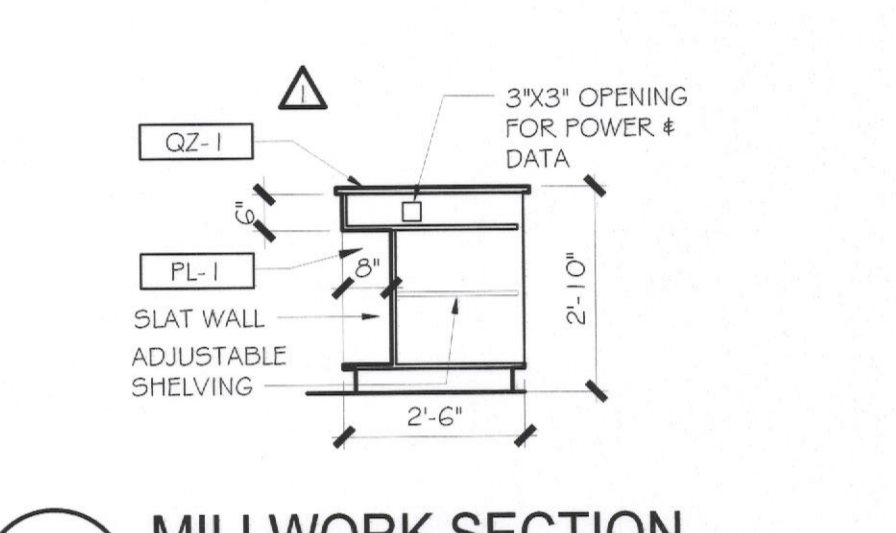
**A9** MILLWORK SECTION  
SCALE: 3/8" = 1'-0"



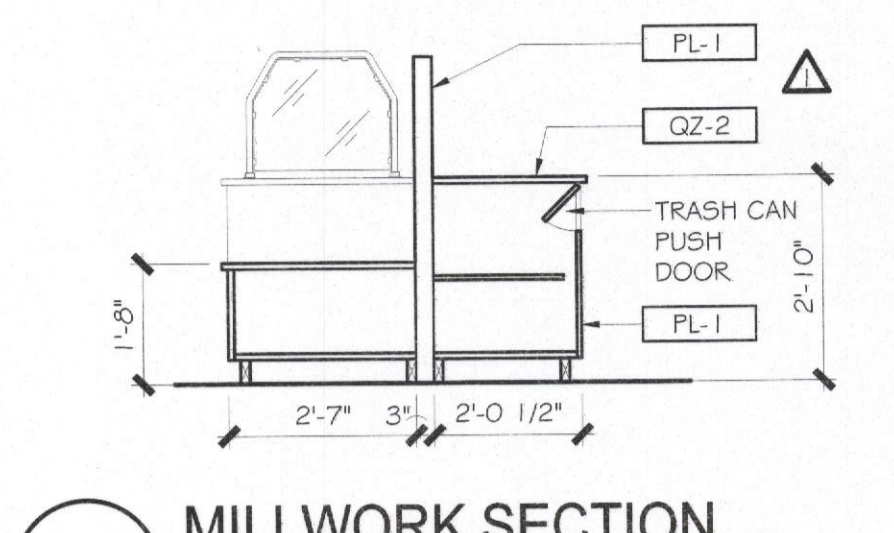
**D9** MILLWORK SECTION  
SCALE: 3/8" = 1'-0"



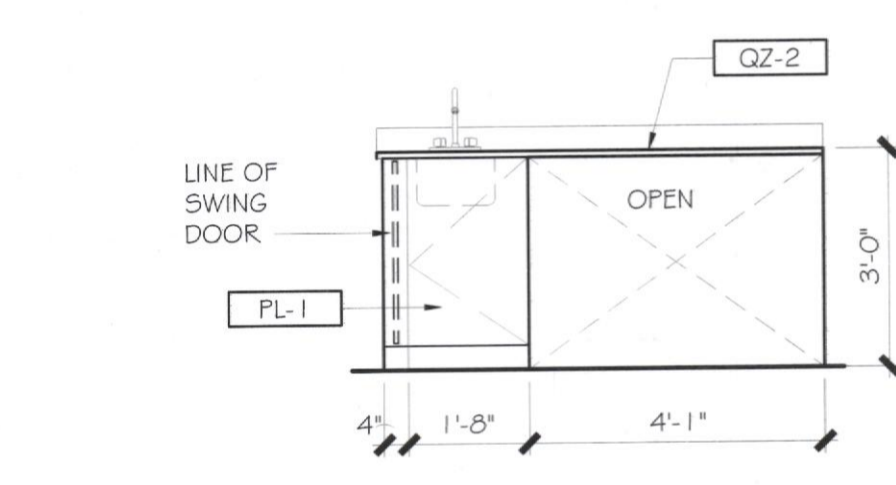
**G9** MILLWORK SECTION  
SCALE: 3/8" = 1'-0"



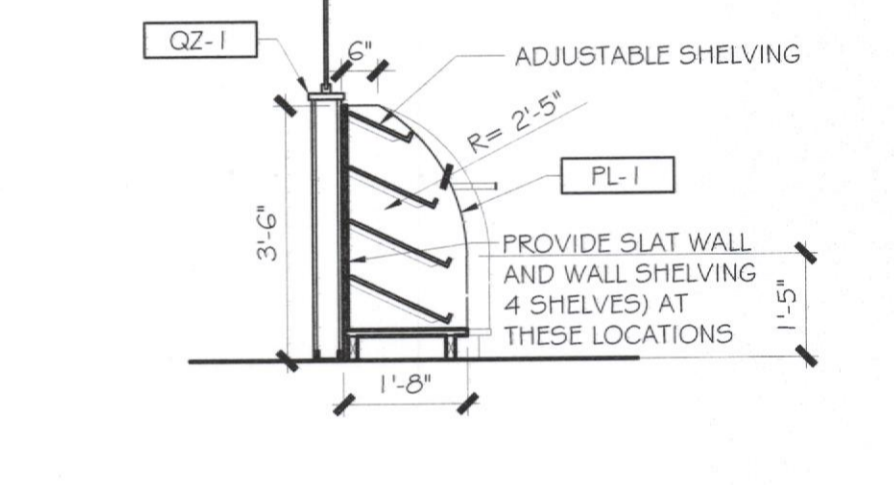
**K9** MILLWORK SECTION  
SCALE: 3/8" = 1'-0"



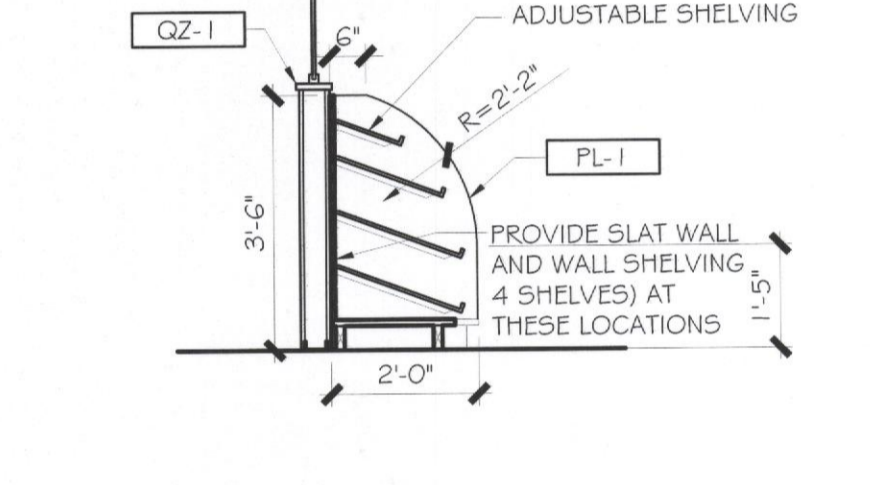
**N9** MILLWORK SECTION  
SCALE: 3/8" = 1'-0"



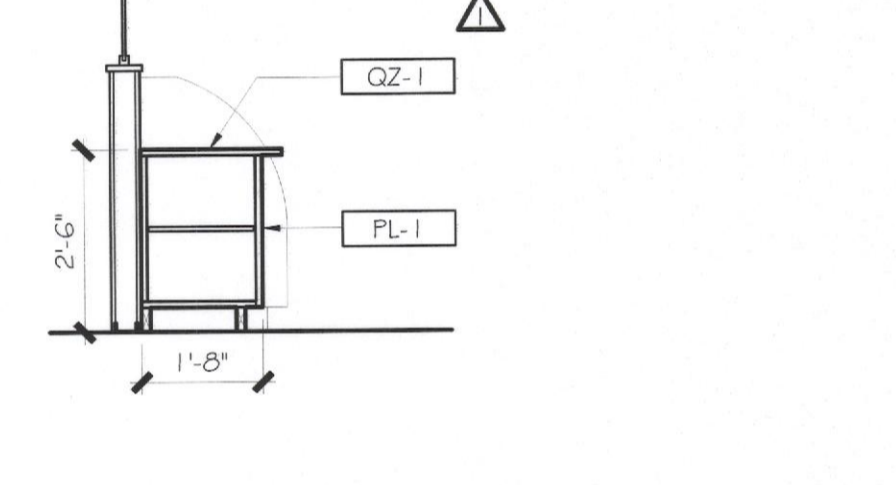
**A6** MILLWORK ELEVATIONS  
SCALE: 3/8" = 1'-0"



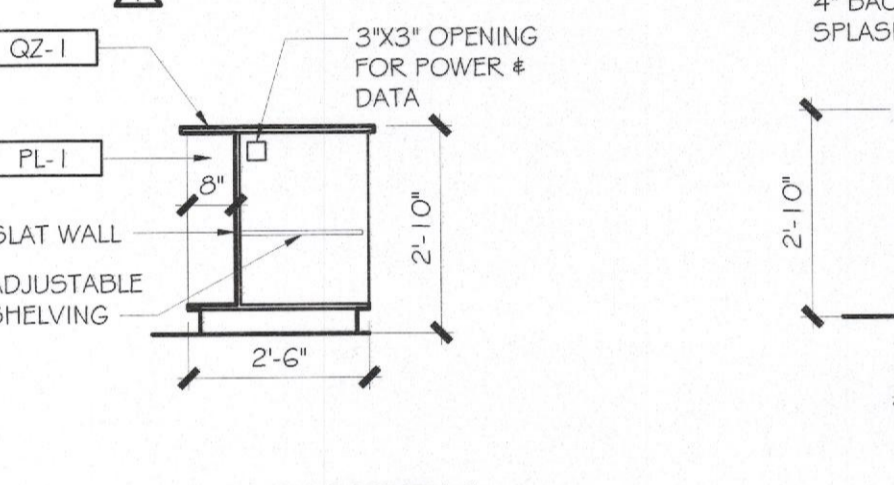
**D6** MILLWORK SECTION  
SCALE: 3/8" = 1'-0"



**G6** MILLWORK SECTION  
SCALE: 3/8" = 1'-0"



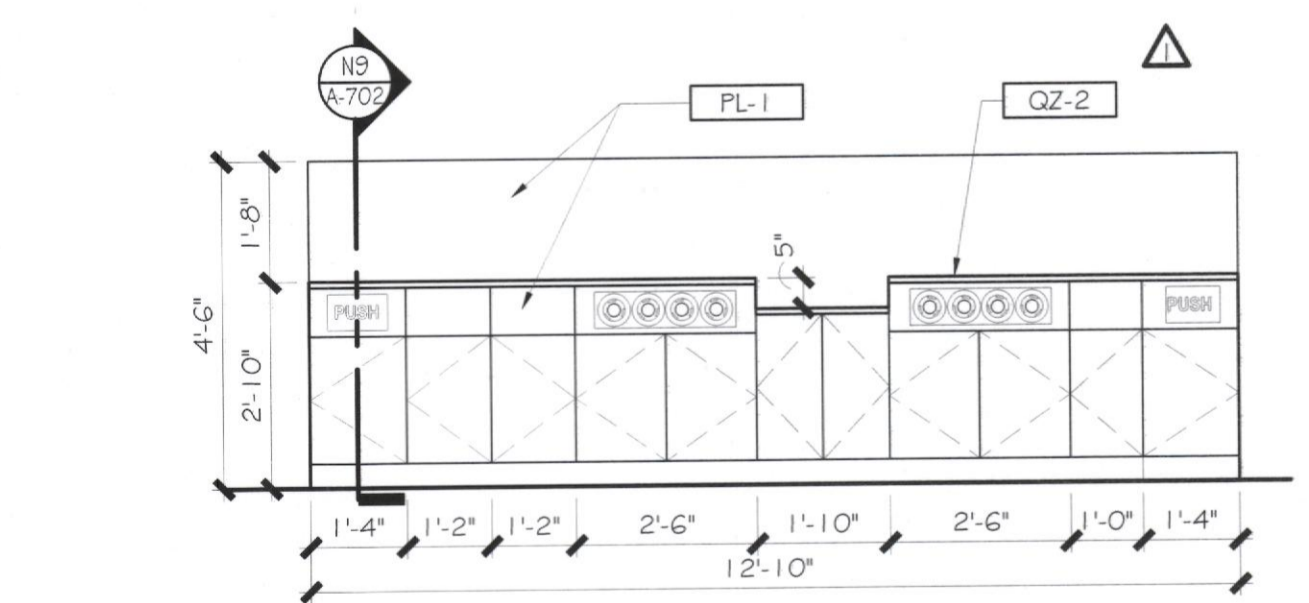
**K6** MILLWORK SECTION  
SCALE: 3/8" = 1'-0"



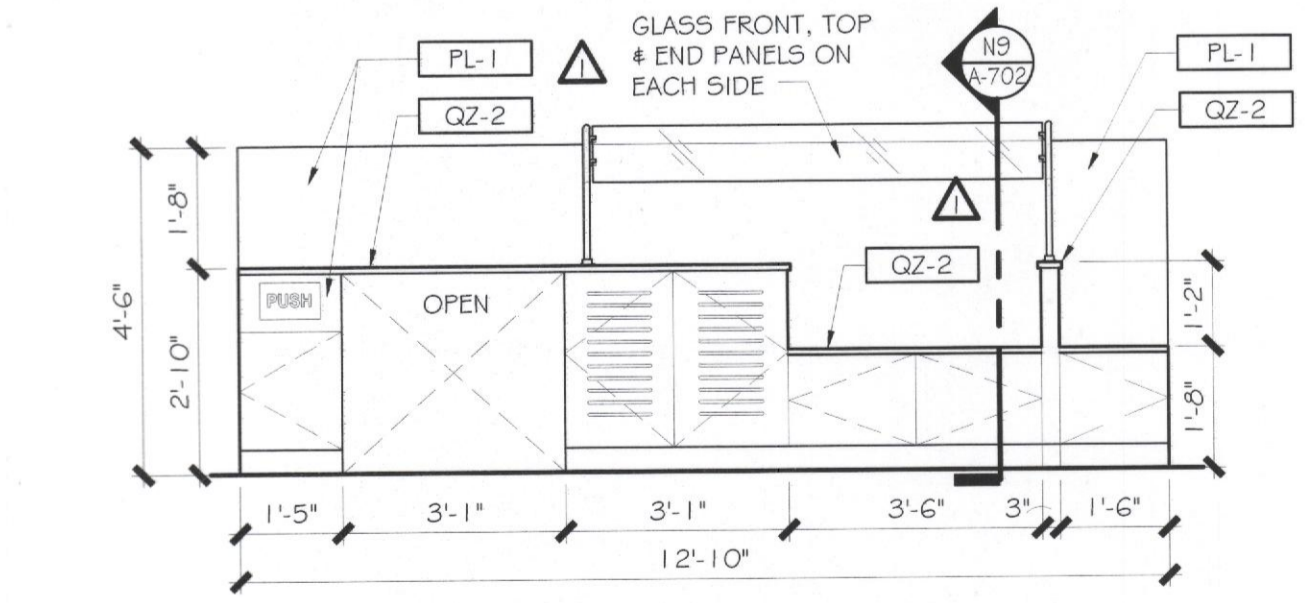
**N6** MILLWORK SECTION  
SCALE: 3/8" = 1'-0"



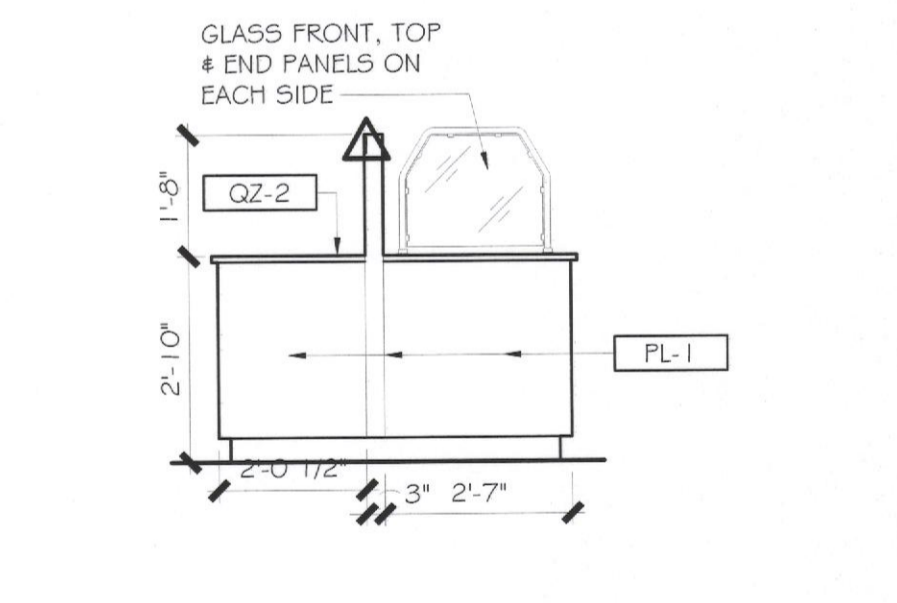
**Q6** MILLWORK ELEVATION  
SCALE: 3/8" = 1'-0"



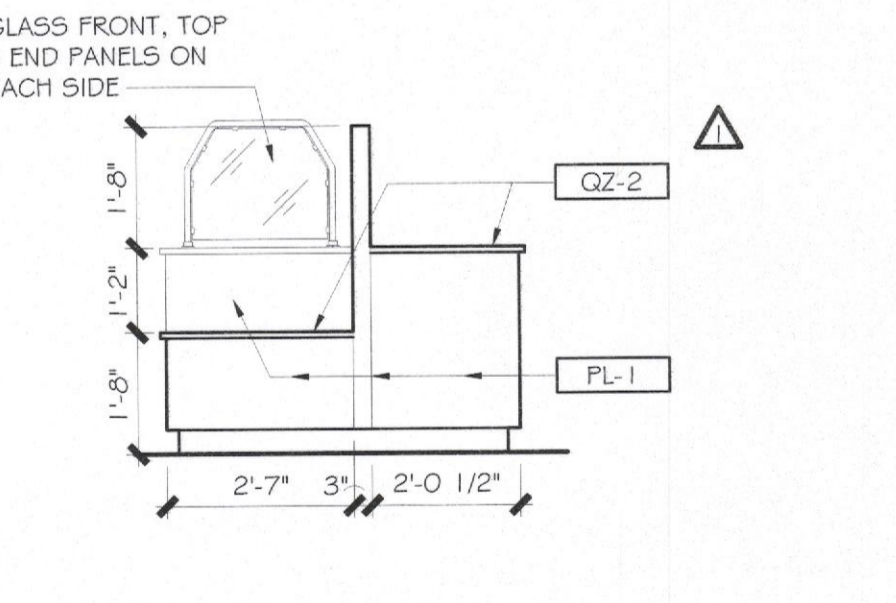
**A3** MILLWORK ELEVATIONS  
SCALE: 3/8" = 1'-0"



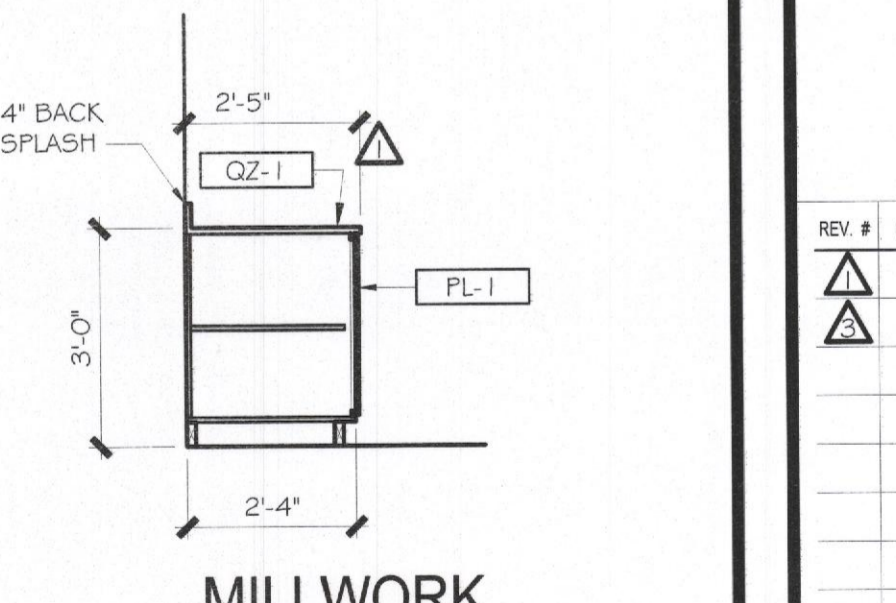
**E3** MILLWORK ELEVATIONS  
SCALE: 3/8" = 1'-0"



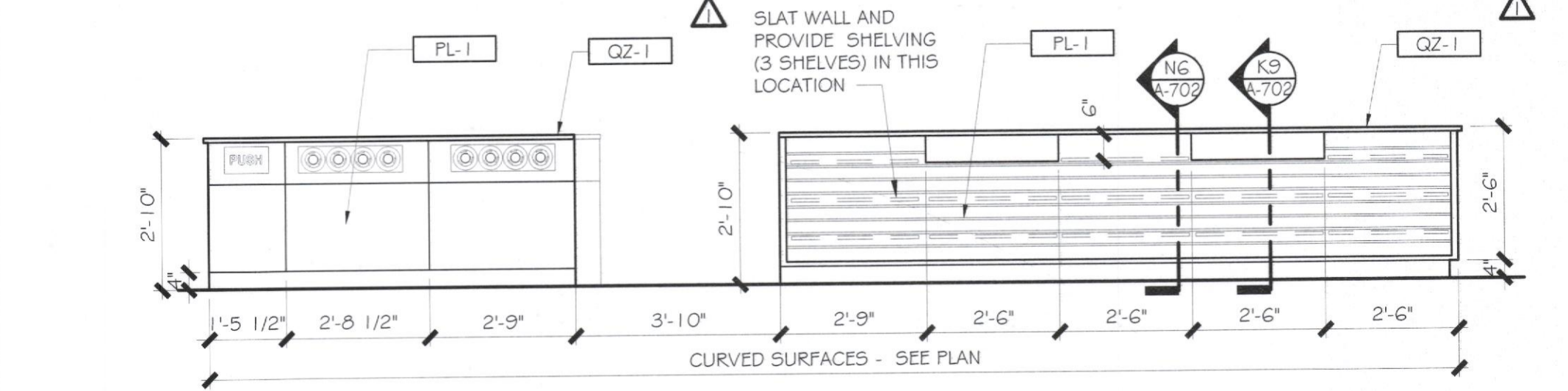
**J3** MILLWORK ELEVATIONS  
SCALE: 3/8" = 1'-0"



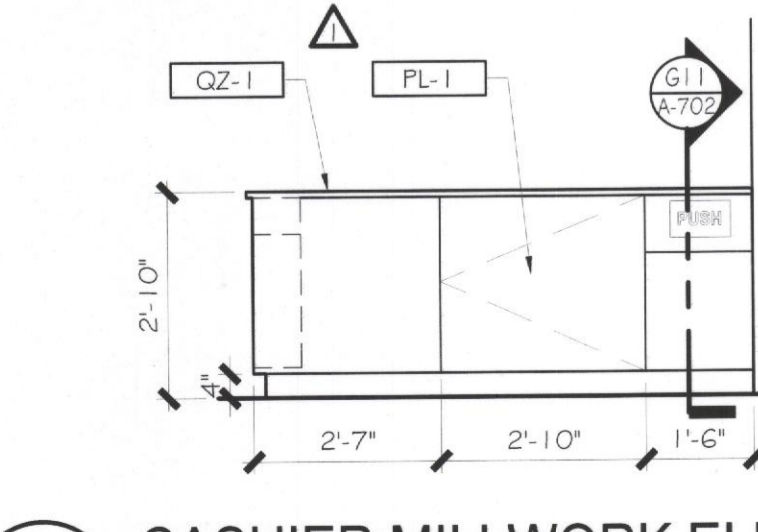
**M3** MILLWORK ELEVATIONS  
SCALE: 3/8" = 1'-0"



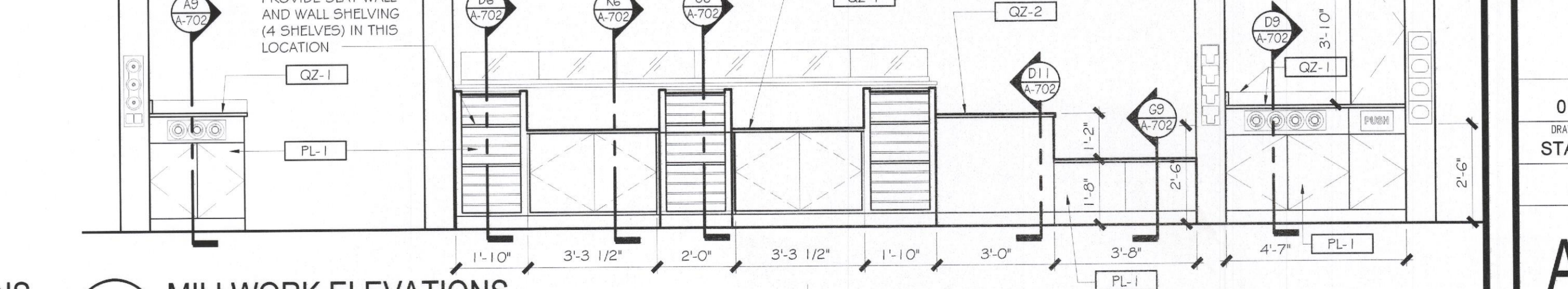
**Q3** MILLWORK ELEVATION  
SCALE: 3/8" = 1'-0"



**A1** CASHIER MILLWORK ELEVATIONS  
SCALE: 3/8" = 1'-0"



**G1** CASHIER MILLWORK ELEVATIONS  
SCALE: 3/8" = 1'-0"



**K1** MILLWORK ELEVATIONS  
SCALE: 3/8" = 1'-0"