

## GAS-FIRED ROOFTOP UNIT SCHEDULE

MARK	AREA SERVED	SUPPLY FAN						COOLING				HEATING					ELECTRICAL			EER	WEIGHT LBS	BASIS OF DESIGN	REMARKS				
		TOTAL CFM	MINIMUM OA CFM	ESP INCHES WG	BHP	HP	RPM	EAT		LAT		TOTAL MBH	SENSIBLE MBH	TYPE	EAT °F	LAT °F	REQUIRED MBH	STAGES	EFFICIENCY %					V/Ø/Hz	MCA	MOCP	
								°F DB	°F WB	°F DB	°F WB																
RTU-1	ENTIRE STORE	4,000	1,100	0.75	1.2	1.5	711	80.2	66.2	56.0	55.5	1.6	106.6	NATURAL GAS	50.8	95.0	191.1	2	80	208/60	64.1	80	12.4	2,454	CARRIER 48LC	1,2,4,5,6,7,8	
<b>REMARKS:</b> 1. PROVIDE WITH SINGLE POINT POWER ELECTRICAL CONNECTION. 2. PROVIDE WITH FACTORY MOUNTED ELECTRICAL DISCONNECT. 3. PROVIDE WITH MERV-13 FILTER. 4. PROVIDE WITH TWO DUCT SMOKE DETECTORS TO SHUT DOWN UNIT. 5. PROVIDE WITH 7-DAY PROGRAMMABLE THERMOSTAT. 6. UNIT TO BE CAPABLE OF PROVIDING 100% OUTDOOR AIR ECONOMIZER MODE WITH ENTHALPY SENSORS ON OUTDOOR AIR AND RETURN AIR SIDE, AND BAROMETRIC RELIEF DAMPER. 7. PROVIDE WITH 14" FULLY INSULATED ROOF CURB. 8. PROVIDE WITH MOTORIZED OUTDOOR AIR DAMPER.																											

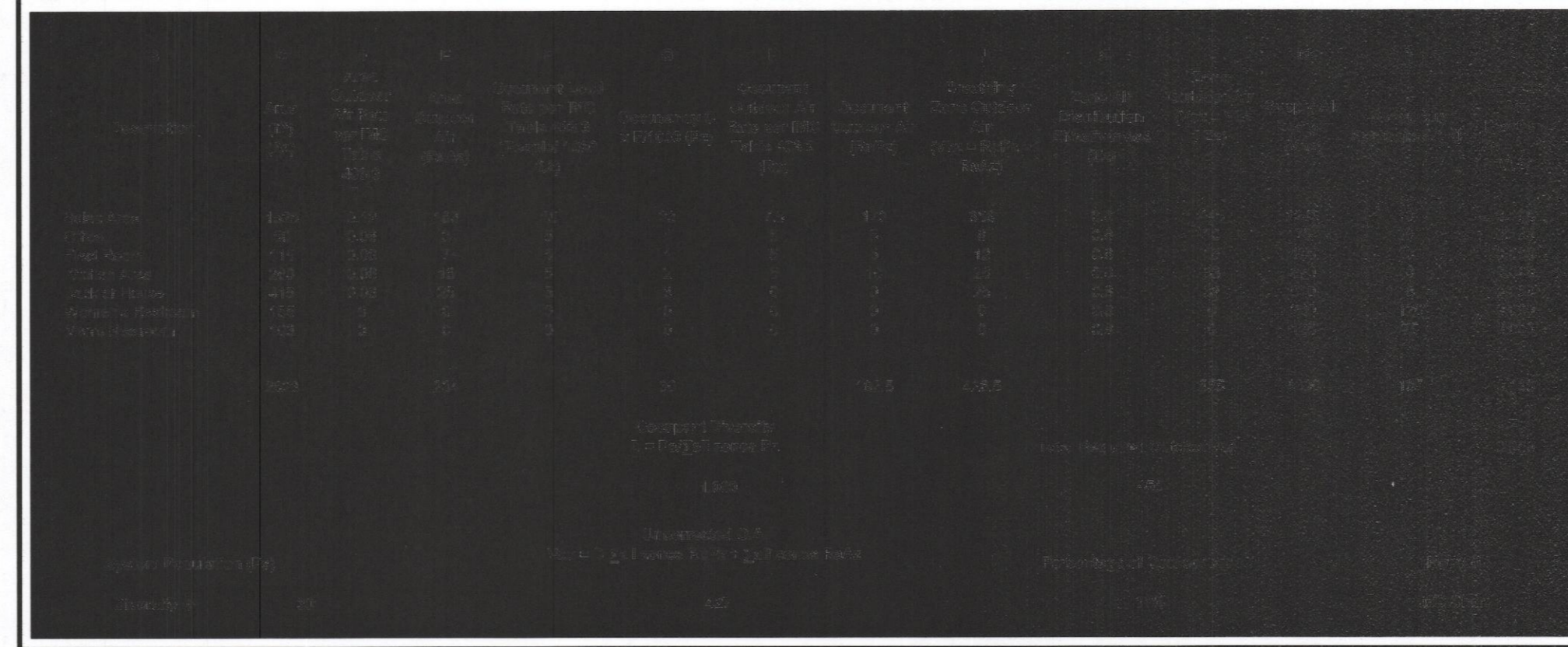
## FAN SCHEDULE

MARK	SERVICE	TYPE	CFM	ESP INCH WG	BHP	HP	RPM	WHEEL DIAMETER INCHES	DRIVE	ELECTRICAL V / Ø / Hz	WEIGHT LBS	BASIS OF DESIGN	NOTES
EF-1	TOILET ROOMS	A	425	0.	0.04	1/20	1,282	-	DIRECT	120/1/60	5	GREENHECK MODEL G	1,2
<b>NOTES:</b> 1. PROVIDE ROOF MOUNTED DOWNBLAST CENTRIFUGAL FAN WITH GRAVITY BACKDRAFT DAMPER, BIRDSCREEN, WEATHERPROOF DISCONNECT, AND 12" PREFABRICATED SLOPED ROOF CURB. 2. FAN TO RUN CONTINUOUSLY DURING OCCUPIED HOURS THROUGH TIME CLOCK.													

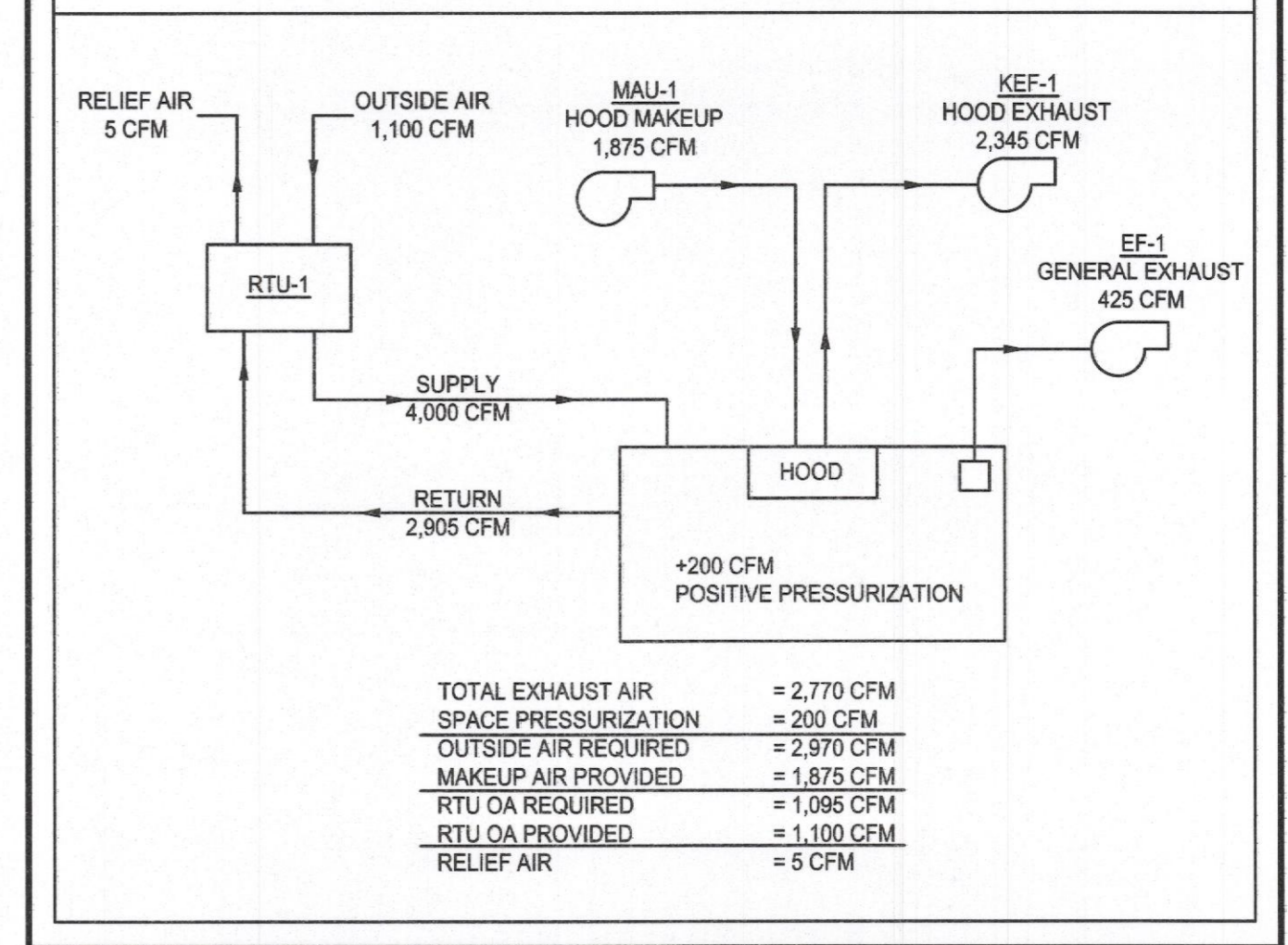
## AIR DEVICE SCHEDULE

TAG	SERVICE	TYPE	CFM RANGE	NECK SIZE (INCHES)	MODULE SIZE (INCHES)	BASIS OF DESIGN	MODEL	NOTES
A	SUPPLY	LOUVERED	1 - 110	6Ø	24 x 24	TITUS	TDC-AA	1,2,4
			111 - 280	8Ø				
			281 - 380	10Ø				
			381 - 540	12Ø				
B	RETURN	PERFORATED	1 - 130	6Ø	24 x 24	TITUS	PAR-AA	1,2
			131 - 240	8Ø				
			241 - 380	10Ø				
			381 - 540	12Ø				
			541 - 1300	22x22				
C	SUPPLY	LOUVERED	1 - 110	6Ø	12 x 12	TITUS	PAR-AA	1,2
D	EXHAUST	LOUVERED	1 - 350	14x14	15 3/4 x 15 3/4	TITUS	350-ZFL	1,2,3
<b>NOTES:</b> 1. CONTRACTOR SHALL COORDINATE COLOR, FRAME BORDER AND FINISH WITH ARCHITECT AND CEILING CONSTRUCTION. 2. ALL DIFFUSER TAKE OFF SHALL BE PROVIDED WITH SPIN IN TAPS WITH MANUAL BALANCING DAMPERS. 3. ALL SUPPLY GRILLES SHALL BE PROVIDED WITH ADJUSTABLE AT FACE DAMPERS OR CABLE OPERATED DAMPERS TO BALANCE SYSTEM. 4. PROVIDE FLEX DUCT SIZED TO MATCH NECK. FLEX DUCT LENGTH LIMITED TO 5'-0". PROVIDE EQUIVALENT HARD ROUND DUCT FOR REMAINDER OF RUNS PAST 5'-0".								

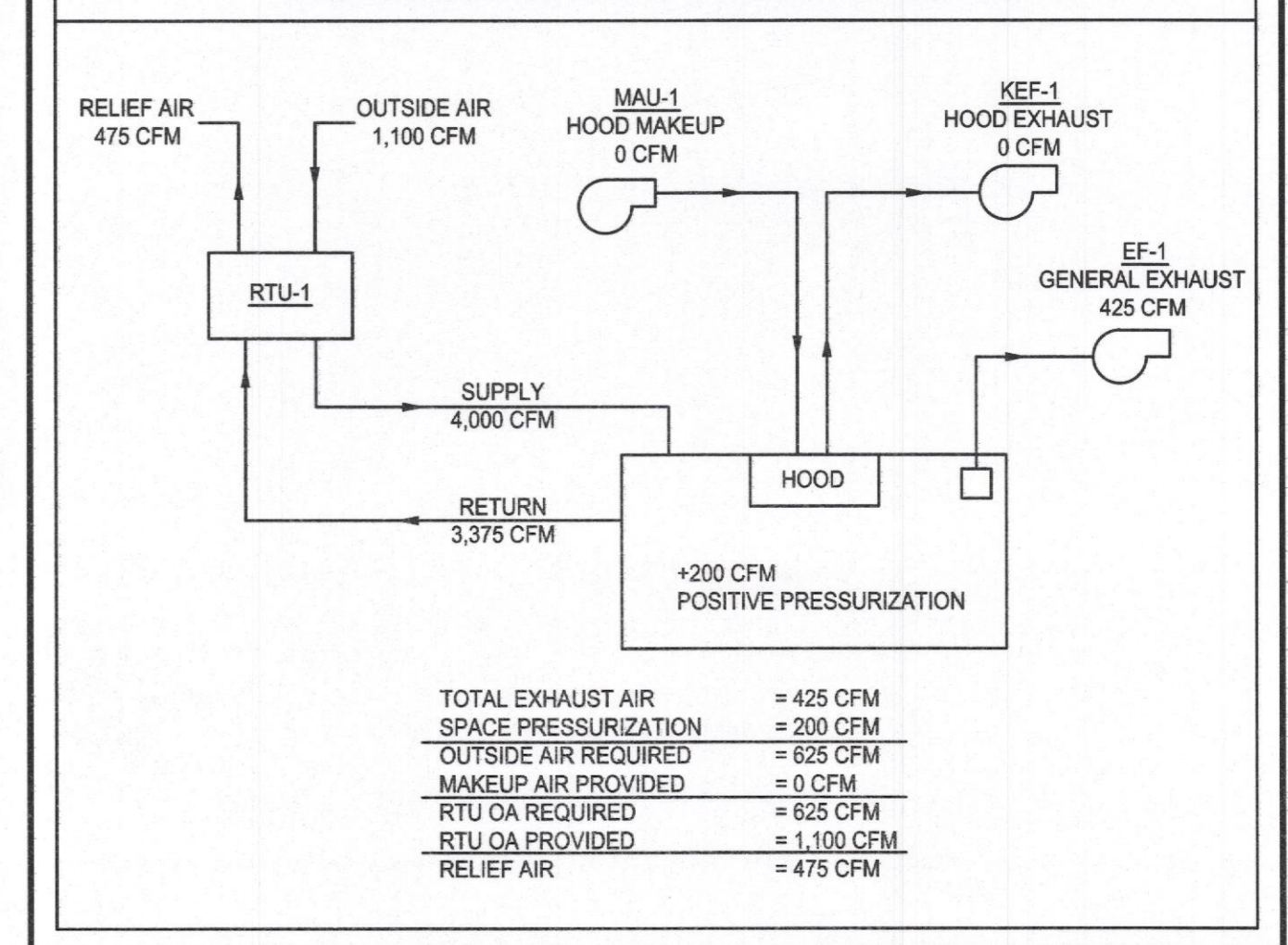
## OUTDOOR AIR CALCULATION



### AIR BALANCE DIAGRAM - HOOD RUNNING

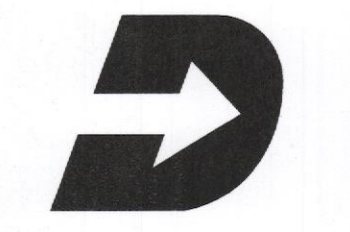


### AIR BALANCE DIAGRAM - HOOD NOT RUNNING



**BR**  
ENGINEERING SERVICES  
502 Mt Cr  
St  
G Bldg Mt 21061  
P 410 761-9600  
F 410 761-9600  
www.br.com

Pr Cr  
1st dr  
mt rd - d 1  
601 gr dr  
w. S Mt  
L2M  
E/D 9920  
17 JAN 2019



**DASH IN**  
STORE #079  
QUARTERFIELD RD - SEVERN, MD

REV. #	ISSUE / DESCRIPTION	DATE

SHEET TITLE:  
**MECHANICAL SCHEDULES**

DRAWING DATE:  
01 APRIL 2017

DRAWN BY: MVM      REVIEWED BY: MGH

PROJECT #  
2889

SHEET #  
**M-003**

FILE NAME:  
2889 - M-00 .dwg