



L2M  
811 Cromwell Park Drive, Suite 113  
Cromwell Business Park at BWI  
Chesapeake, Maryland 21061  
L2M@L2M.com  
Phone 410.863.1302  
Fax 410.863.1308

**BR**  
ENGINEERING SERVICES

502 MG Dr  
S.M.  
G Br, Md 21061  
P 410 761-9600  
F 410 761-9600  
www.br

Prj: 2889  
Rev: 01  
Date: 01 APR 2017  
Ln: 1  
Er: 1



**DASH IN**  
STORE #079  
QUARTERFIELD RD - SEVERN, MD

| REV. # | ISSUE / DESCRIPTION | DATE |
|--------|---------------------|------|
|        |                     |      |
|        |                     |      |
|        |                     |      |
|        |                     |      |
|        |                     |      |
|        |                     |      |
|        |                     |      |
|        |                     |      |
|        |                     |      |
|        |                     |      |

SHEET TITLE:

**MECHANICAL  
DETAILS**

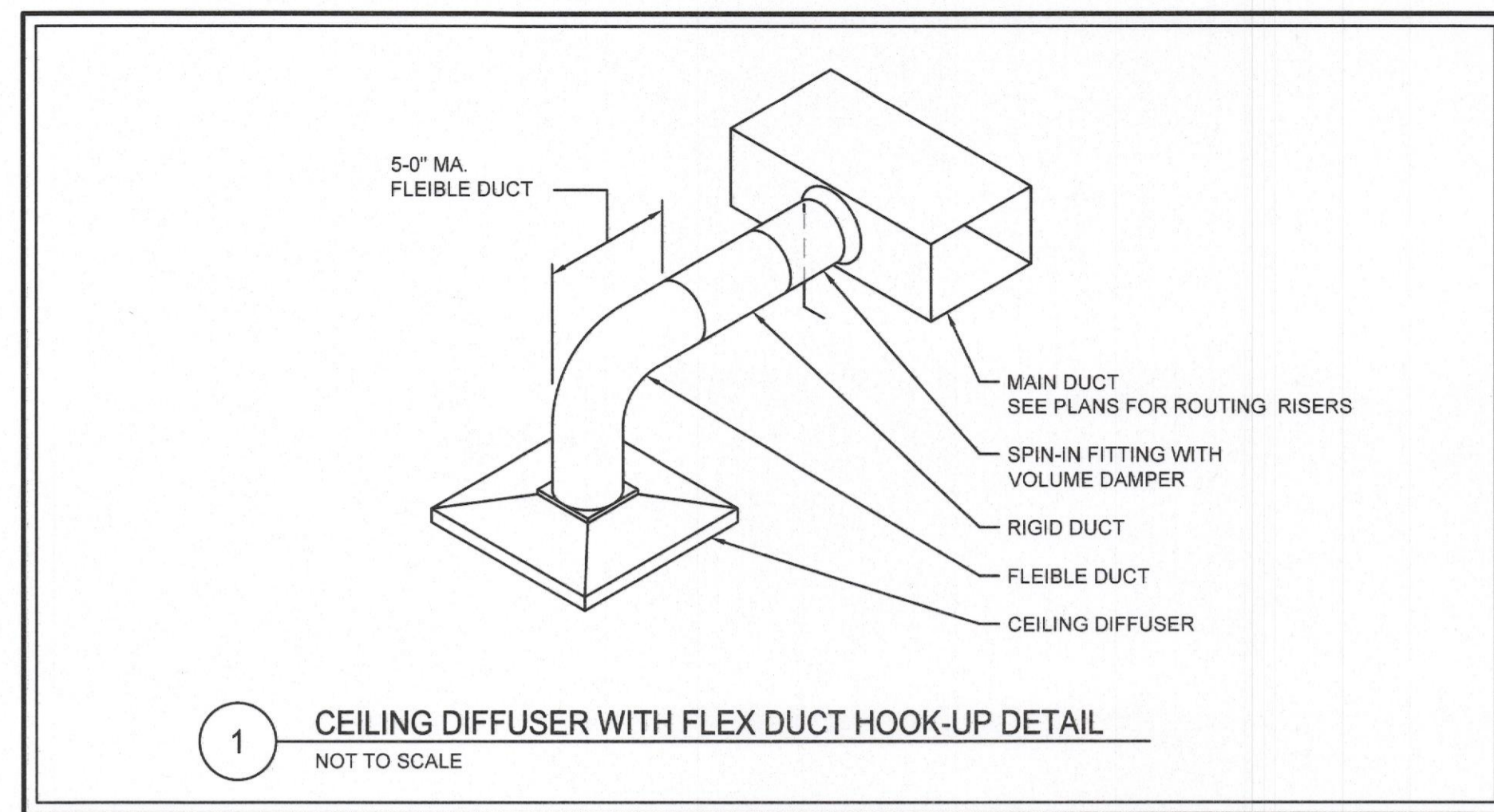
DRAWING DATE:  
01 APRIL 2017

DRAWN BY: MVM  
REVIEWED BY: MGH

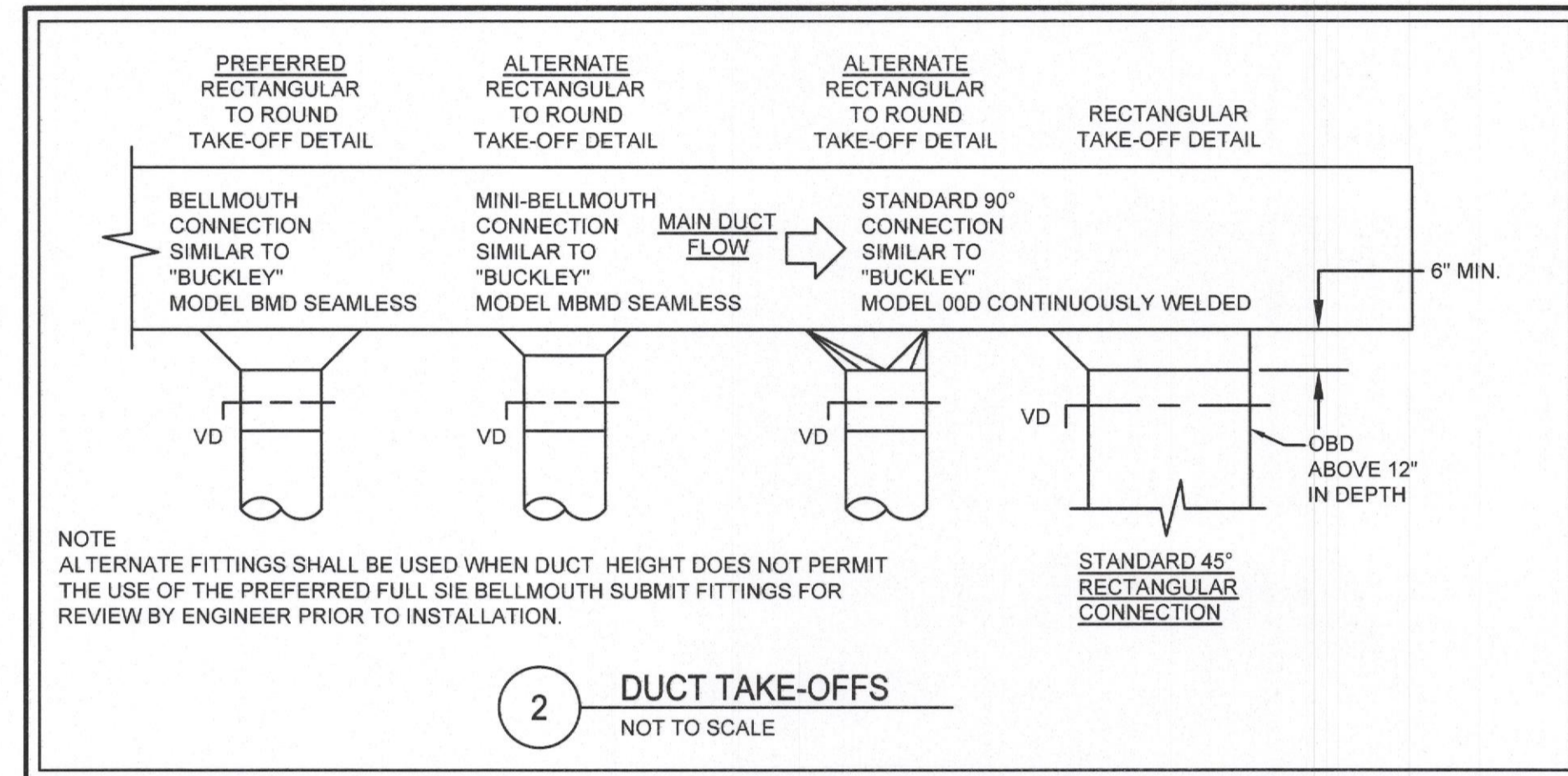
PROJECT #  
2889  
SHEET #

**M-301**

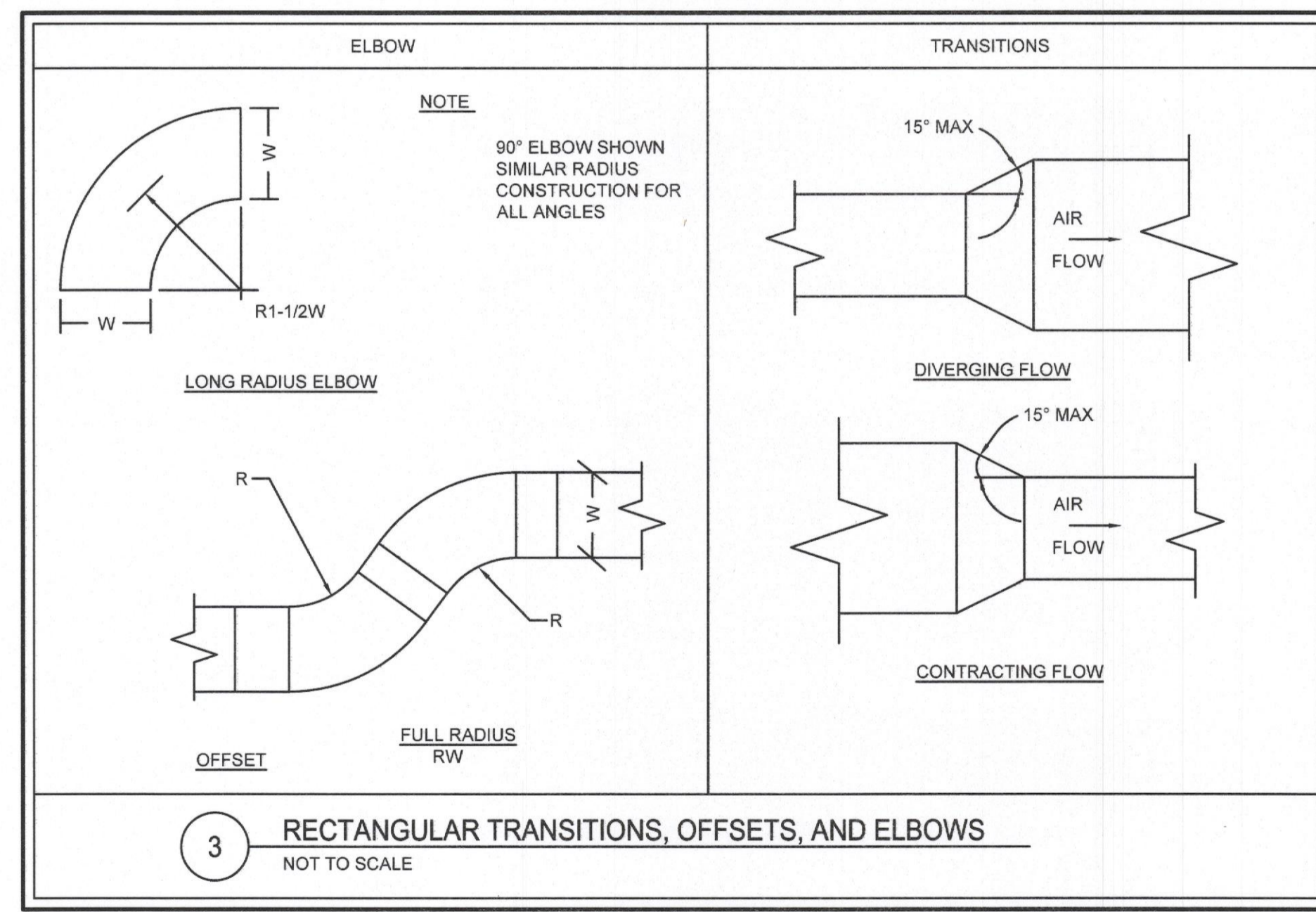
FILE NAME:  
2889 - M-01 .dwg



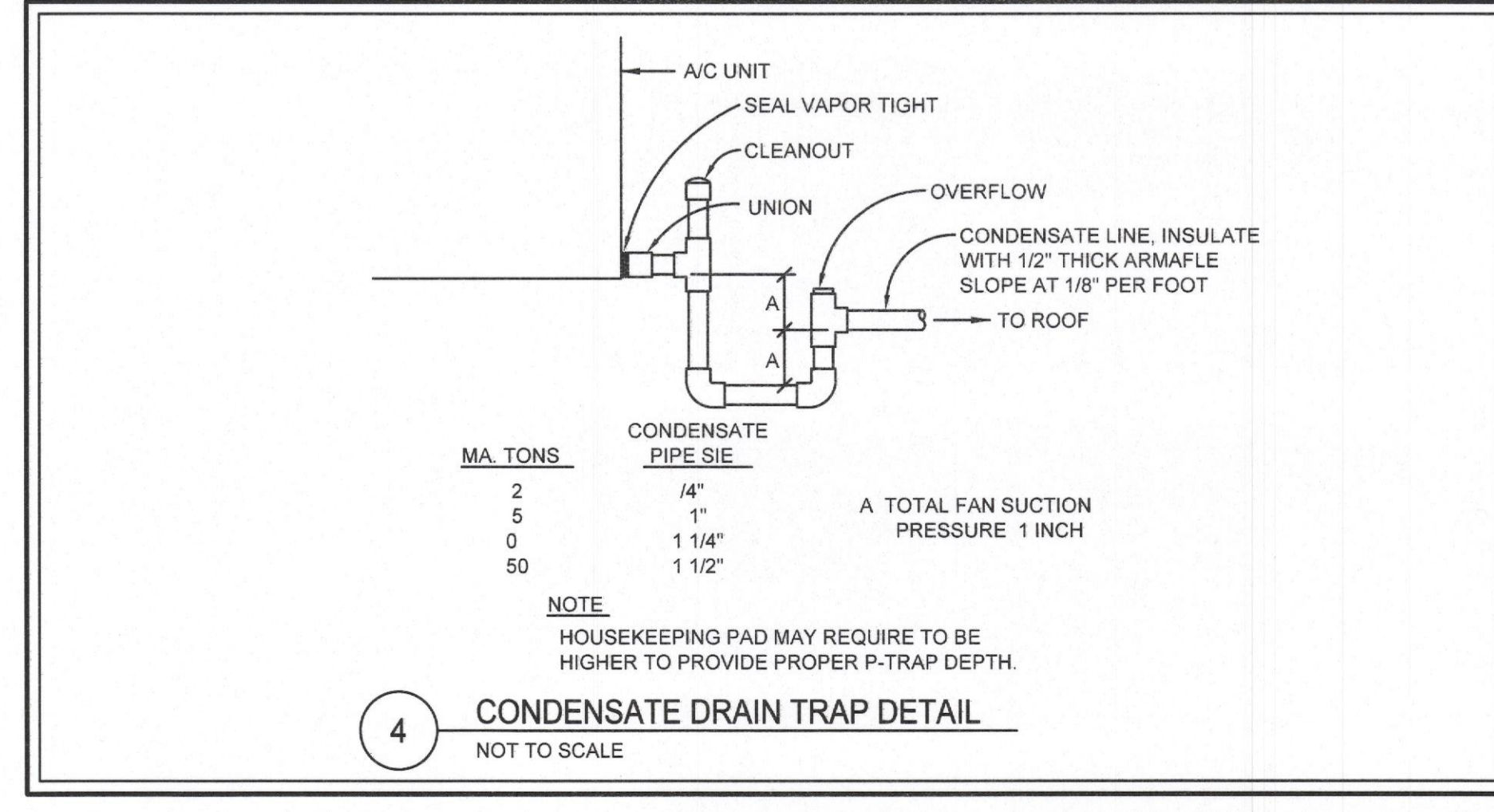
**1** CEILING DIFFUSER WITH FLEX DUCT HOOK-UP DETAIL  
NOT TO SCALE



**2** DUCT TAKE-OFFS  
NOT TO SCALE



**3** RECTANGULAR TRANSITIONS, OFFSETS, AND ELBOWS  
NOT TO SCALE



**4** CONDENSATE DRAIN TRAP DETAIL  
NOT TO SCALE