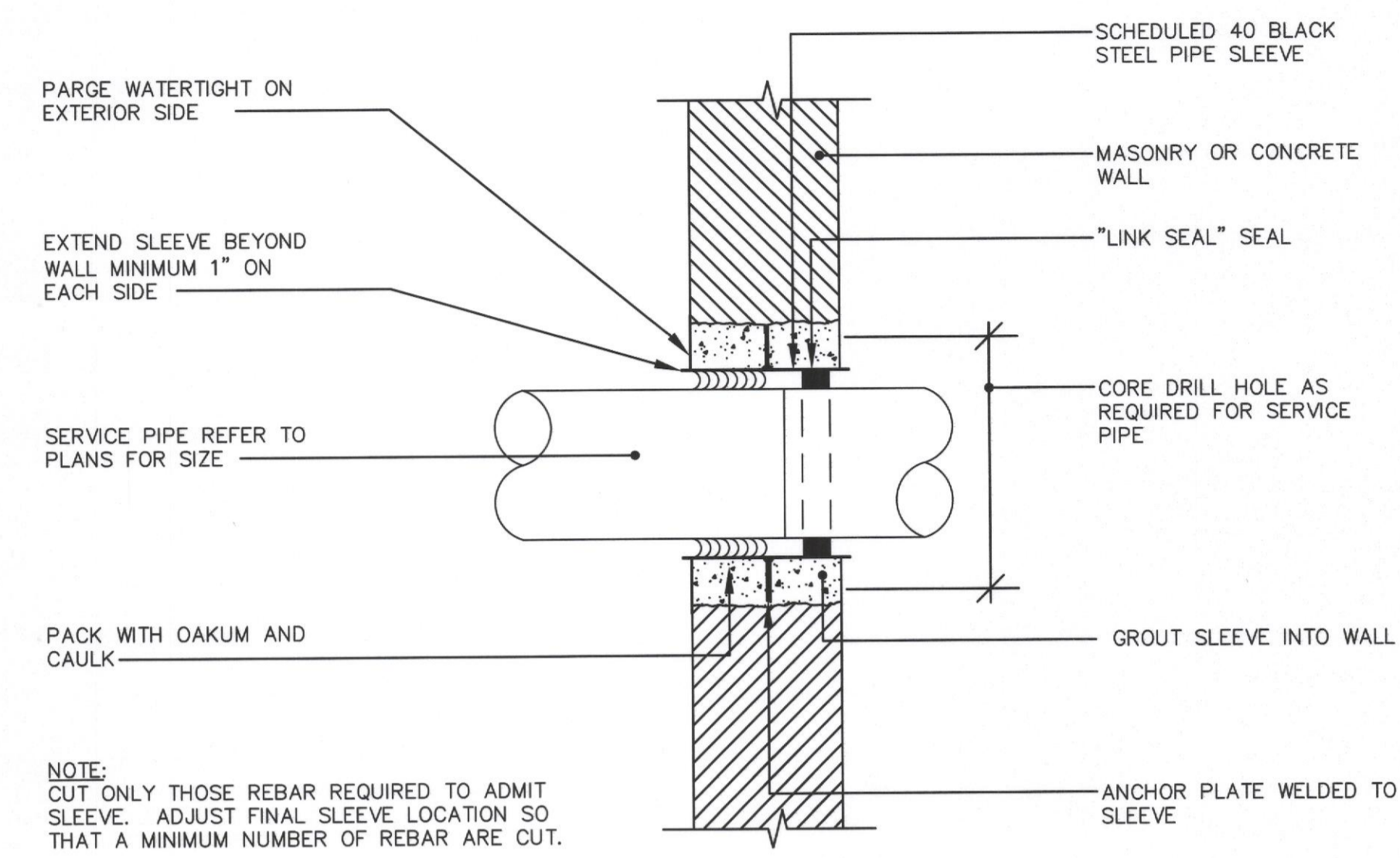
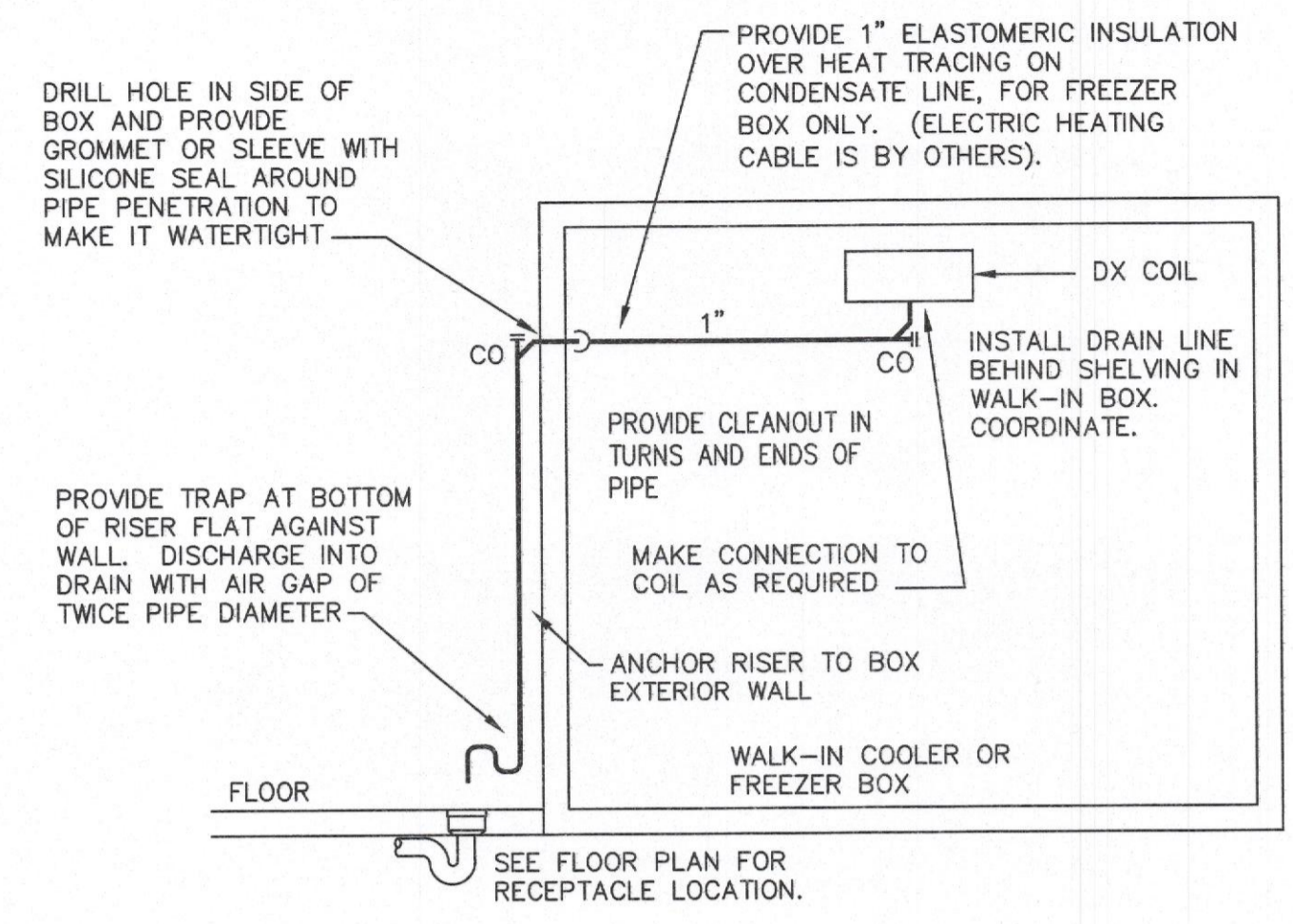


1 PIPE HANGER DETAIL
S NONE

- NOTES:**
- HANGER SPACING SHALL BE IN ACCORDANCE WITH THE PROJECT SPECIFICATIONS.
 - CLEVIS TYPE PIPE HANGERS SHALL BE USED FOR PIPE SIZES 10" AND SMALLER AND WHEN PIPING SYSTEMS ARE STATIONARY.
 - ALL PIPE HANGERS IN ALL BASEMENT MECHANICAL ROOMS AND ALL PENTHOUSES SHALL HAVE VIBRATION ISOLATION.

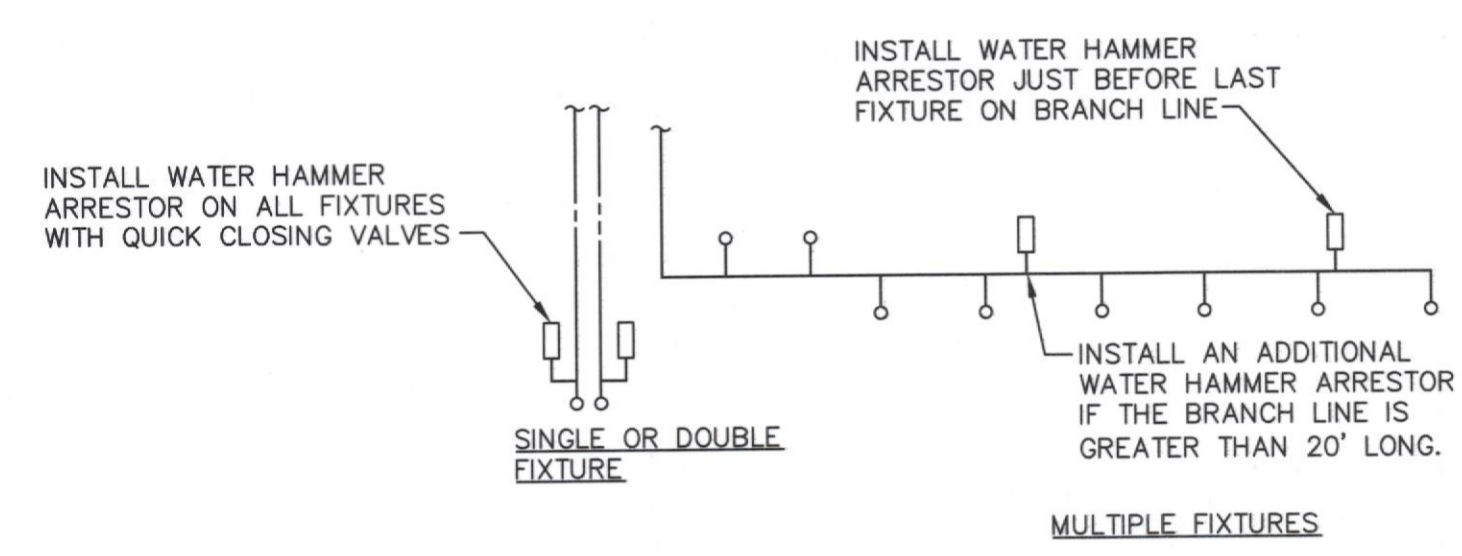


2 PIPE SLEEVE IN ETERIOR DETAIL
S NONE



3 CONDENSATE DRAIN WALK-IN BO DETAIL
S NONE

- COMMENTS:**
- INSTALL PIPE HIGH AS POSSIBLE, ANCHORED TO WALL OF BOX WITH SUPPORTS AT MAXIMUM SIX FOOT CENTERS. USE TYPE "M" HARD COPPER TUBE AND FITTINGS WITH LEAD-FREE SOLDER JOINTS. SLOPE HORIZONTAL PIPE AT MINIMUM TWO PERCENT. PROVIDE CHROMATONE PAINT ON PIPE EXTERIOR TO BOX. REFER TO "INDIRECT DRAIN" DETAIL FOR OTHER REQUIREMENTS.

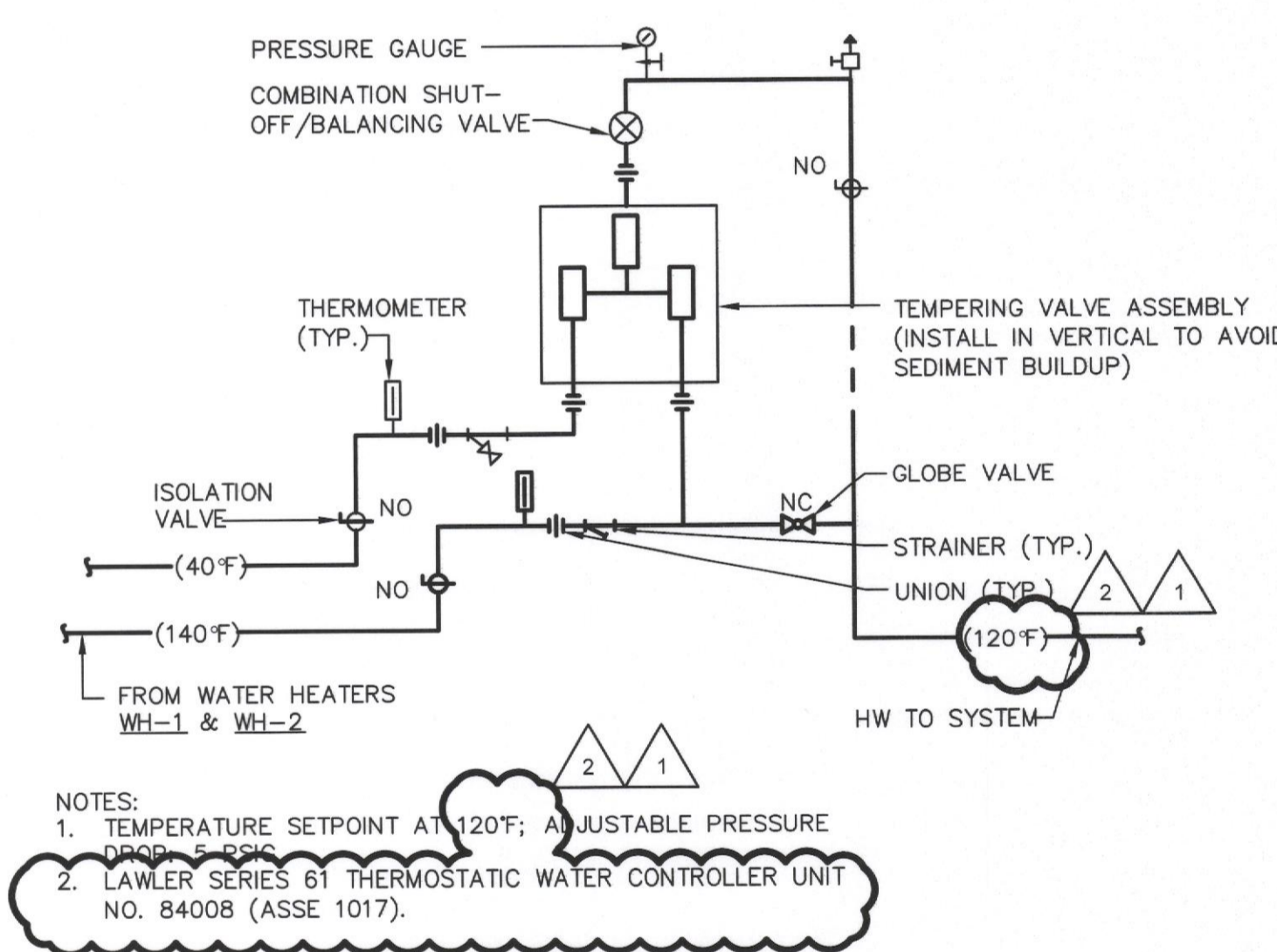


4 WATER HAMMER ARRESTER DETAIL
S NONE

- COMMENTS:**
- WATER HAMMER ARRESTERS SHALL BE HAVE PISTON AND O-RING CONSTRUCTION WITH PDI #WH-201, ASSE # 1010 AND ANSI # A112.26.1M CERTIFICATION. INSTALL IN HORIZONTAL OR VERTICAL POSITION, BUT NEVER UPSIDE DOWN. SIZE THE UNITS AS SHOWN PER THE TABLES SHOWN ABOVE.

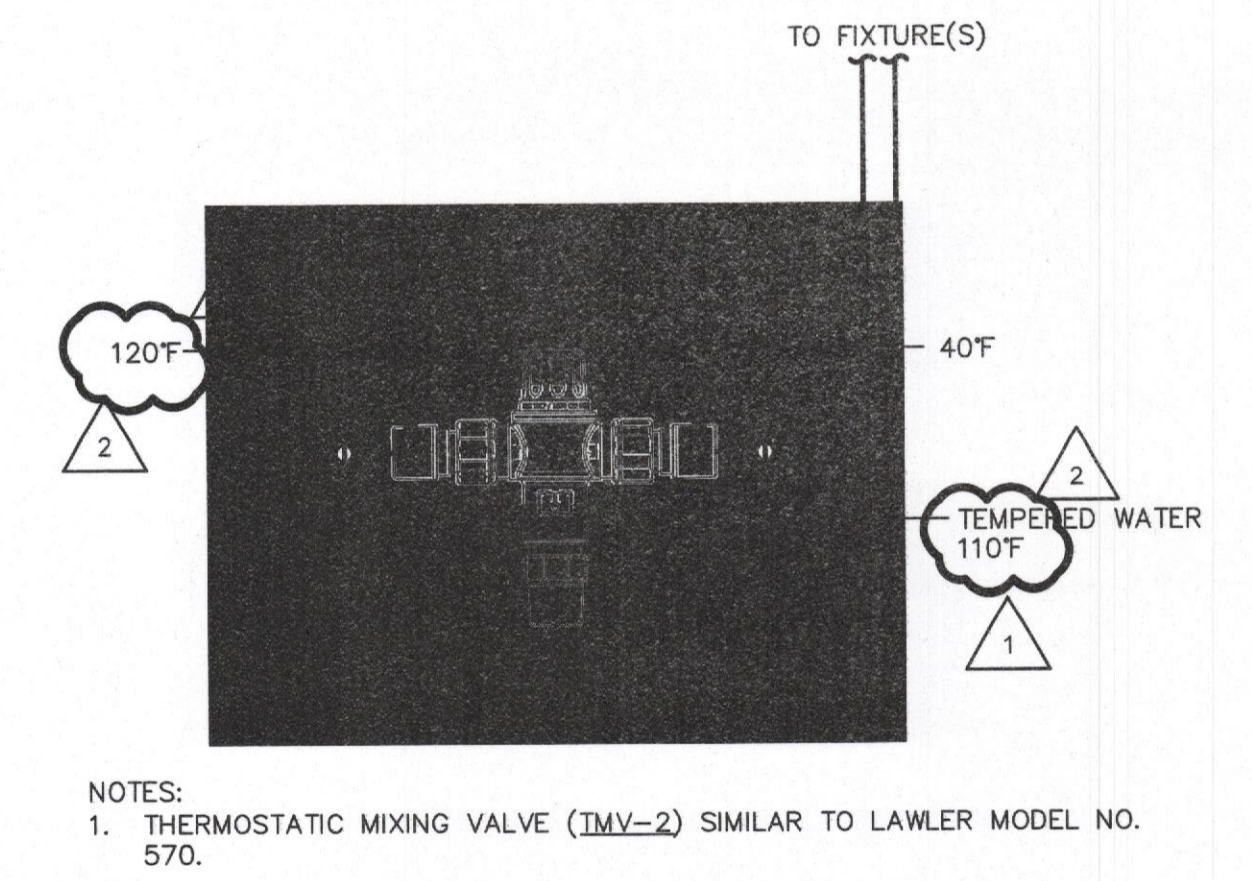
PDI SIZE	PIPE SIZE	FIXTURE UNIT LOAD
A	1/2"	1-11
B	3/4"	12-32
C	1"	33-60
D	1-1/4"	61-113
E	1-1/2"	114-154
F	2"	154-330

WATER SUPPLY FIXTURE UNIT (WSFU)		
FIXTURE	COLD	HOT
VALVE WATER CLOSET	10	--
URINAL	5	--
LAVATORY/SINK	1.5	1.5
JANITOR'S SINK	2.25	2.25
DISHWASHER	--	11



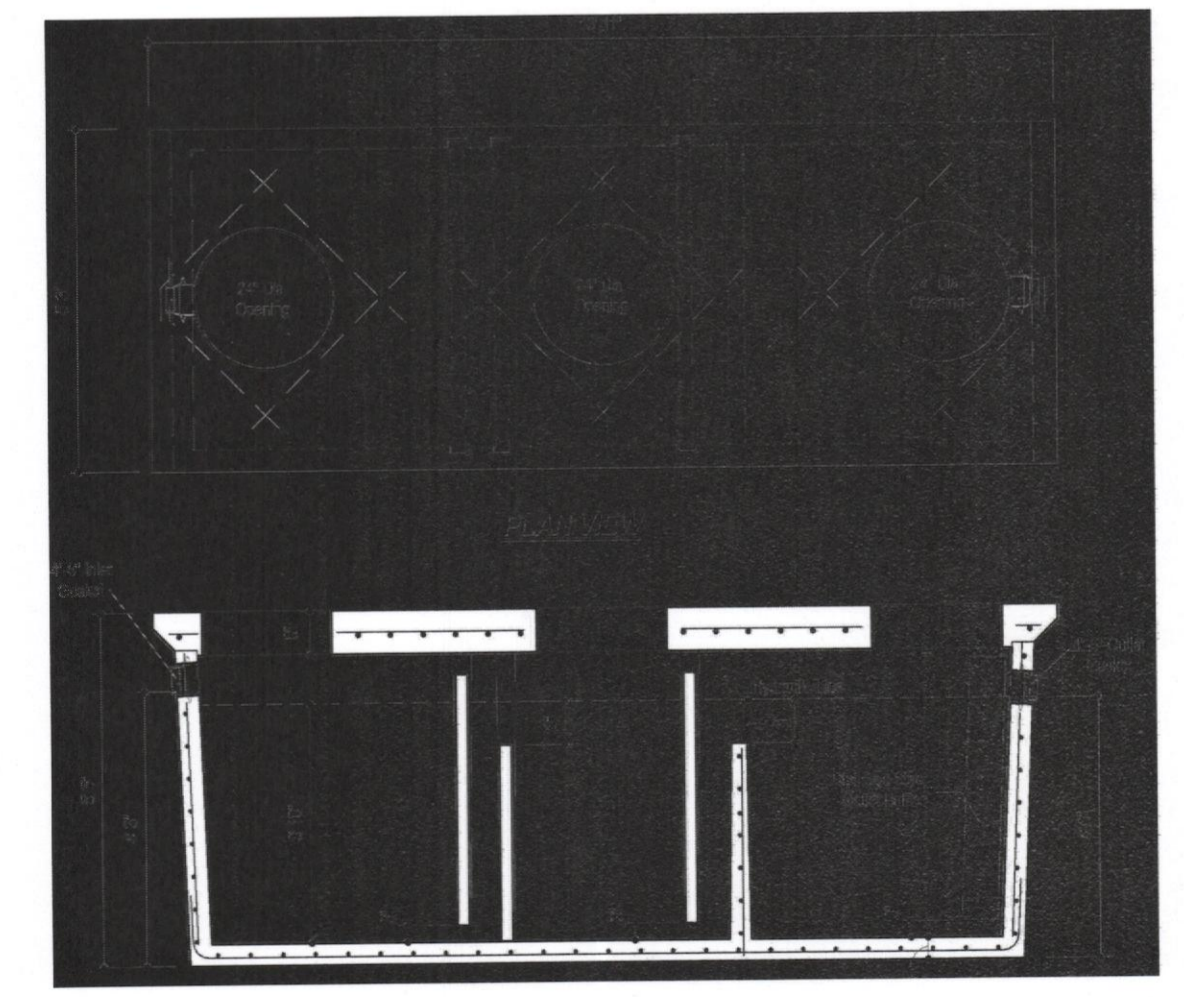
5 THERMOSTATIC MIING VALVE TMV-1 DETAIL
S NONE

- NOTES:**
- TEMPERATURE SETPOINT AT 120F; ADJUSTABLE PRESSURE DROP: 5 PSIG
 - LAWLER SERIES 61 THERMOSTATIC WATER CONTROLLER UNIT NO. 84008 (ASSE 1017).



6 POINT OF USE THERMOSTATIC MIING VALVE TMV-2 DETAIL
S NONE

- NOTES:**
- THERMOSTATIC MIXING VALVE (TMV-2) SIMILAR TO LAWLER MODEL NO. 570.



BASIS OF DFU		
DFU	QTY	SUB-TOTAL DFU
4" TRAP	6	6
" TRAP	5	40
MOP BASIN	1	
SINK	2	4
TOTAL DFU		55 DFU

7 GREASE INTERCEPTOR DETAIL
1600 GALLON - HEAVY TRAFFIC RATED
S NONE



REV #	ISSUE / DESCRIPTION	DATE
1	OWNER COMMENTS	09/01/17
2	OWNER COMMENTS	07/01/17

SHEET TITLE:
PLUMBING - DETAILS

DRAWING DATE:
01 APRIL 2017
DRAWN BY: MVM
REVIEWED BY: MGH
PROJECT # 2889
SHEET #

P-302

FILE NAME:
2889 - P-302.dwg