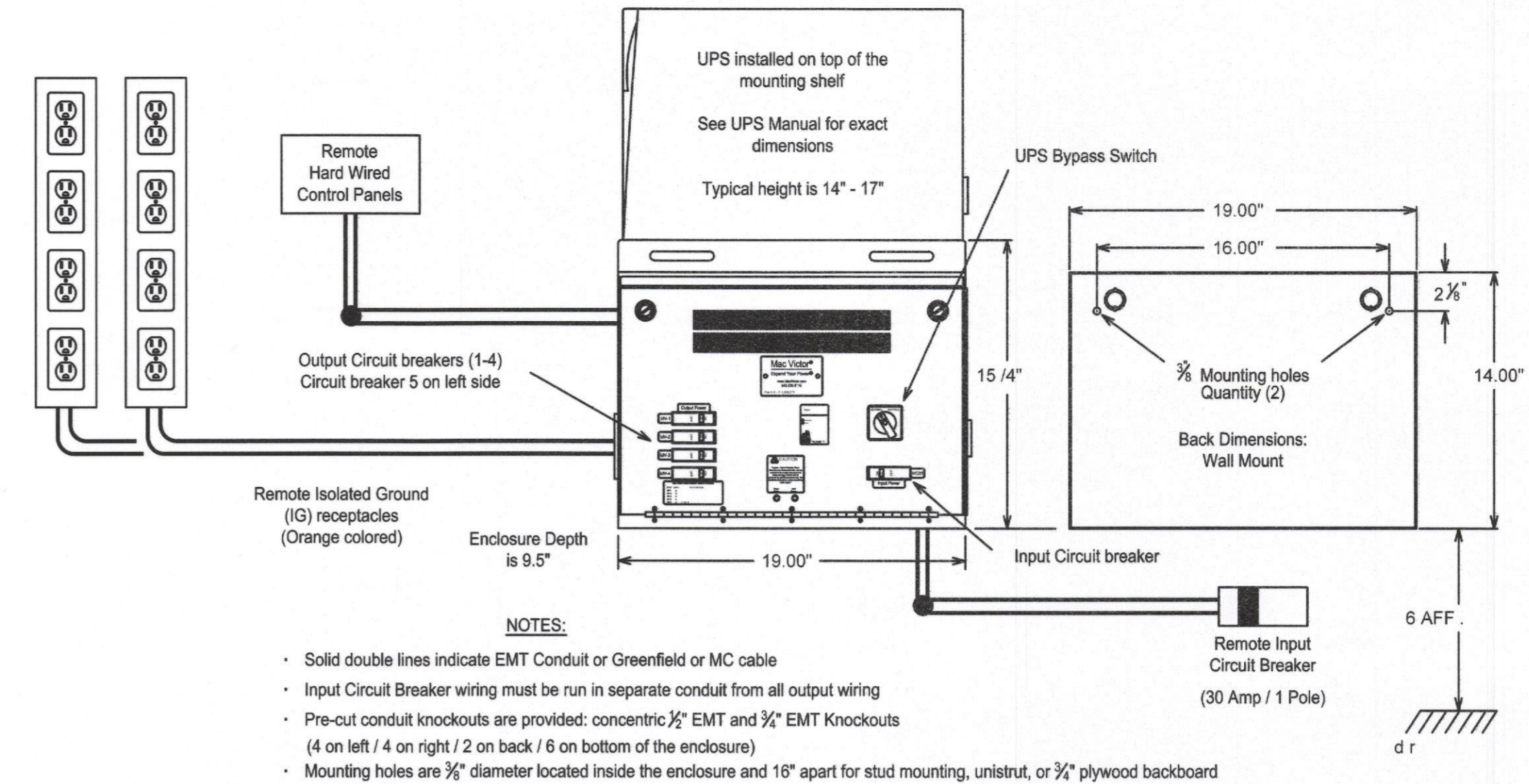
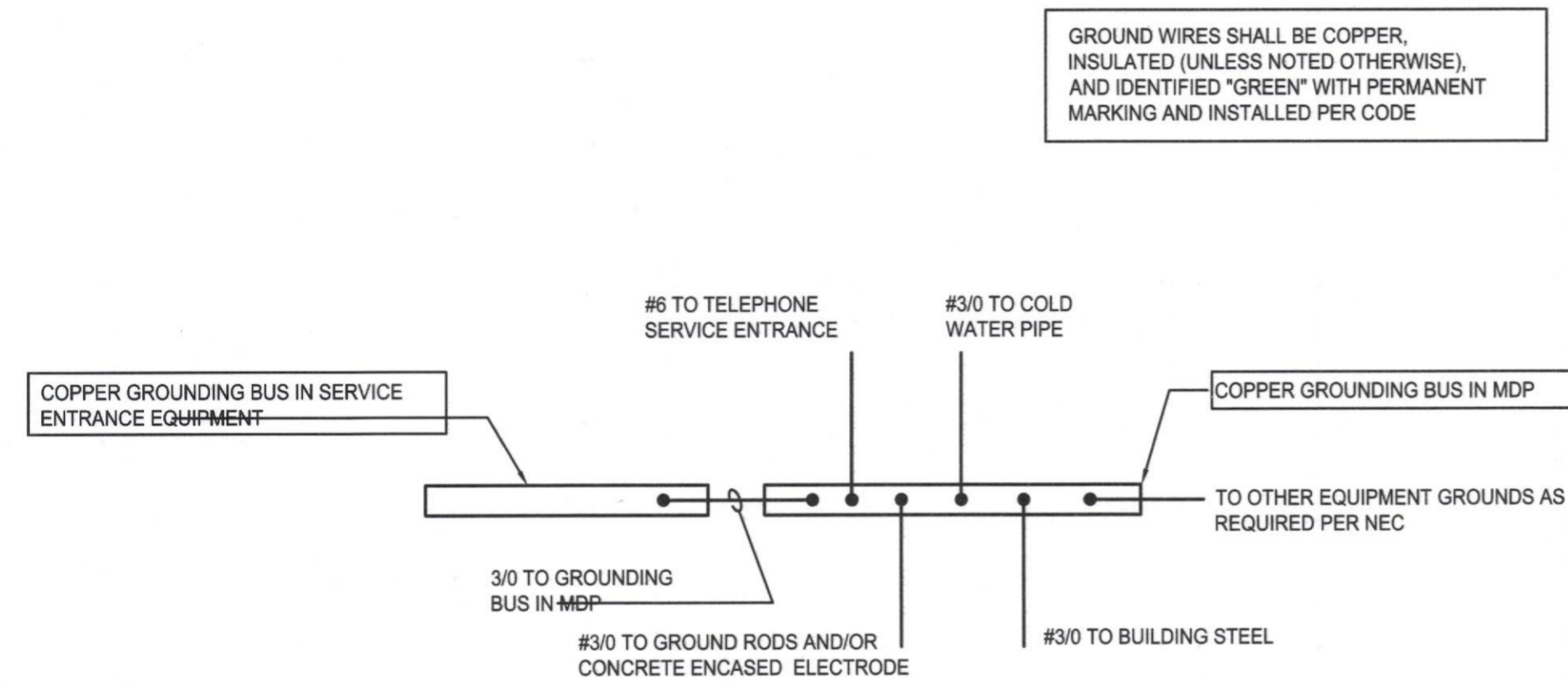


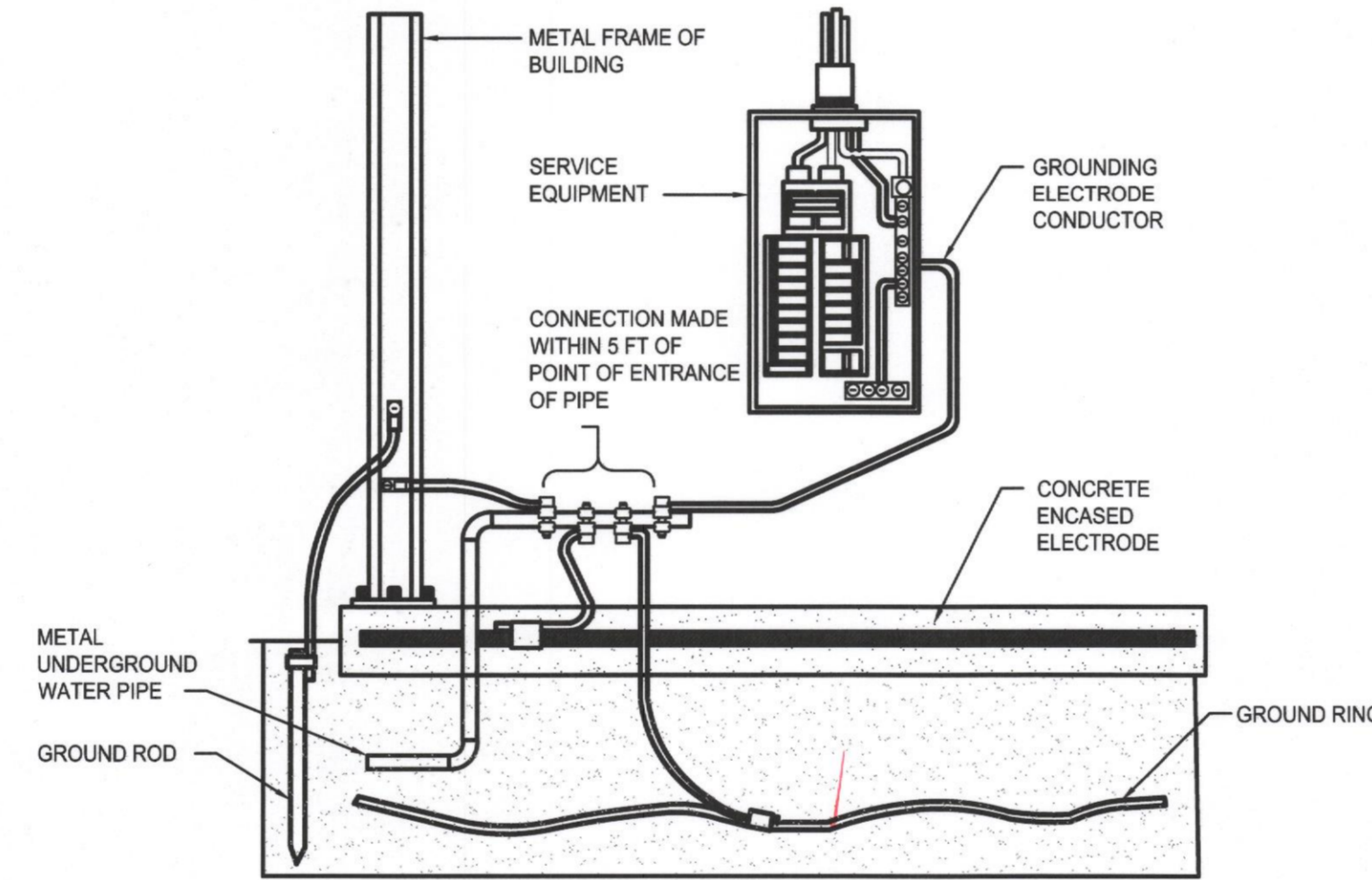
1 MAC VICTOR POWER "PANEL MV" WIRING DIAGRAM  
 S NONE



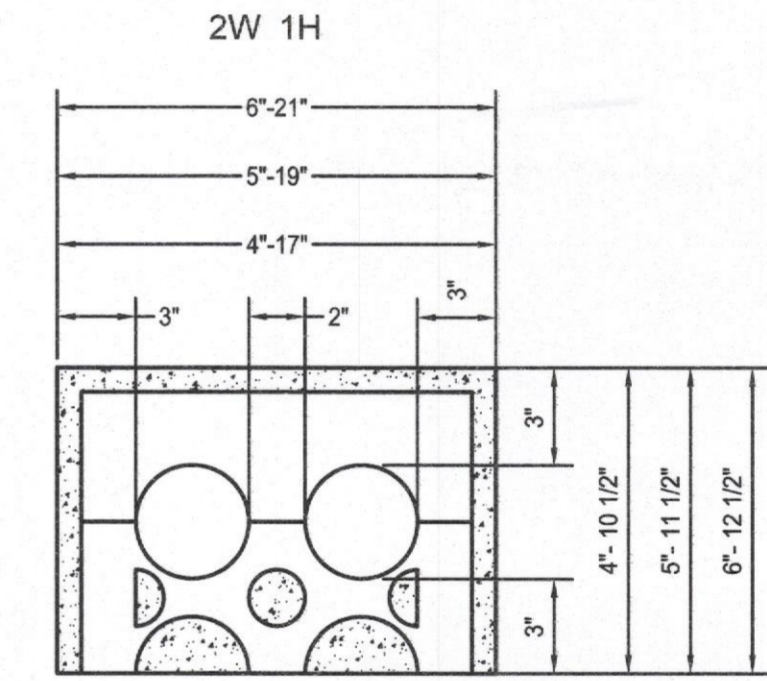
2 MAC VICTOR POWER "PANEL MV" AND UPS BATTERY ELEVATION DETAIL  
 S NONE



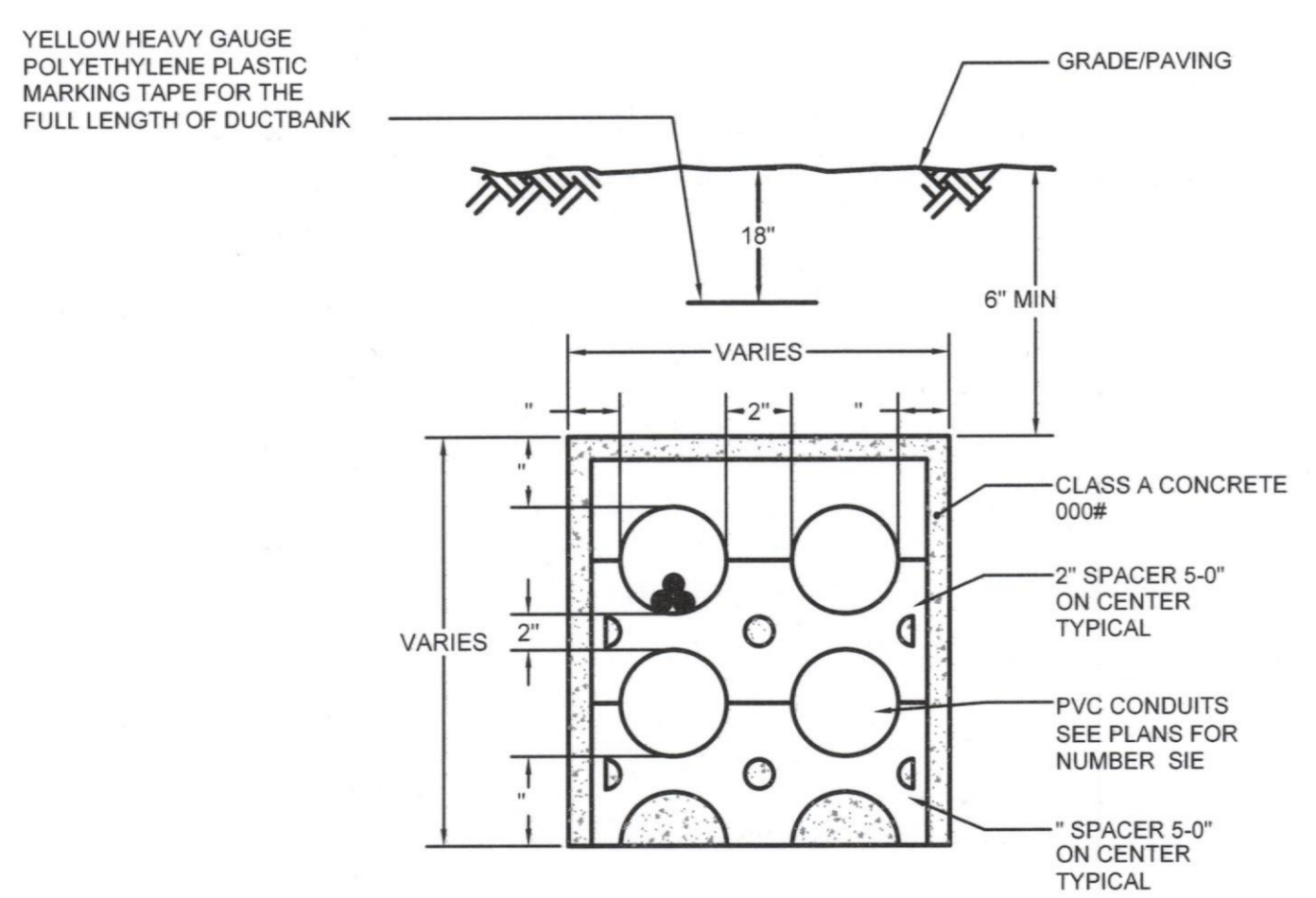
3 GROUNDING CONDUCTORS AT SERVICE ENTRANCE  
 S N.T.S.



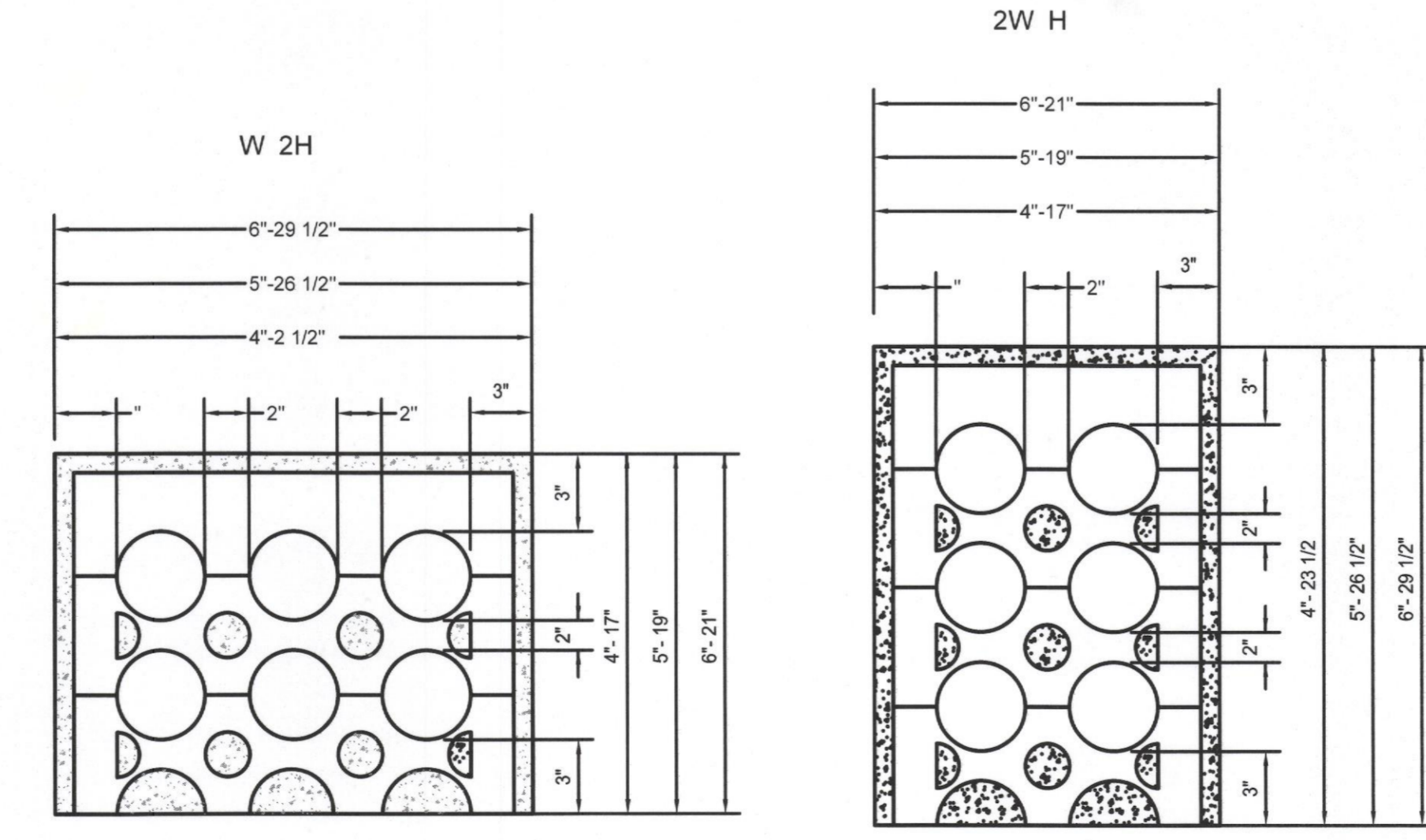
4 GROUNDING ELECTRODE SYSTEM  
 S N.T.S.



5 2-WAY DIRECT CONCRETE ENCASED ARRANGEMENT/INSTALLATION DIMENSIONS  
 S N.T.S.



6 TYPICAL CONCRETE DUCTBANK SECTION  
 S N.T.S.



7 6-WAY DIRECT CONCRETE ENCASED ARRANGEMENT/INSTALLATION DIMENSIONS  
 S N.T.S.

**CONCRETE ENCASED ELECTRIC CONDUIT**

- DUCT BANKS MUST BE CONCRETE ENCASED IF ANY DUCTS ARE STACKED VERTICALLY (ONE ON TOP OF THE OTHER). ALL 2x2 DUCT BANKS AND GREATER MUST BE CONCRETE ENCASED.
- IF DUCTS ARE WITHIN MUNICIPALITY RIGHT-OF-WAY, IT MAY BE REQUIRED TO CONCRETE-ENCASED. CHECK WITH LOCAL DEPARTMENT OF PUBLIC WORKS FOR SPECIFIC REQUIREMENTS.
- CONFIRM THE NUMBER, SIZE AND CONFIGURATION OF DUCTS WITH CIVIL ENGINEERING PLANS.
- SCHEDULE 2 PVC MUST BE USED FOR CONCRETE ENCASED DUCTS.
- BENDS SHALL BE NO LESS THAN 36" RADIUS. A TOTAL OF (2) 90-DEGREE BENDS ARE ALLOWED IN THE CONDUIT LINE. IF THIS STILL WILL NOT BE SUFFICIENT FOR THE CONDUIT DESIGN/CONSTRUCTION, CONTACT YOUR BGE REPRESENTATIVE. A MANHOLE, SPLICE/PULL BOX OR HAND BOX MAY BE REQUIRED.
- DUCT SPACERS THAT MAINTAIN A 2" SEPARATION BETWEEN DUCTS ARE REQUIRED EVERY 6 1/2' TO 7'. REQUIRED DEPTH OF CONDUIT FROM FINAL GRADE TO TOP OF CONDUIT/CONDUIT BANK (UNLESS OTHERWISE APPROVED BY UTILITY COMPANY):
  - 30" FOR SECONDARY, MINIMUM
  - 36" FOR PRIMARY, MINIMUM
  - 48" MAXIMUM
- ONLY STANDARD 2,500-PSI READY-MIX CONCRETE WITH 1/2" PEA GRAVEL WILL BE APPROVED FOR ENCASEMENT.
- AFTER CONCRETE CURES FOR 24 HOURS, BACK FILL AROUND DUCT BANK WITH CLEAN SELECT SOIL AND MECHANICALLY TAMP IN 8" LIFTS.
- THE CUSTOMER SHALL PULL A MANDREL (1/2" SMALLER IN DIAMETER THAN THE CONDUIT AND 6' LONG) THROUGH EACH DUCT PRIOR TO UTILITY COMPANY'S CABLE INSTALLATION, FOLLOWED BY A PULLING LINE (1600 LB. MULE LINE PREFERRED), WHICH SHALL REMAIN IN EACH DUCT.

**m**

L2M  
 811 Crownwell Park Drive, Suite 113  
 Crownwell Business Park at BWI  
 Glen Burnie, Maryland 21061  
 L2M@l2m.com  
 410.863.1302  
 410.863.1308

**BR**  
 ENGINEERING SERVICES

502 MC Dr  
 S M  
 G Bt, Md 21081  
 P 410.761.9650  
 F 410.761.9650  
 www.br.com

**DASH IN**  
 STORE #079  
 QUARTERFIELD RD - SEVERN, MD

REV. #	ISSUE / DESCRIPTION	DATE

SHEET TITLE:  
**DETAIL SHEET - ELECTRICAL**

DRAWING DATE:  
 01 APRIL 2017

DRAWN BY:  
 MLK

REVIEWED BY:  
 BRT

PROJECT #  
 2889

SHEET #  
**E-201**

FILE NAME:  
 2889 - E-201.dwg