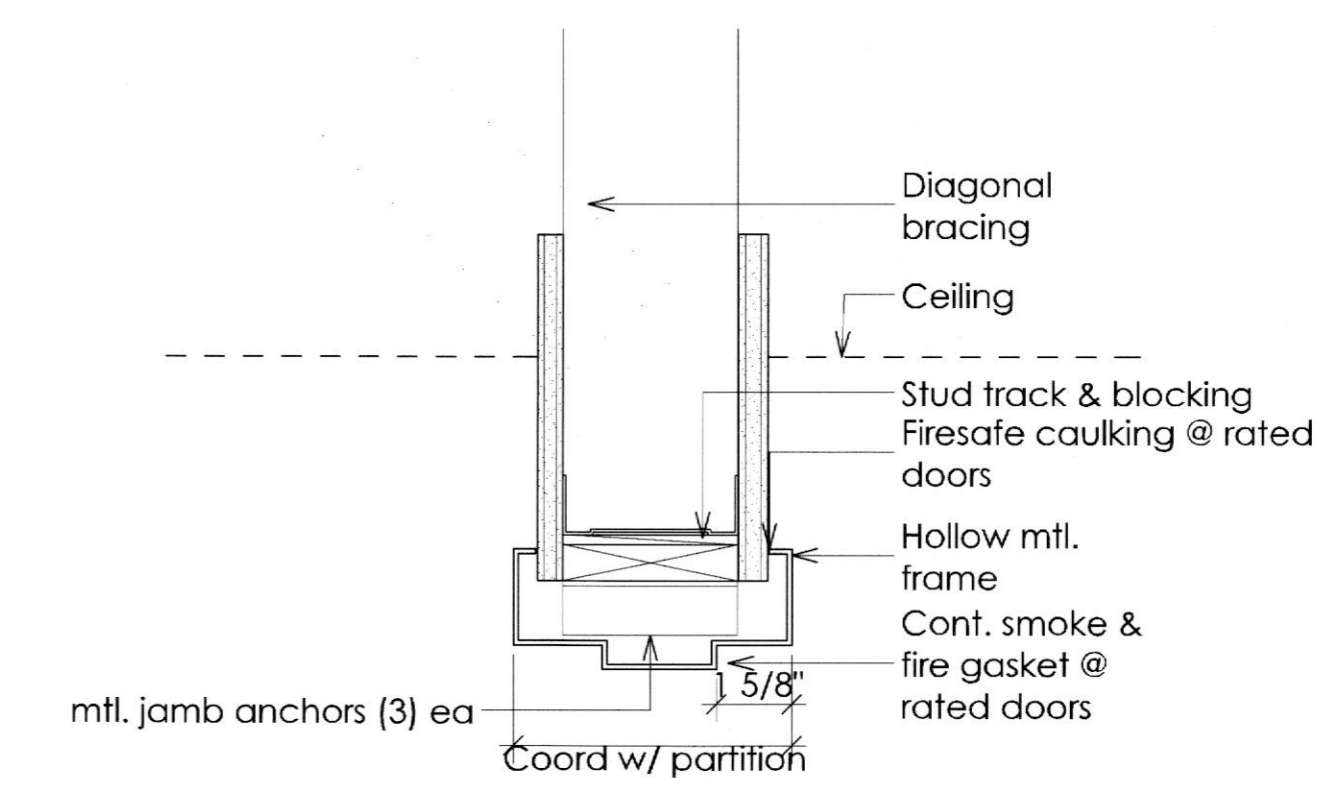


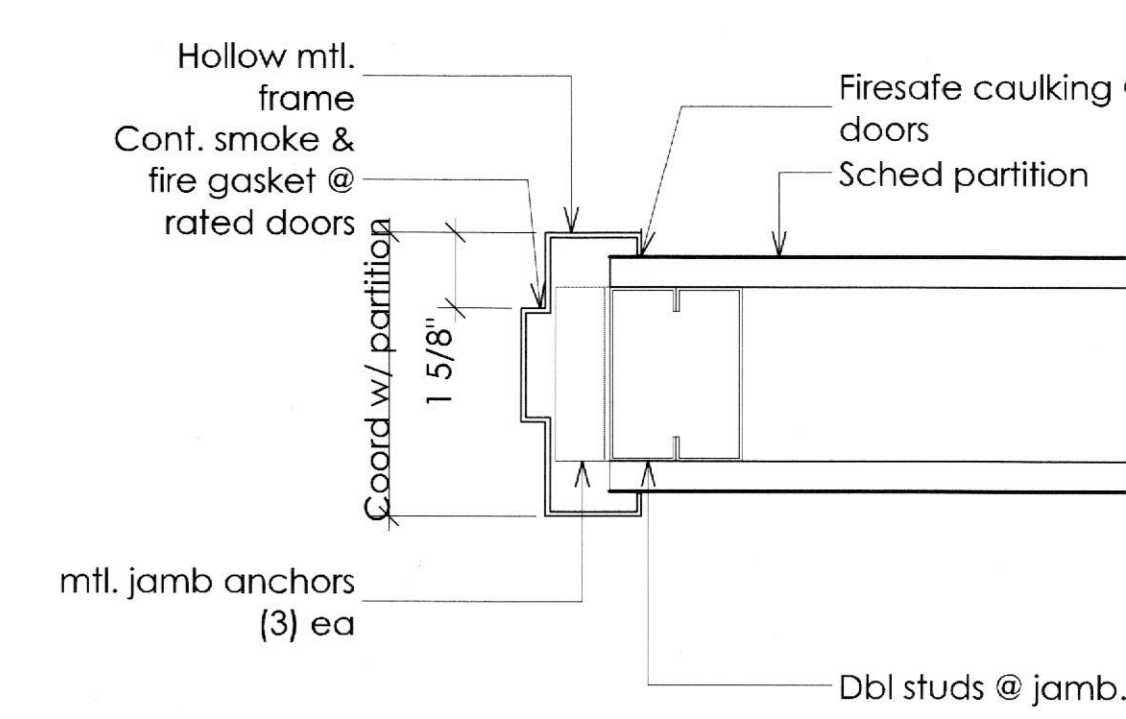
2 TYP WOOD FRAMED DOOR HEADER
 Scale: 3" = 1'-0"

1 TYP WOOD FRAMED DOOR JAMB
 Scale: 3" = 1'-0"

NOTE: Verify width of scheduled partition. Coord throat depth to fit scheduled partition.

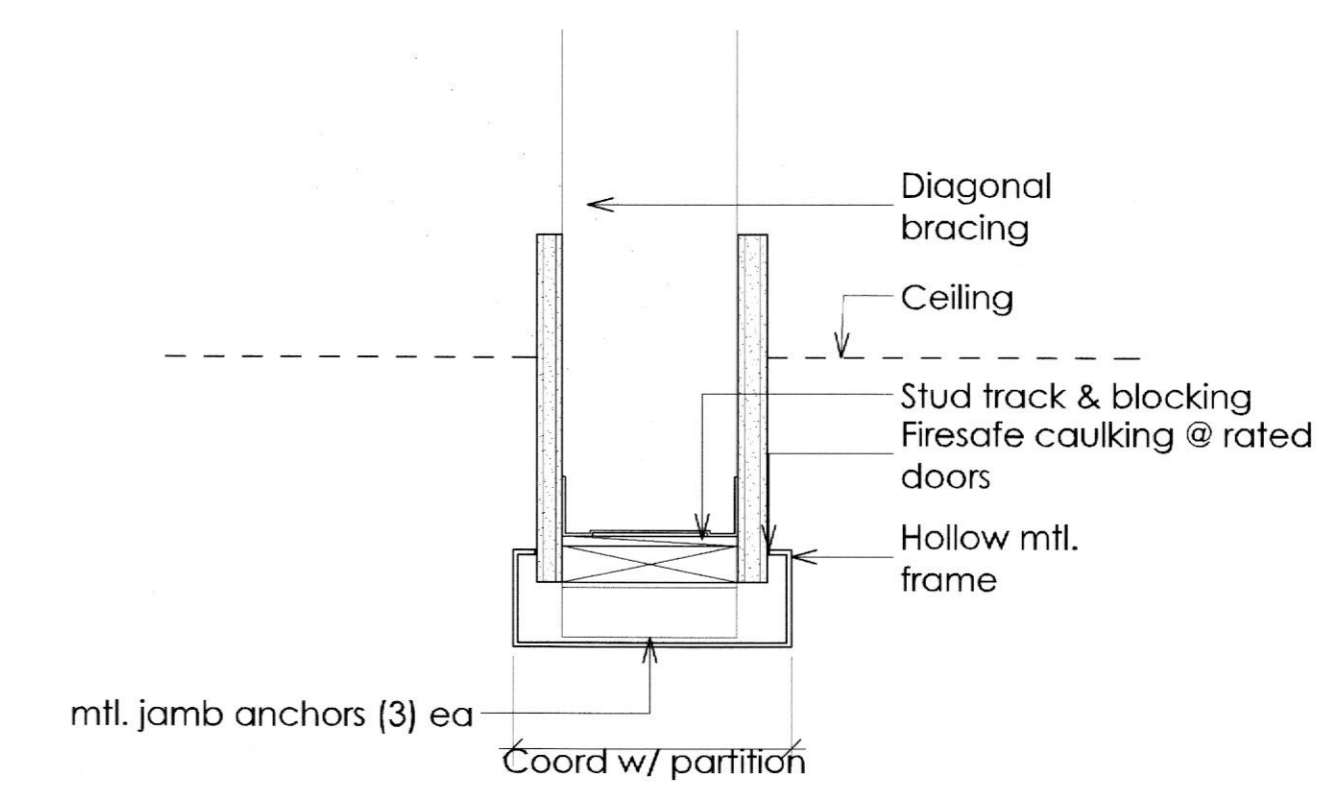


4 TYP HOLLOW METAL FRAME HEADER
 Scale: 3" = 1'-0"

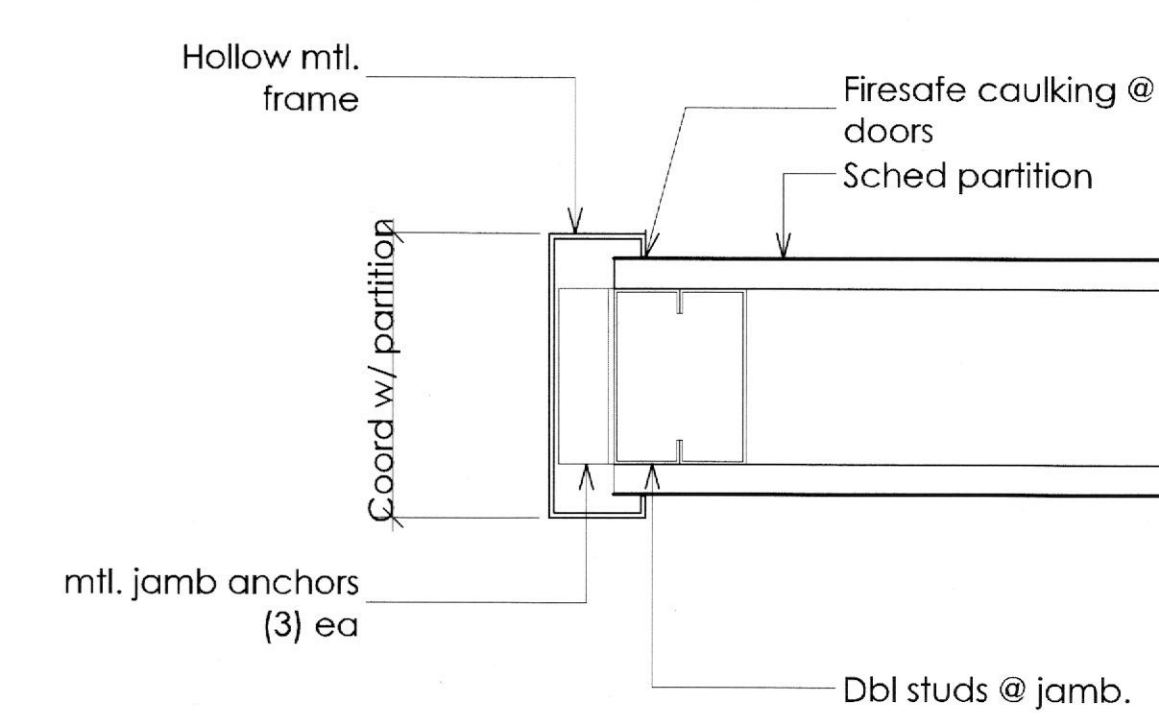


3 TYP HOLLOW METAL FRAME JAMB
 Scale: 3" = 1'-0"

NOTE: Verify width of scheduled partition. Coord throat depth to fit scheduled partition.



8 TYP DOUBLE ACTING DOOR HEADER
 Scale: 3" = 1'-0"



7 TYP DOUBLE ACTING DOOR JAMB
 Scale: 3" = 1'-0"

NOTE: Verify width of scheduled partition. Coord throat depth to fit scheduled partition.

ARCHITECT
 HapstakDemetriou +
 ARCHITECTURE | DESIGN
 2715 M STREET NW, 4th Floor
 WASHINGTON, DC 20007
 202.333.9038
 www.hd-ad.com info@hd-ad.com

CLIENT
 Alexanader Smith
 (410) 241-1224
 afsmith11@gmail.com


STRUCTURAL ENGINEER
 BEI Structural Engineers
 3930 Pender Dr. Suite175
 Fairfax, VA 22030

MEP ENGINEER
 J.B. Wyble and Associates, P.A.
 7950 Norfolk Ave. , Bethesda, MD
 301-654-1410

FOOD SERVICE CONSULTANT
 JLA Corp
 13031 US Highway 19N, Clearwater, FL 33764
 727-470-7862

OUZO BAY HOUSTON
 4444 WESTHEIMER RD, HOUSTON, TX 77027, SUITE 130

PROJECT NO. 17054



I CERTIFY THAT THESE DOCUMENTS WERE PREPARED OR APPROVED BY ME, AND THAT I AM A DULY LICENSED ARCHITECT UNDER THE LAWS OF TEXAS LICENSE NO. 26750 EXPIRATION DATE: 8/31/2018

REV	DATE	ISSUED FOR	REV	DATE	ISSUED FOR
	5/16/18	PROGRESS SET			
	6/20/18	PERMIT SET			

DOOR DETAIL

A0012

PRINTED: 6/21/18
 © HapstakDemetriou+