



18076069

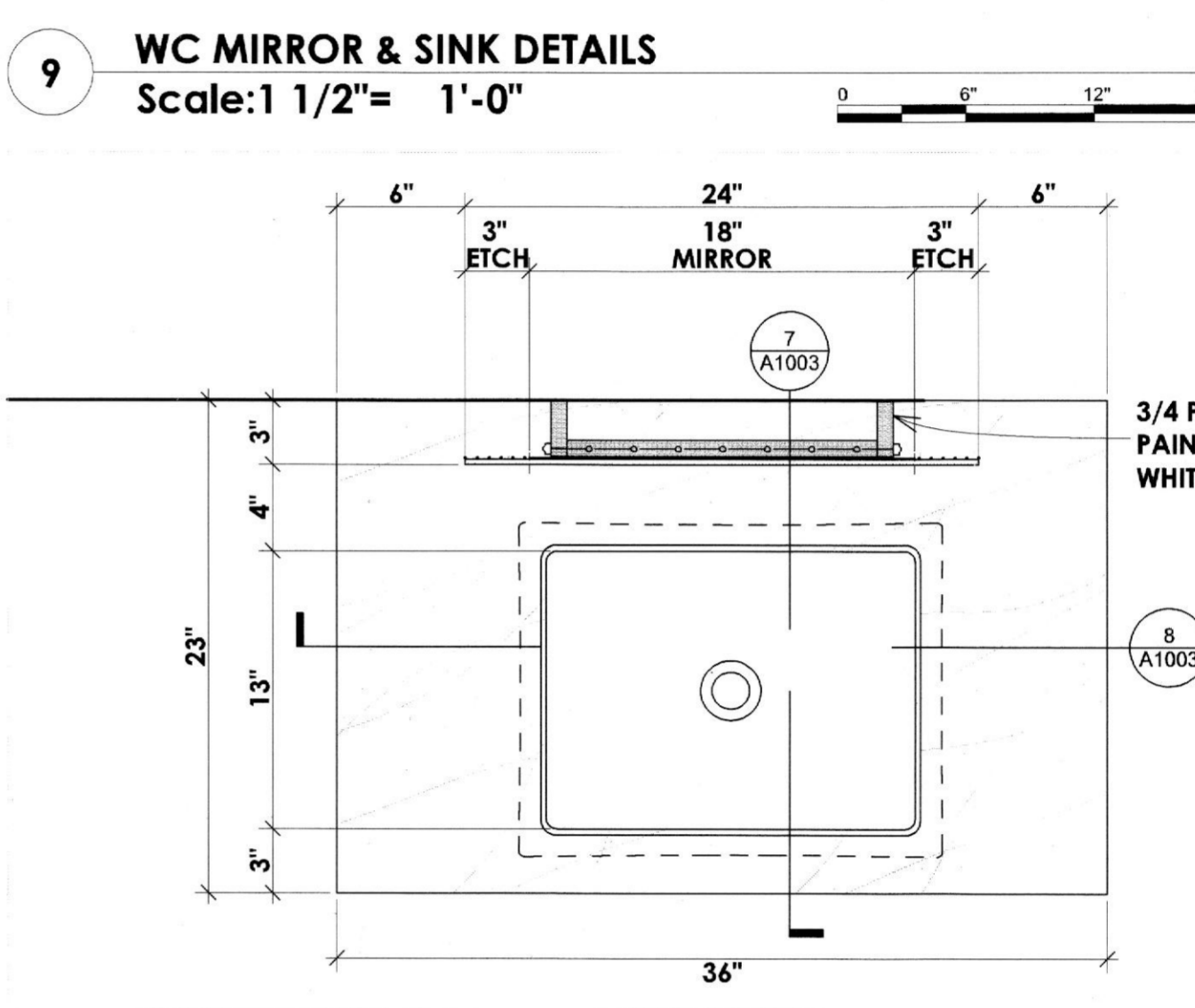
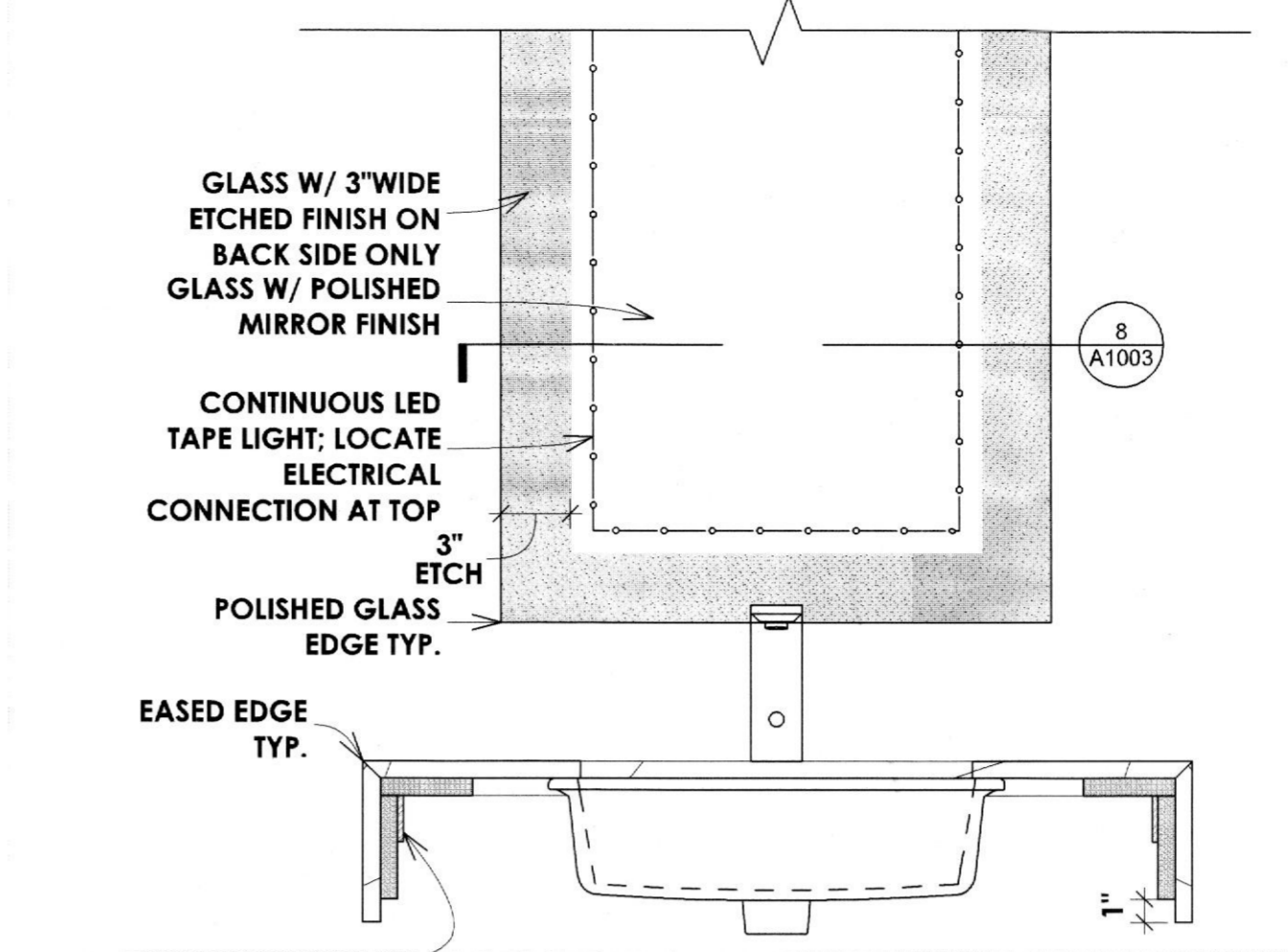
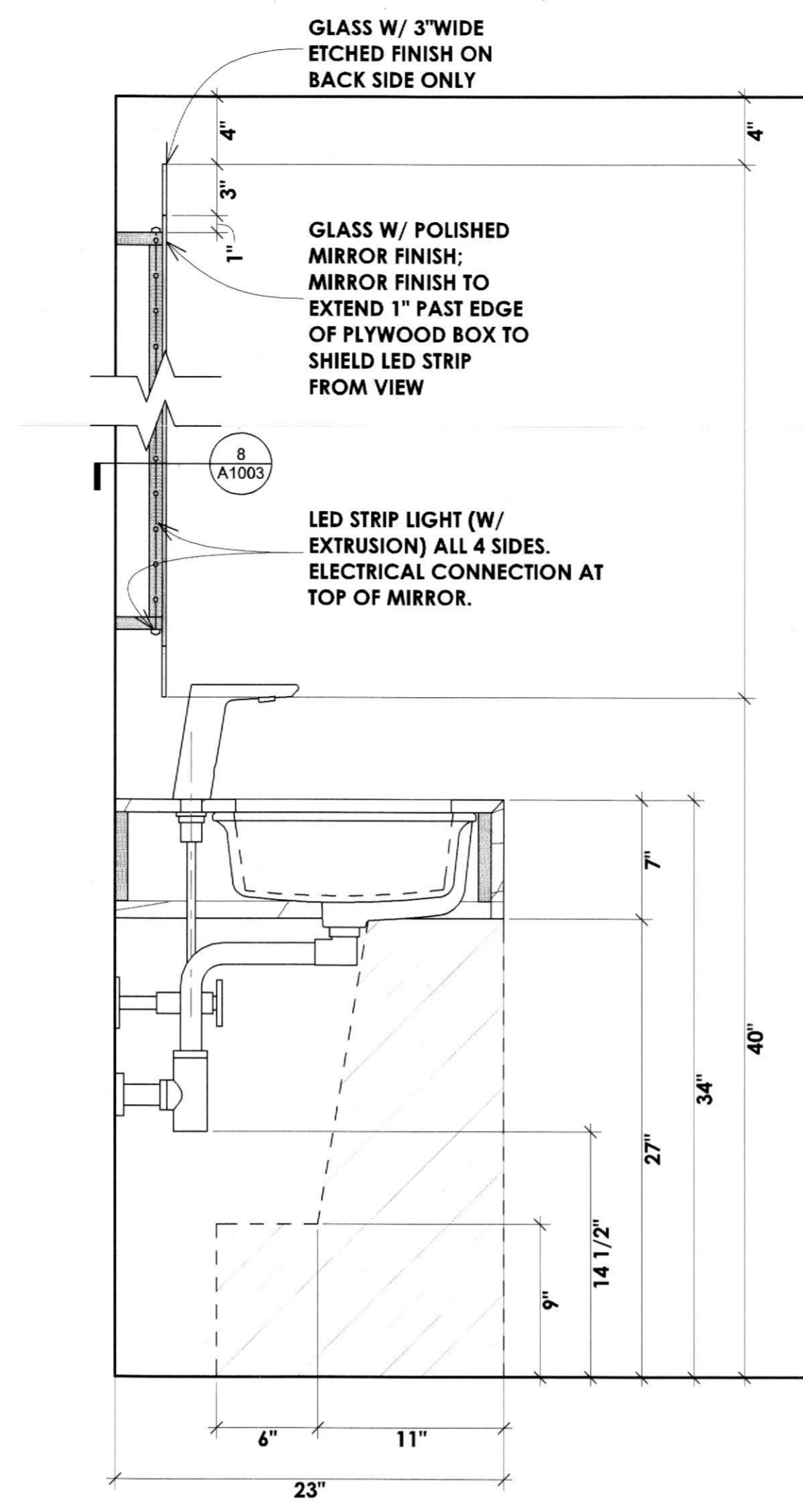
REVIEWED FOR COMPLIANCE

Performance of this review does not relieve the applicant from full responsibility to comply with all applicable codes, ordinances and regulations 10/29/18

13' (B.O. BEAM = 12'-3" ABOVE RAISED FLOOR)
8" FLY BEAM

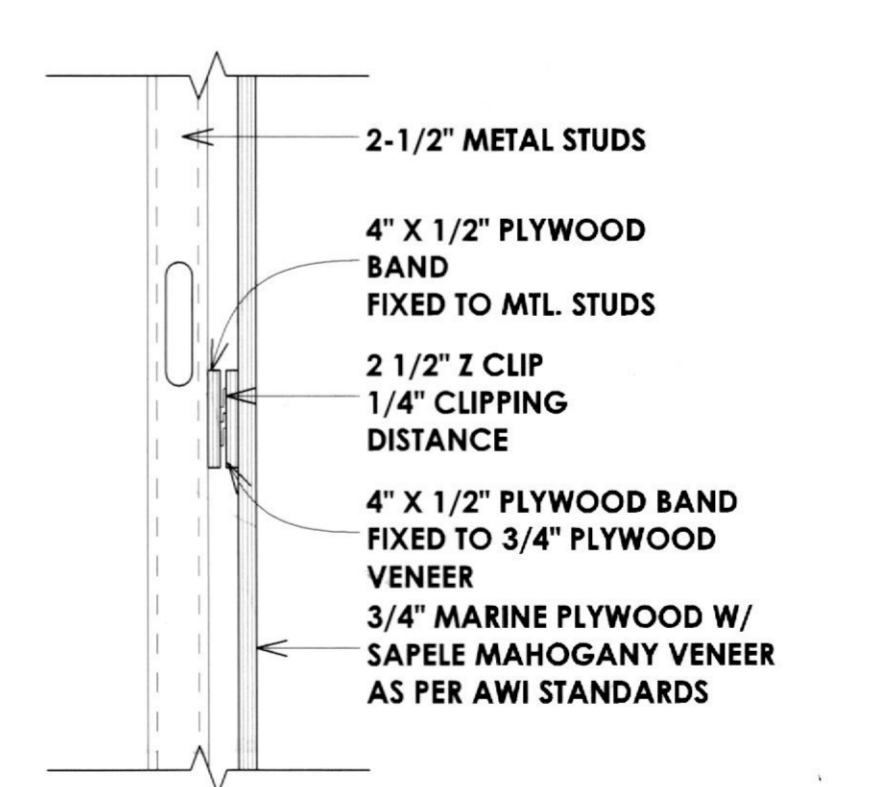
SCHED. LINEAR LED UP-LIGHTING
BLOCK CORNER SOLID
3/4" PLYWOOD W/ SCHED. WOOD VENEER
SHIM
5/8" TYPE X GWB SUBSTRATE

SEE STRUCTURAL DRAWINGS FOR NEW STEEL BEAM DETAILS
BLOCK AS REGD. TO ACHIEVE FINISHED DIMENSION

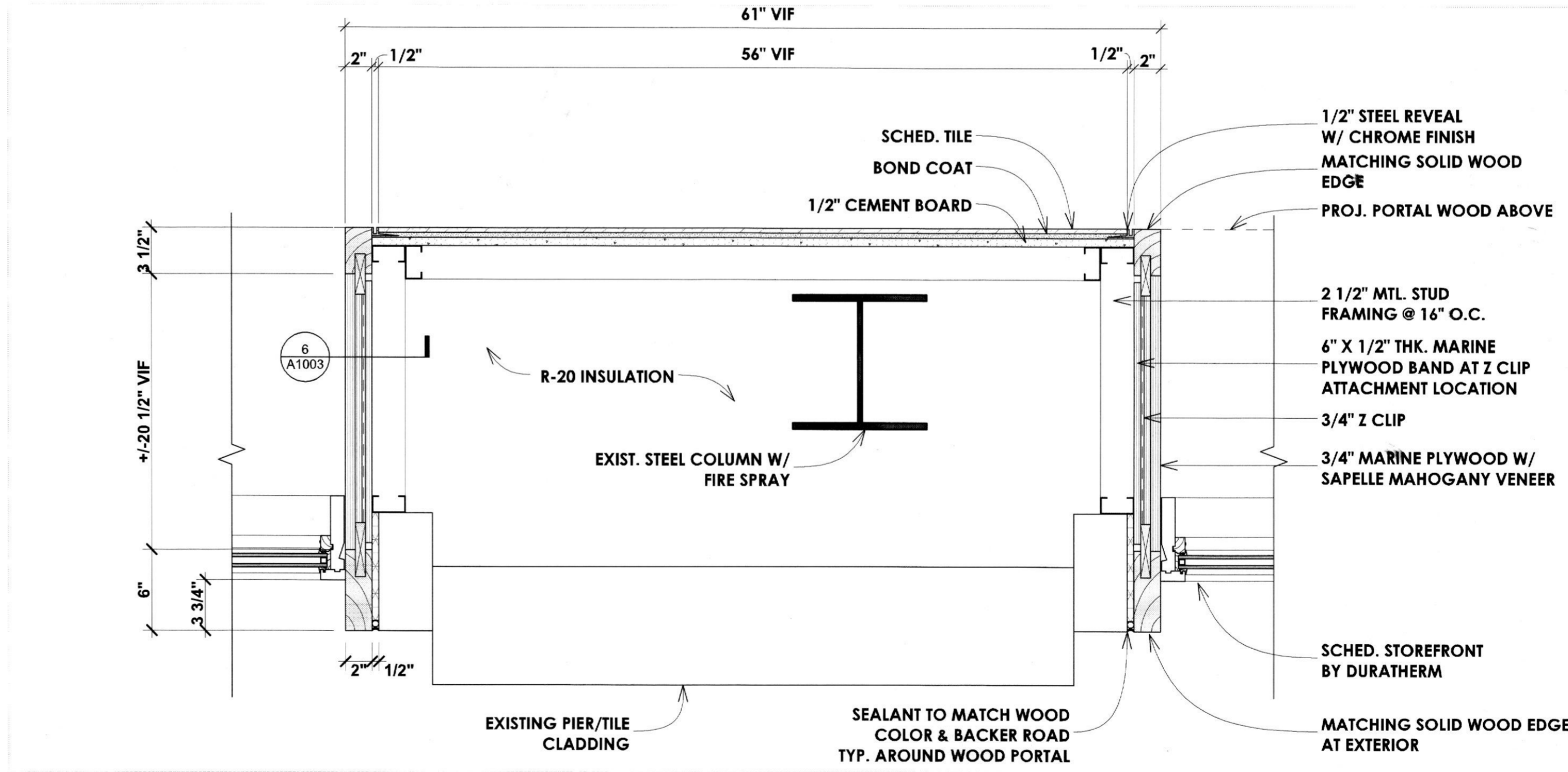


7 WC MIRROR & SINK DETAILS
Scale: 1 1/2" = 1'-0"

8 WC MIRROR & SINK DETAILS
Scale: 1 1/2" = 1'-0"

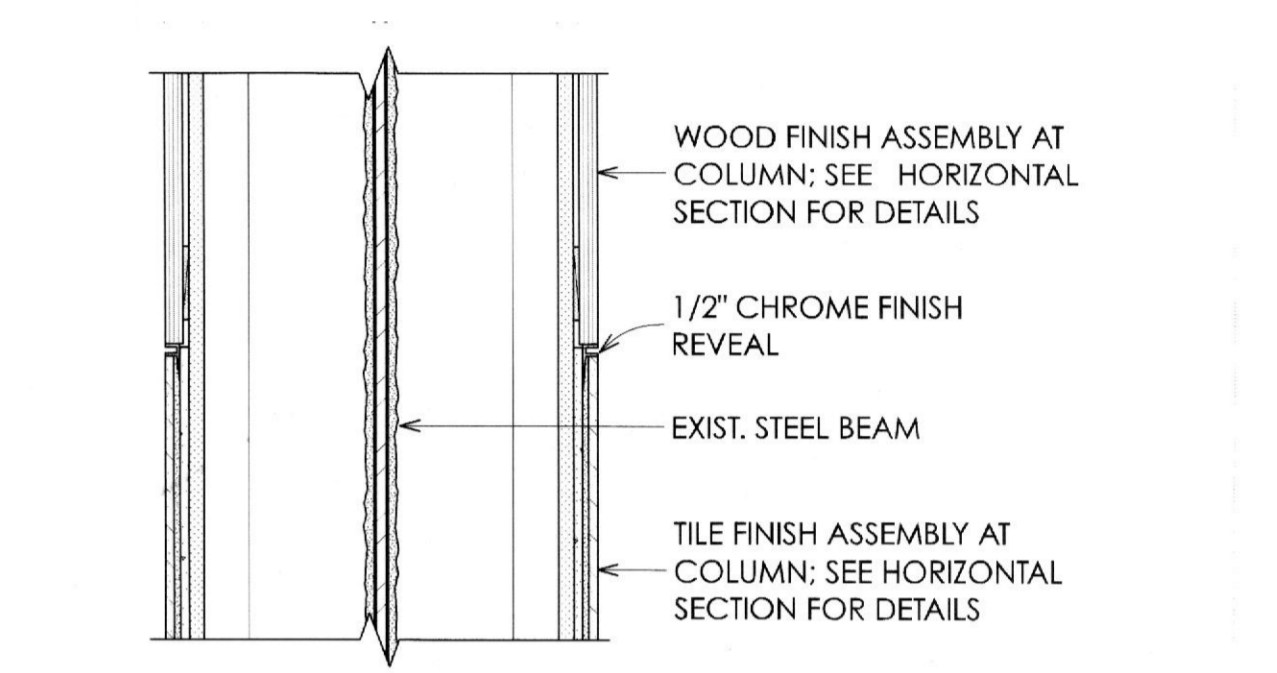


6 TYP. WD VENEER CLADDING DETAIL
Scale: 1 1/2" = 1'-0"

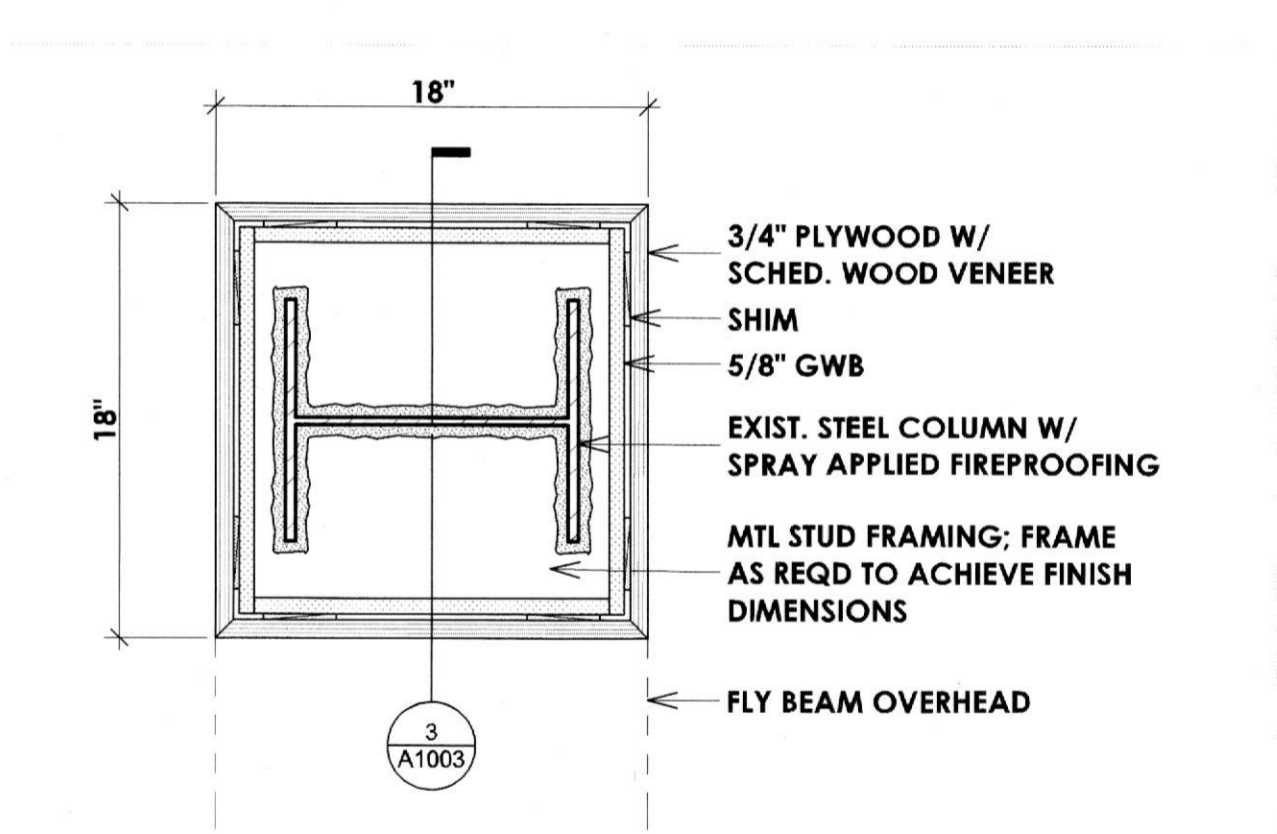


5 TYP. EMBEDDED COLUMN DETAIL
Scale: 1 1/2" = 1'-0"

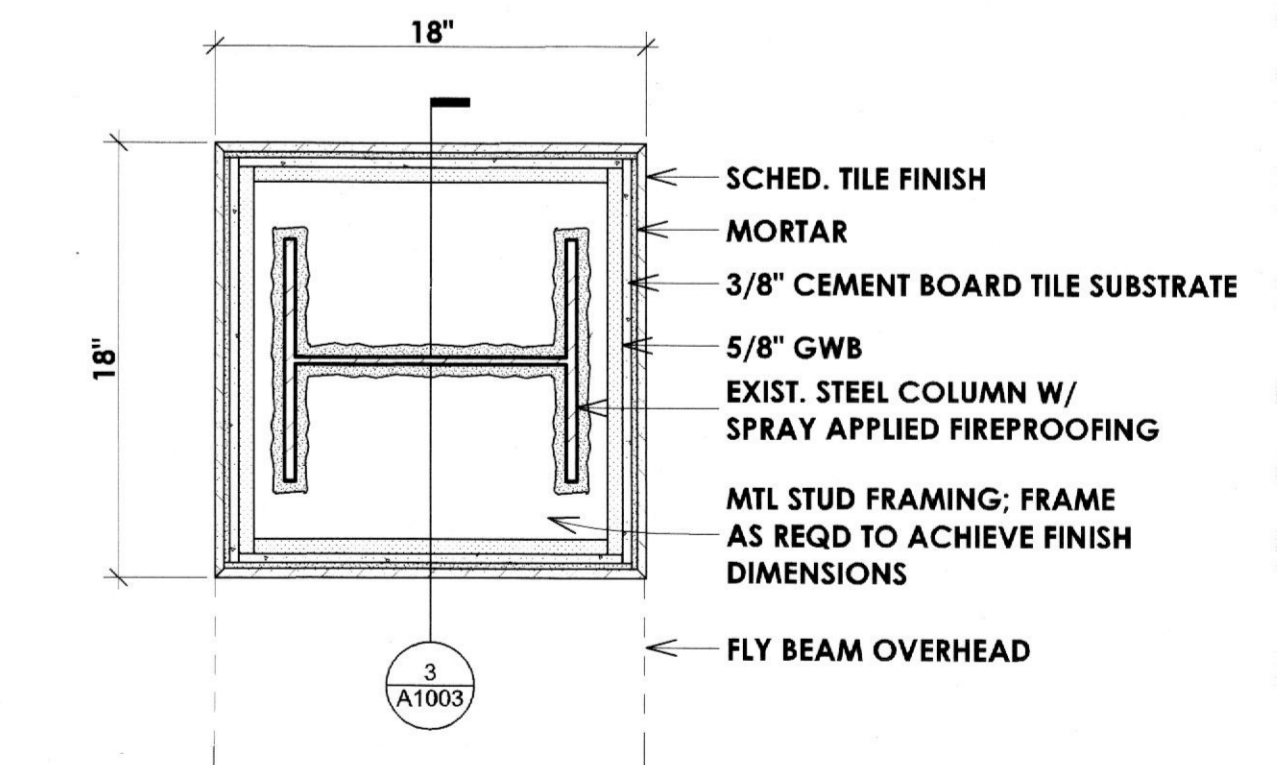
4 FLY BEAM SECTION
Scale: 1 1/2" = 1'-0"



3 TYP. FREESTANDING COLUMN VERTICAL SECTION DTL
Scale: 1 1/2" = 1'-0"



2 TYP. FREESTANDING COLUMN DETAIL AT WOOD FINISH
Scale: 1 1/2" = 1'-0"



1 TYP. FREESTANDING COLUMN DETAIL AT TILE FINISH
Scale: 1 1/2" = 1'-0"

ARCHITECT
HapstakDemetriou +
ARCHITECTURE | DESIGN
2715 M STREET NW, 4th Floor
WASHINGTON, DC 20007
202.333.9038
www.hd-ad.com info@hd-ad.com

CLIENT
Alexanader Smith
(410) 241-1224
afsmith11@gmail.com

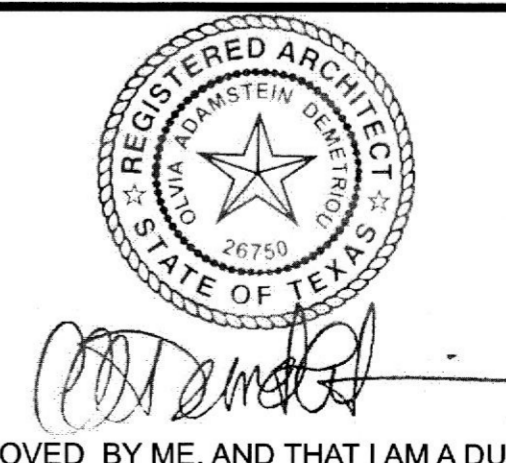
STRUCTURAL ENGINEER
BEI Structural Engineers
3930 Pender Dr. Suite175
Fairfax, VA 22030

MEP ENGINEER
J.B. Wyble and Associates, P.A.
7950 Norfolk Ave., Bethesda, MD
301-654-1410

FOOD SERVICE CONSULTANT
JLA Corp
13031 US Highway 19N, Clearwater, FL 33764
727-470-7862

OUZO BAY HOUSTON
4444 WESTHEIMER RD, HOUSTON, TX 77027, SUITE 130
PROJECT NO. 17054

I CERTIFY THAT THESE DOCUMENTS WERE PREPARED OR APPROVED BY ME, AND THAT I AM A DULY LICENSED ARCHITECT UNDER THE LAWS OF TEXAS LICENSE NO. 26750 EXPIRATION DATE: 8/31/2018



REV	DATE	ISSUED FOR	REV	DATE	ISSUED FOR
	5/16/18	PROGRESS SET			
	6/20/18	PERMIT SET			

INTERIOR DETAIL

A1003

PRINTED: 6/21/18
© HapstakDemetriou+, pllc 20