
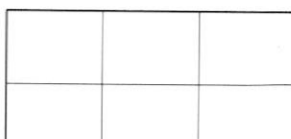

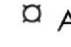








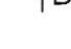

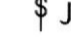

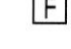
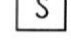


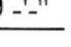
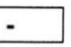


RCP GENERAL NOTES

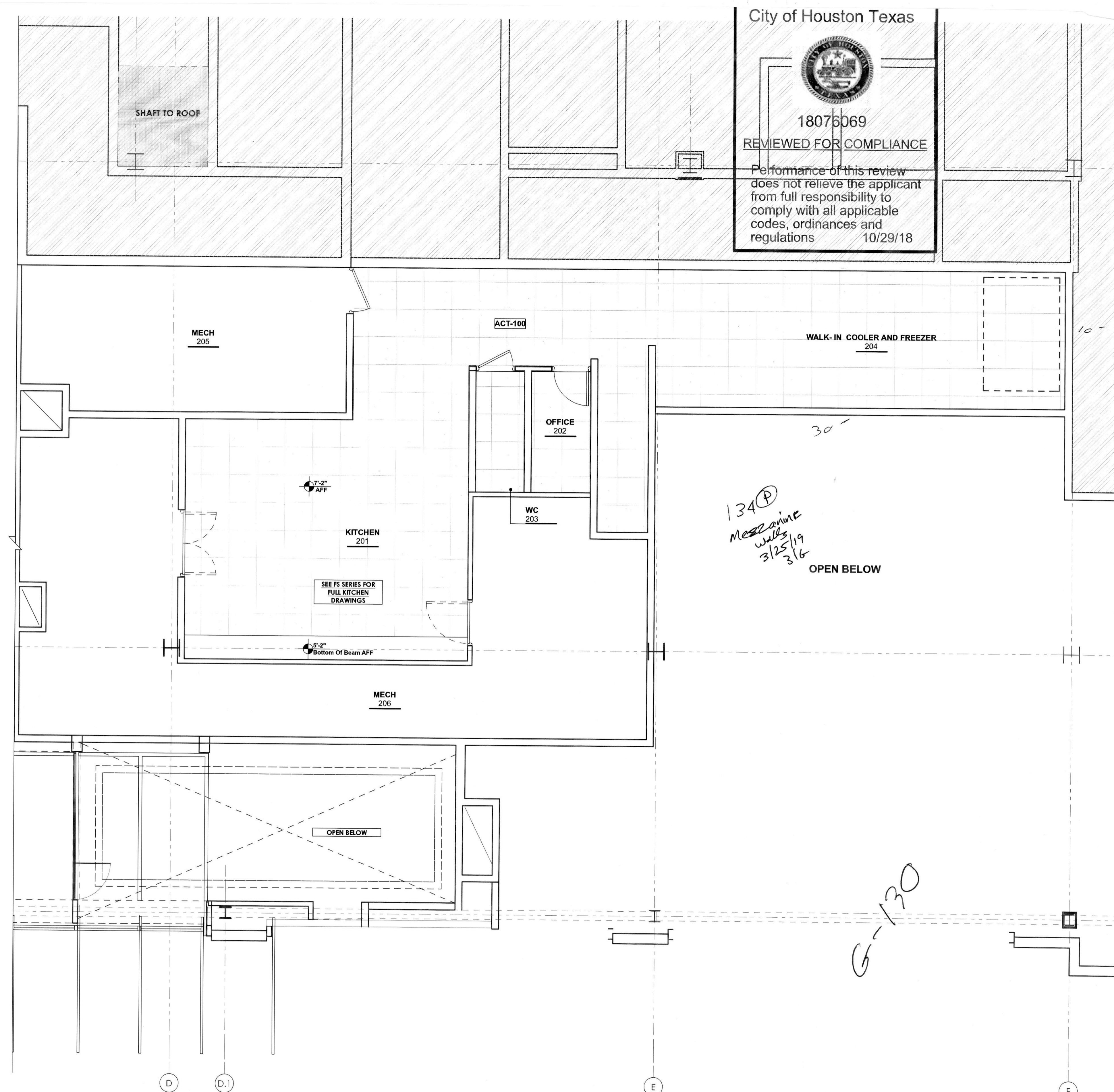
- A. WHERE CEILINGS ARE INDICATED TO BE DRYWALL, PROVIDE 5/8" TYPE X GYPSUM BOARD ON METAL STUD FRAMING. PROVIDE CEILING DRYWALL CONTROL JOINTS PER MANUFACTURER'S RECOMMENDATIONS UON.
- B. VERTICALLY STACK LIGHT SWITCHES, THERMOSTATS, AND LIFE SAFETY DEVICES TO THE GREATEST EXTENT POSSIBLE.
- C. CEILING HEIGHTS NOTED ARE FROM TOP OF FINISHED FLOOR (A.F.F.) TO UNDERSIDE OF FINISHED CEILING, UON.
- D. THE DIMENSIONS AND WORK NOTED ON THESE DRAWINGS ARE INDICATED FOR DESIGN INTENT. IF THE INSTALLATION OF ELECTRICAL, MECHANICAL, PLUMBING, OR FIRE PROTECTION WORK INTERFERES WITH THIS INTENT, THE ARCHITECT SHALL BE NOTIFIED PRIOR TO PROCEEDING WITH CONSTRUCTION.
- E. SEE PARTITION TYPE DETAIL SHEET FOR TYPICAL DEVICE MOUNTING HEIGHT INFORMATION.
- F. REFER TO ENGINEERING DRAWINGS FOR ALL CIRCUITING AND SWITCHING INFORMATION. ARCHITECTURAL DRAWINGS TO DICTATE QUANTITIES ONLY. IF DISCREPANCY OCCURS, NOTIFY ARCHITECT PRIOR TO PROCEEDING WITH CONSTRUCTION.
- G. REFER TO FINISH SCHEDULE FOR FURTHER SPECIFICATION OF CEILING MATERIALS AND FINISHES.
- H. GC TO VERIFY AND COORDINATE ALL CONDITIONS IN FIELD PRIOR TO START OF WORK, INCLUDING ELECTRICAL PANEL CAPACITY, LOCATIONS, AND CLEARANCES AT MECHANICAL DUCTS, ELECTRICAL ITEMS, SPRINKLERS, AND ASSOCIATED PIPING. ANY CONFLICTS ARE TO BE BROUGHT TO THE ATTENTION OF ARCHITECT AND ENGINEER AT THE EARLIEST OPPORTUNITY.
- I. REFER TO ELECTRICAL AND MECHANICAL DRAWINGS FOR LOCATION OF SUPPLY AND RETURN AIR DIFFUSERS, THERMOSTATS, EXIT SIGNS, AND LIFE SAFETY EQUIPMENT.
- J. COLOR TEMPERATURE OF ALL LAMPS TO BE 2700K UON. RELAMP ALL EXISTING FIXTURES TO REMAIN FOR EVEN AND CONSISTENT LIGHTING
- K. ACT AND GRID TO BE CENTERED IN ROOMS UON.
- L. SPRINKLER HEADS, LIGHT FIXTURES, DIFFUSERS, AND ETC. TO BE CENTERED WITHIN ACT, UON. GC TO VERIFY SECURITY CAMERA LOCATIONS WITH OWNER'S VENDOR AND COORDINATE WITH ARCHITECT.
- M. HVAC DIFFUSERS, EQUIPMENT ACCESS PANELS & HATCHES, SPRINKLER HEAD ESCUTCHEON PLATES, EMERGENCY LIGHT FIXTURES, SMOKE DETECTORS, SECURITY FEATURES, AUDIO DEVICES, ETC TO MATCH ADJACENT CEILING FINISH UON. SUBMIT LOCATIONS, FINISHES & STYLES TO OF ALL CEILING FIXTURES TO ARCHITECT FOR APPROVAL PRIOR TO PURCHASING OR CONSTRUCTION. DO NOT PAINT EXISTING RECESSES SPRINKLER HEAD CAPS. REPLACE WITH NEW FACTORY FINISH TO MATCH CEILING COLOR (TYP.)
- N. ALL SPRINKLER HEADS LOCATED IN CLOSED CEILINGS IN VIEW OF PUBLIC AREAS SHALL BE RECESSED AND CONCEALED WITH AN ESCUTCHEON PLATE.
- O. G.C. TO COORDINATE LOCATION OF ALL EQUIPMENT ACCESS PANELS & HATCHES WITH NECESSARY EQUIPMENT, CEILING OR PARTITION FEATURES, LIGHTING, AND OTHER EQUIPMENT. SUBMIT TO ARCHITECT FOR APPROVAL PRIOR TO COMMENCING WITH WORK. NOTIFY ARCHITECT OF ANY DISCREPANCIES OF CONFLICTS THAT INTERFERE WITH DESIGN INTENT PRIOR TO INSTALLATION OF EQUIPMENT OR SERVICES.
- P. ALL ELECTRICAL CONDUIT, WIRING, PLUMBING LINES, AND OTHER SERVICES TO BE ROUTED THROUGH CLOSED CEILINGS, FRAMED WALLS, FAUX BEAMS, ETC AS NECESSARY TO CONCEAL FROM VIEW.
ALL WIRE MUST BE COPPER AND IN CONDUIT (EMT OR RIGID). NO ROMEX, BX, AC ARE PERMITTED. ALL LOW VOLTAGE WIRE MUST BE PLENUM RATED.
- Q. ALL SPRINKLER WORK MUST BE PERFORMED BY THE LANDLORD REQUIRED CONTRACTOR AT TENANT EXPENSE.

RCP LEGEND

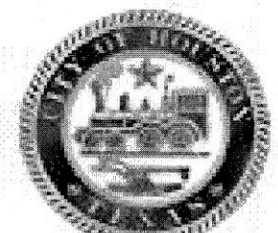
-  NOT IN CONTRACT
-  2X2 ACT & GRID
-  E EXIST. RECESSED DOWNLIGHT FIXTURE
-  A RECESSED DOWNLIGHT FIXTURE
-  B WALL MOUNTED FIXTURE
-  D DECORATIVE PENDANT FIXTURE
-  LED STRIP IN CEILING
-  LED STRIP IN MILLWORK
-  BENDABLE LED STRIP IN MILLWO
-  LINEAR DIFFUSER
-  E EXISTING SWITCH
-  SWITCH
-  D SWITCH W/ DIMMER
-  3 3-WAY SWITCH
-  J JAMB SWITCH
-  T THERMOSTAT
-  F BATHROOM EXHAUST FAN
-  S RECESSED SPEAKER
-  X EXIT SIGN
-  1'-0" ELEVATION TAG EXIST. CEILING
-  1'-0" ELEVATION TAG NEW CEILING
-  CEILING FINISH TAG

RCP KEY NOTES

- 1. KEY NOTES START HERE




City of Houston Texas



18076069
REVIEWED FOR COMPLIANCE

Performance of this review does not relieve the applicant from full responsibility to comply with all applicable codes, ordinances and regulations 10/29/18

1 MEZZANINE RCP
Scale: 1/4" = 1'-0"

<p>ARCHITECT HapstakDemetriou + ARCHITECTURE DESIGN 2715 M STREET NW, 4th Floor WASHINGTON, DC 20007 202.333.9038 www.hd-ad.com info@hd-ad.com</p>	<p>CLIENT Alexanader Smith (410) 241-1224 afsmith11@gmail.com</p> <p>STRUCTURAL ENGINEER BEI Structural Engineers 3930 Pender Dr. Suite 175 Fairfax, VA 22030</p>	<p>MEP ENGINEER J.B. Wyble and Associates, P.A. 7950 Norfolk Ave., Bethesda, MD 301-654-1410</p> <p>FOOD SERVICE CONSULTANT JLA Corp 13031 US Highway 19N, Clearwater, FL 33764 727-470-7862</p>	<p>OUZO BAY HOUSTON 4444 WESTHEIMER RD, HOUSTON, TX 77027, SUITE 130 PROJECT NO. 17054</p> 	<table border="1" style="width: 100%; border-collapse: collapse;"> <thead> <tr> <th>REV</th> <th>DATE</th> <th>ISSUED FOR</th> </tr> </thead> <tbody> <tr> <td></td> <td>5/16/18</td> <td>PROGRESS SET</td> </tr> <tr> <td></td> <td>6/20/18</td> <td>PERMIT SET</td> </tr> <tr> <td> </td> <td> </td> <td> </td> </tr> <tr> <td> </td> <td> </td> <td> </td> </tr> </tbody> </table>	REV	DATE	ISSUED FOR		5/16/18	PROGRESS SET		6/20/18	PERMIT SET							<table border="1" style="width: 100%; border-collapse: collapse;"> <thead> <tr> <th>REV</th> <th>DATE</th> <th>ISSUED FOR</th> </tr> </thead> <tbody> <tr> <td> </td> <td> </td> <td> </td> </tr> <tr> <td> </td> <td> </td> <td> </td> </tr> <tr> <td> </td> <td> </td> <td> </td> </tr> <tr> <td> </td> <td> </td> <td> </td> </tr> </tbody> </table>	REV	DATE	ISSUED FOR													<p>OUZO BAY MEZZANINE RCP</p> <p>A202 PRINTED: 6/21/18 © HapstakDemetriou+, pllc 2018</p>
REV	DATE	ISSUED FOR																																		
	5/16/18	PROGRESS SET																																		
	6/20/18	PERMIT SET																																		
REV	DATE	ISSUED FOR																																		

I CERTIFY THAT THESE DOCUMENTS WERE PREPARED OR APPROVED BY ME, AND THAT I AM A DULY LICENSED ARCHITECT UNDER THE LAWS OF TEXAS LICENSE NO. 26750 EXPIRATION DATE: 8/31/2018