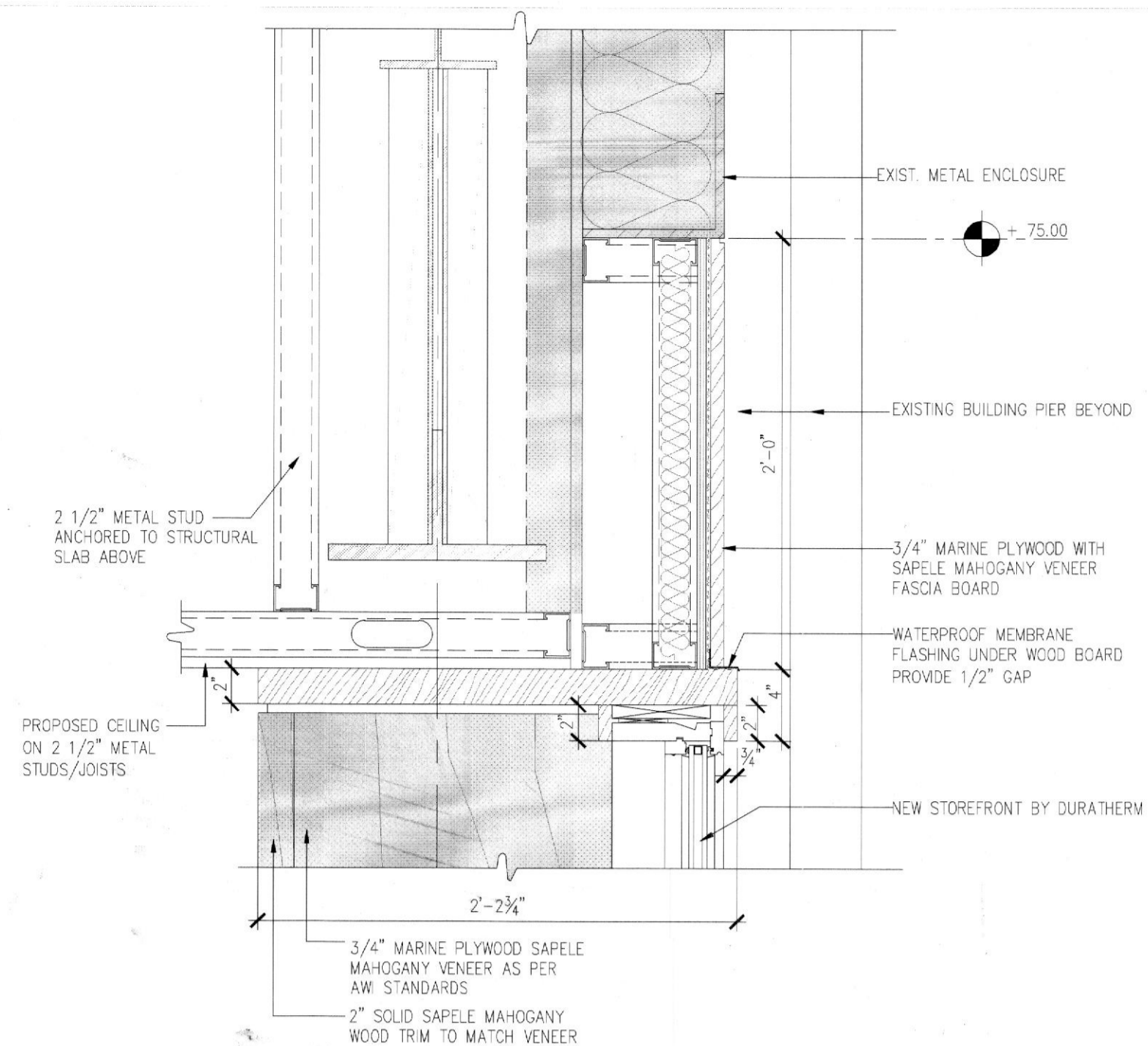


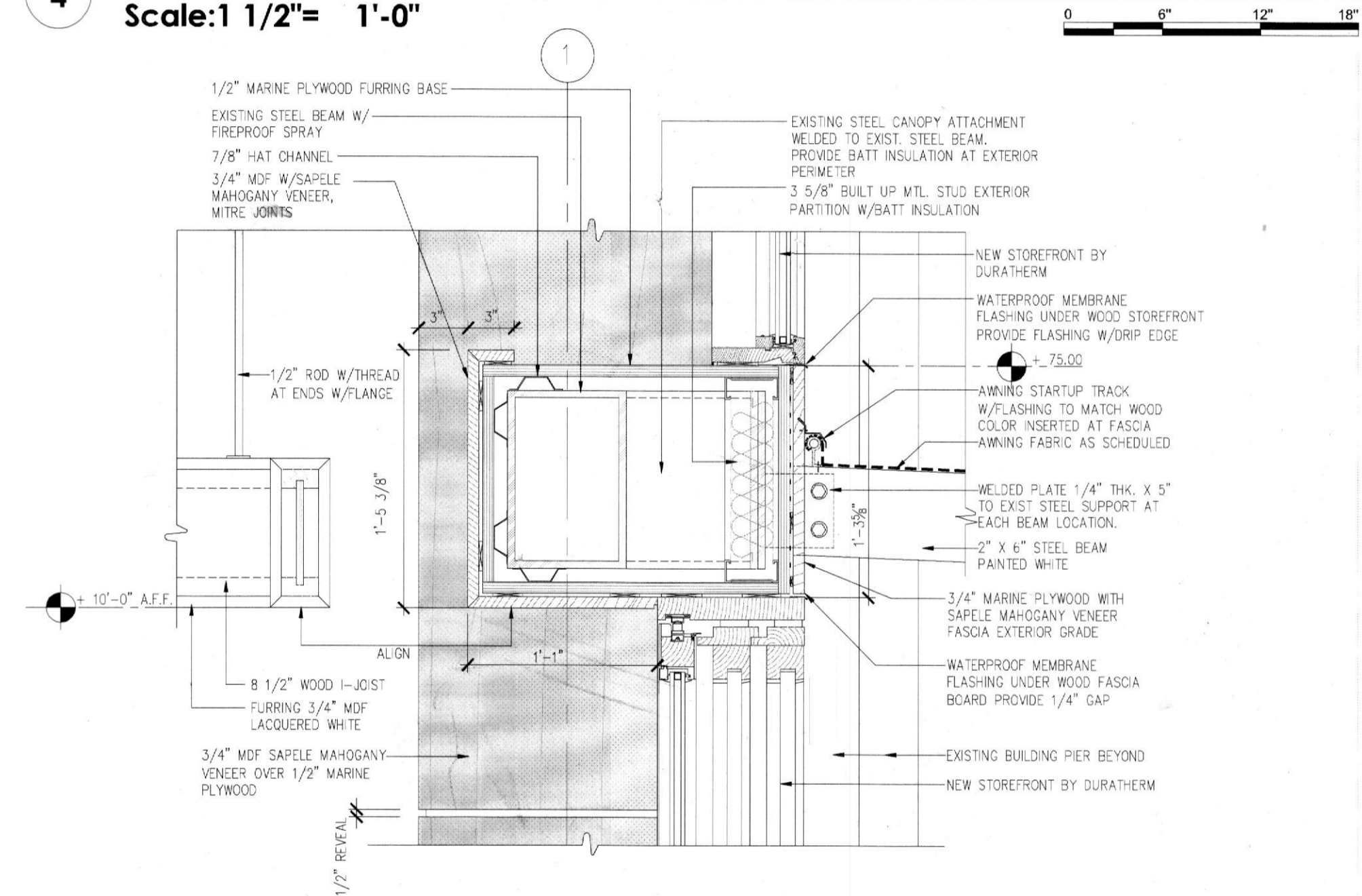
18076069

REVIEWED FOR COMPLIANCE

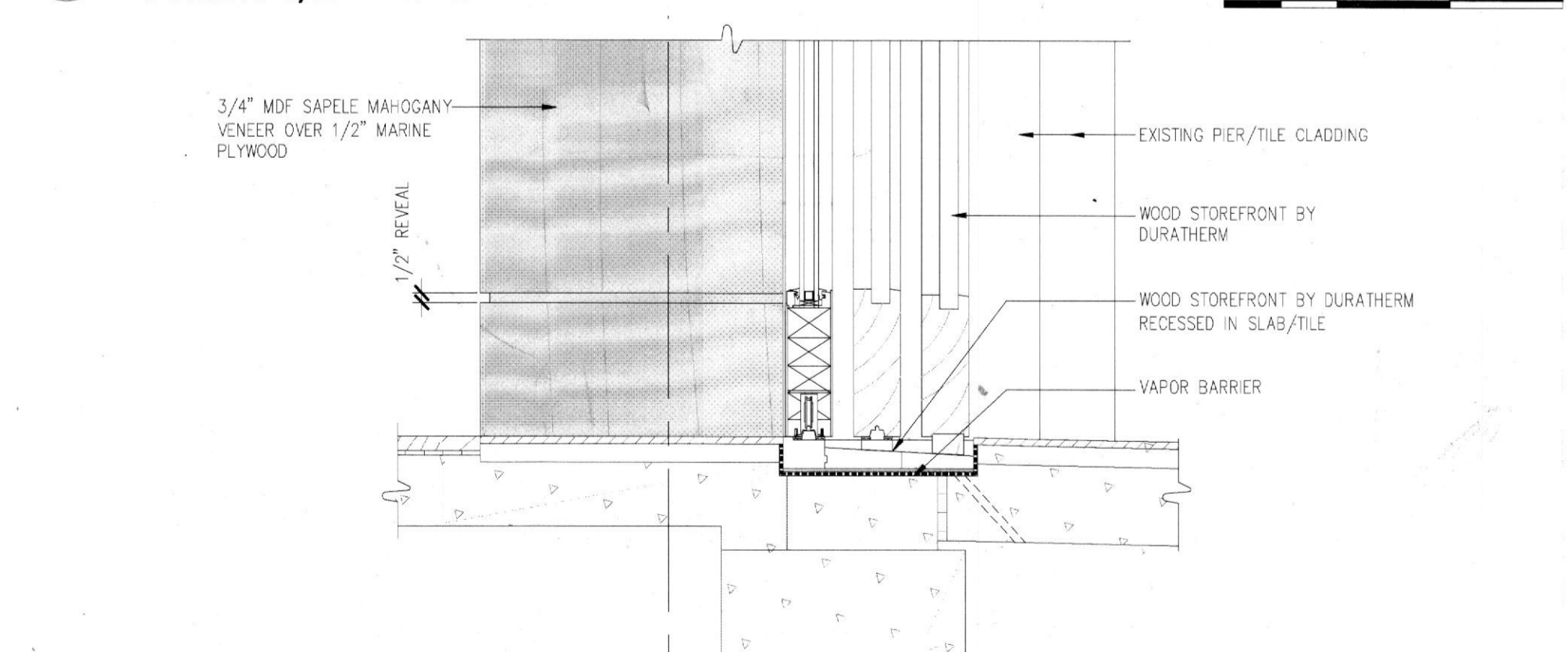
Performance of this review does not relieve the applicant from full responsibility to comply with all applicable codes, ordinances and regulations 10/29/18



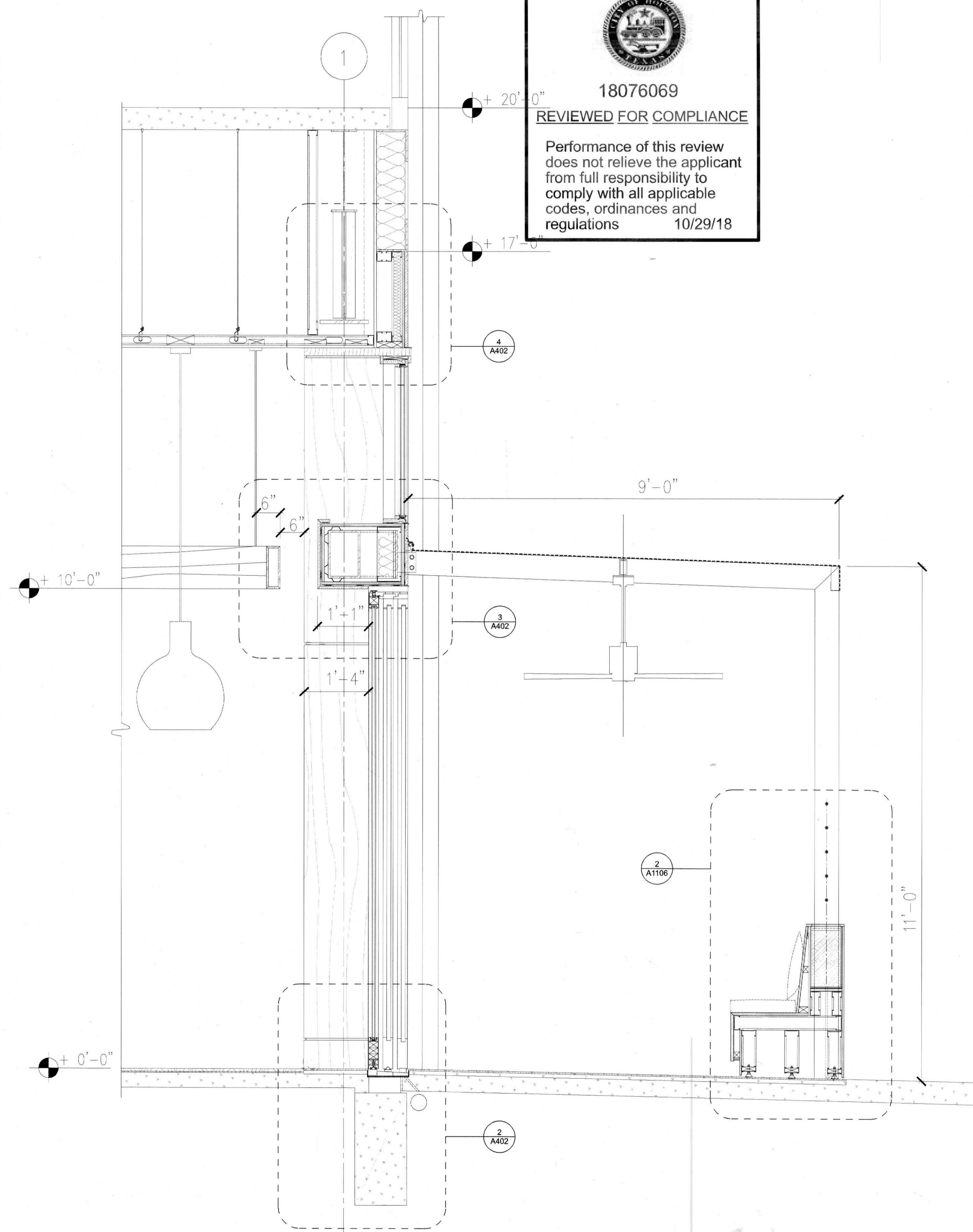
4 SOUTH FACADE DETAIL AT HEADER
Scale: 1 1/2" = 1'-0"



3 SOUTH FACADE DETAIL AT HEADER BEAM
Scale: 1 1/2" = 1'-0"



2 SOUTH FACADE DETAIL AT SILL
Scale: 1 1/2" = 1'-0"



1 EXT WALL SECTION AT SOUTH FACADE
Scale: 3/4" = 1'-0"

ARCHITECT
HapstakDemetriou +
ARCHITECTURE | DESIGN
2715 M STREET NW, 4th Floor
WASHINGTON, DC 20007
202.333.9038
www.hd-ad.com info@hd-ad.com

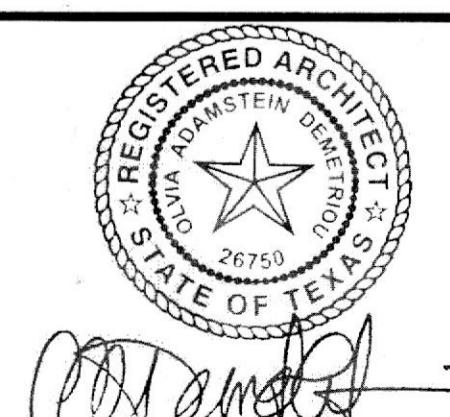
CLIENT
Alexander Smith
(410) 241-1224
afsmith11@gmail.com

STRUCTURAL ENGINEER
BEI Structural Engineers
3930 Pender Dr. Suite 175
Fairfax, VA 22030

MEP ENGINEER
J.B. Wyble and Associates, P.A.
7950 Norfolk Ave., Bethesda, MD
301-654-1410

FOOD SERVICE CONSULTANT
JLA Corp
13031 US Highway 19N, Clearwater, FL 33764
727-470-7862

OUZO BAY HOUSTON
4444 WESTHEIMER RD, HOUSTON, TX 77027, SUITE 130
PROJECT NO. 17054



REV	DATE	ISSUED FOR	REV	DATE	ISSUED FOR
	5/16/18	PROGRESS SET			
	6/20/18	PERMIT SET			

EXTERIOR WALL SECTIONS

A402
PRINTED: 6/21/18
© HapstakDemetriou+, pllc 2018

I CERTIFY THAT THESE DOCUMENTS WERE PREPARED OR APPROVED BY ME, AND THAT I AM A DULY LICENSED ARCHITECT UNDER THE LAWS OF TEXAS LICENSE NO. 26750 EXPIRATION DATE: 8/31/2018