
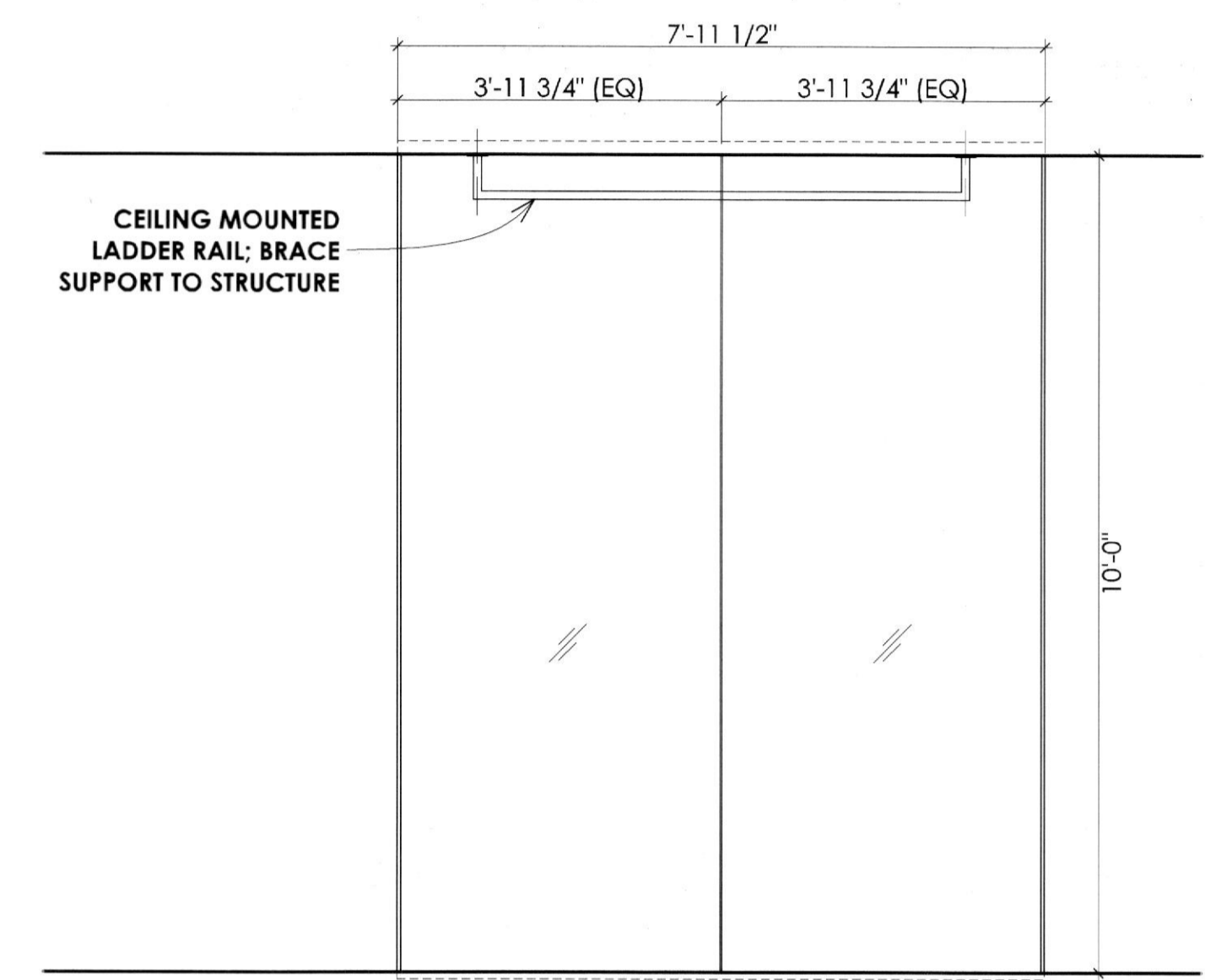
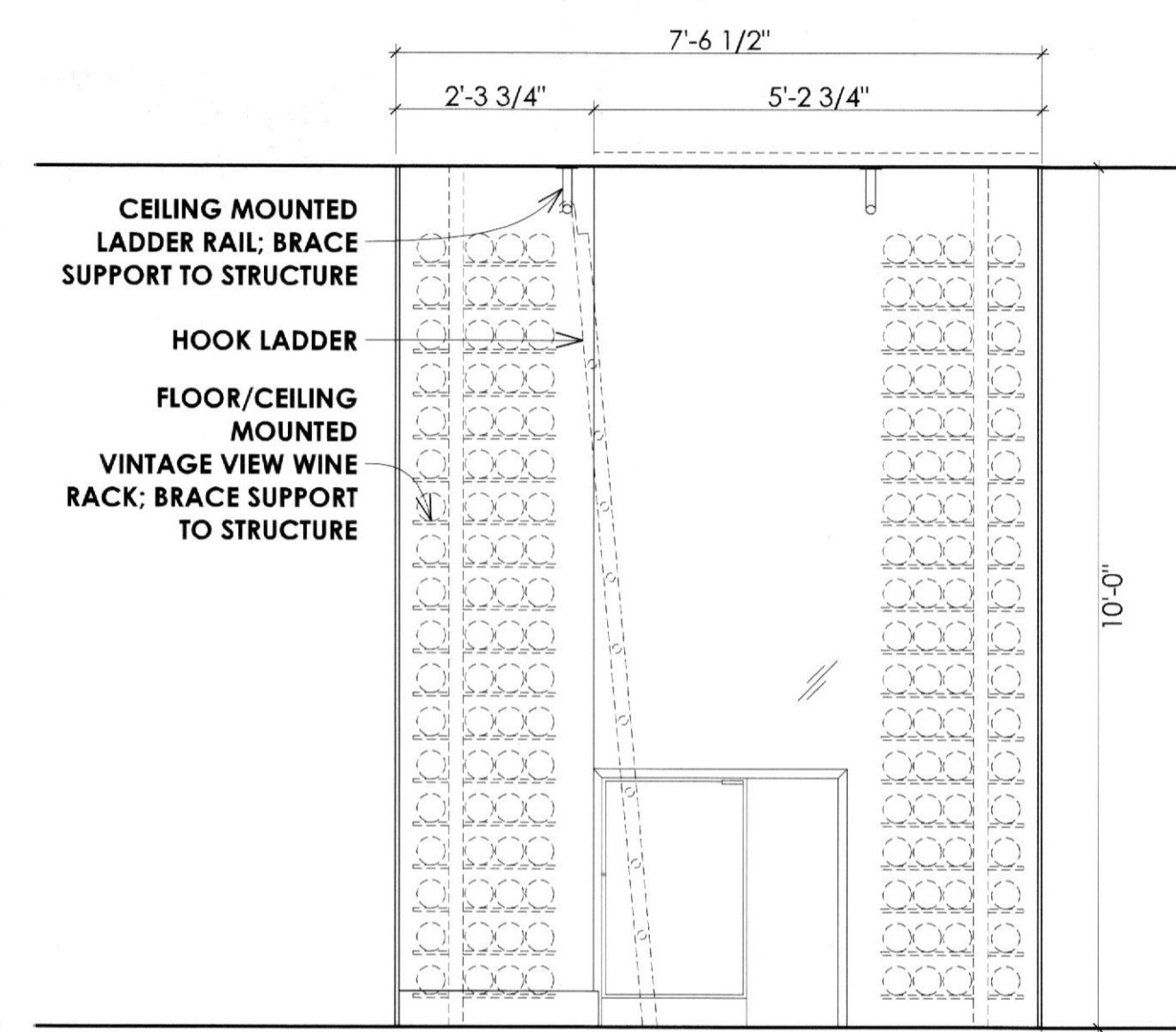


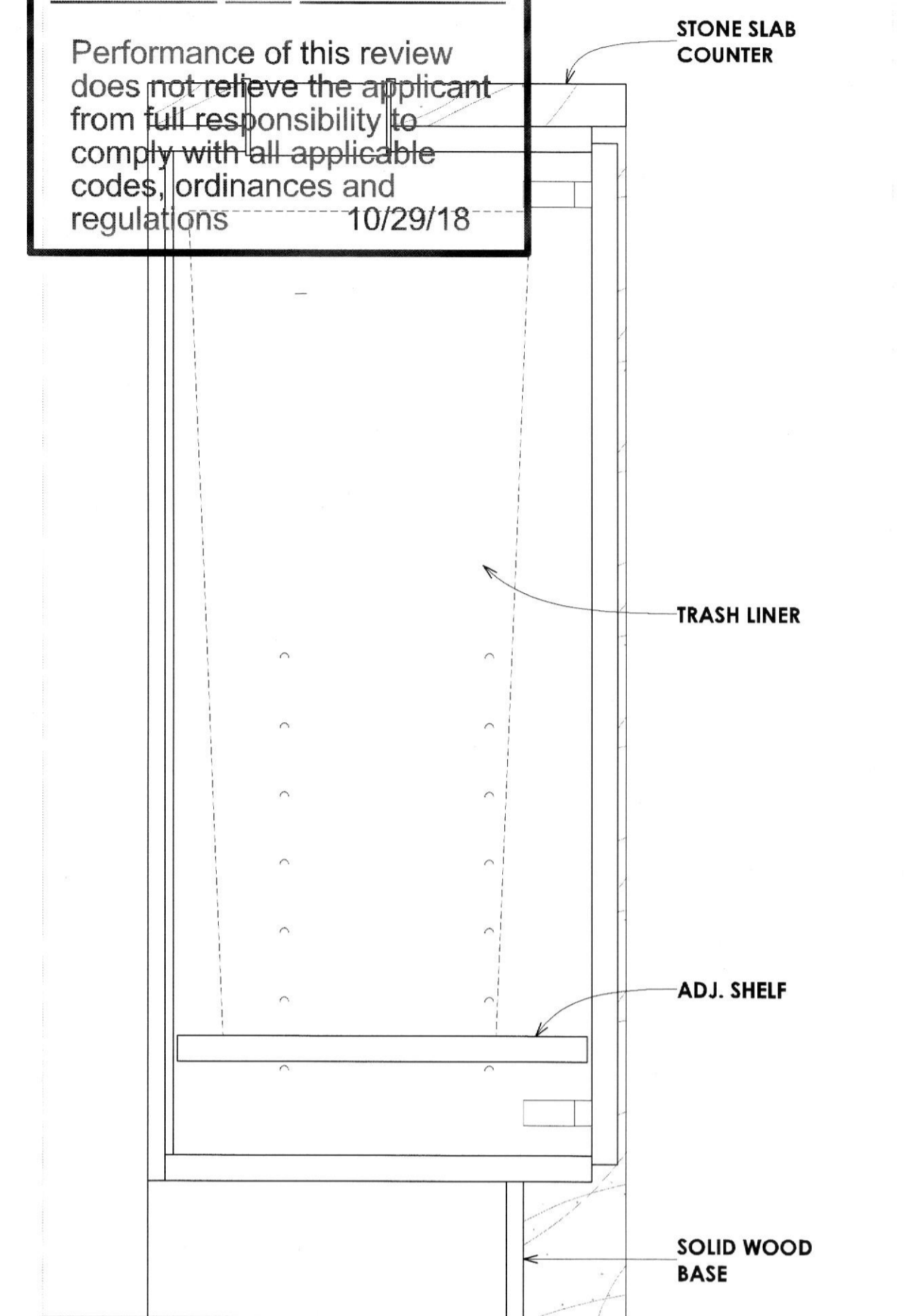
City of Houston Texas

 18076069
 REVIEWED FOR COMPLIANCE
 Performance of this review does not relieve the applicant from full responsibility to comply with all applicable codes, ordinances and regulations 10/29/18



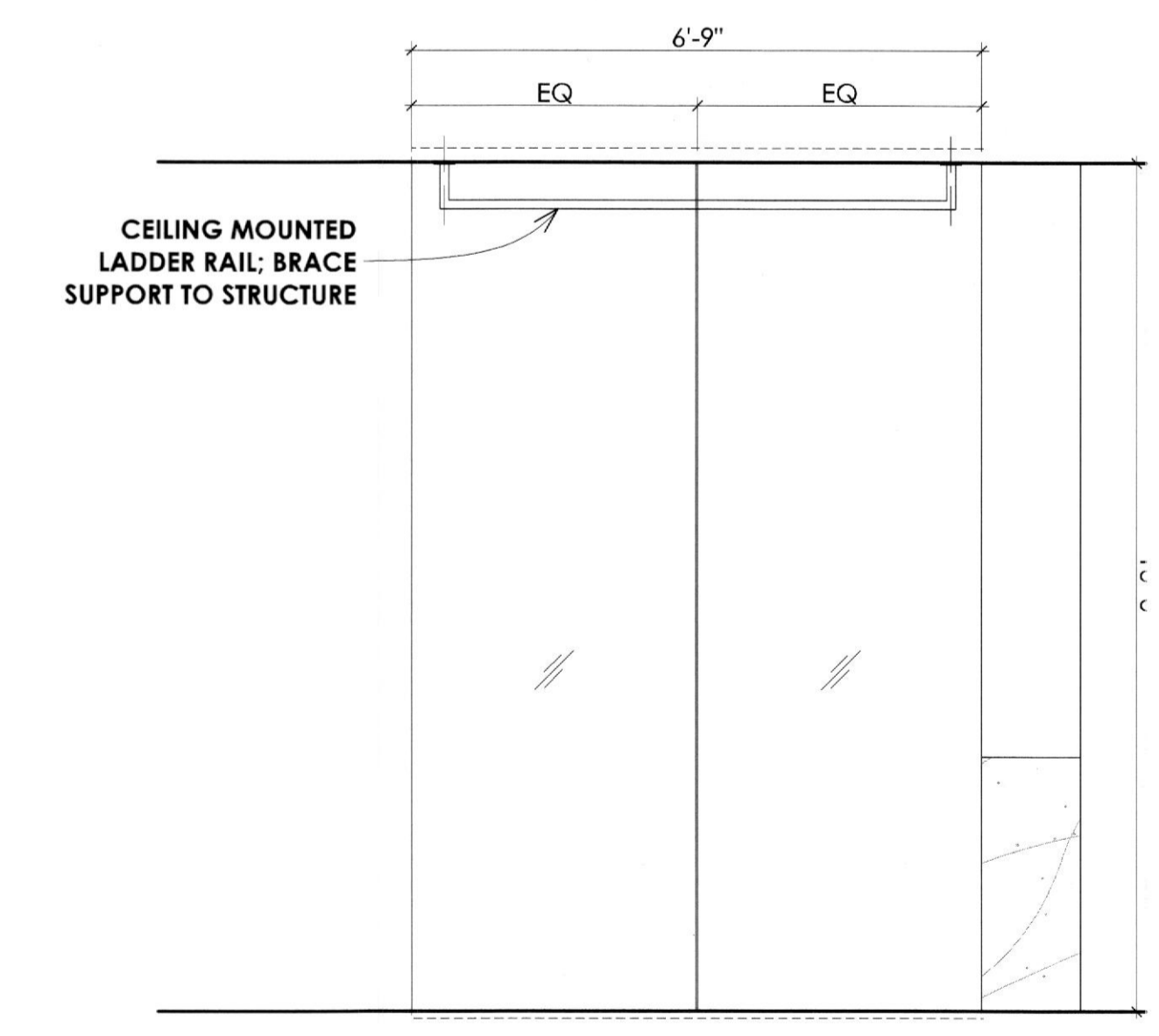
4 WINE ROOM TABLE
 Scale: 1/2" = 1'-0"



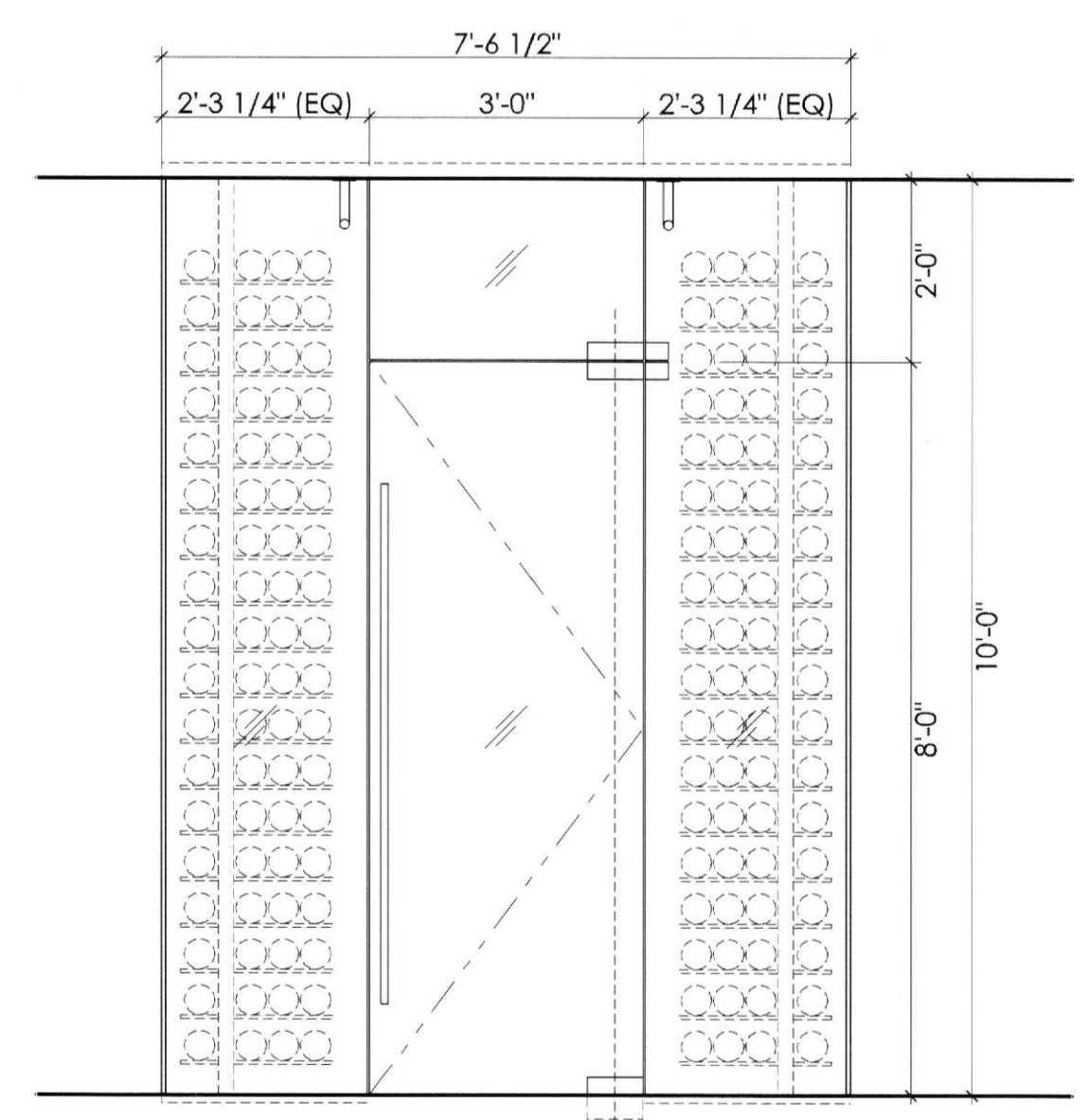
5 WINE ROOM TABLE
 Scale: 1/2" = 1'-0"



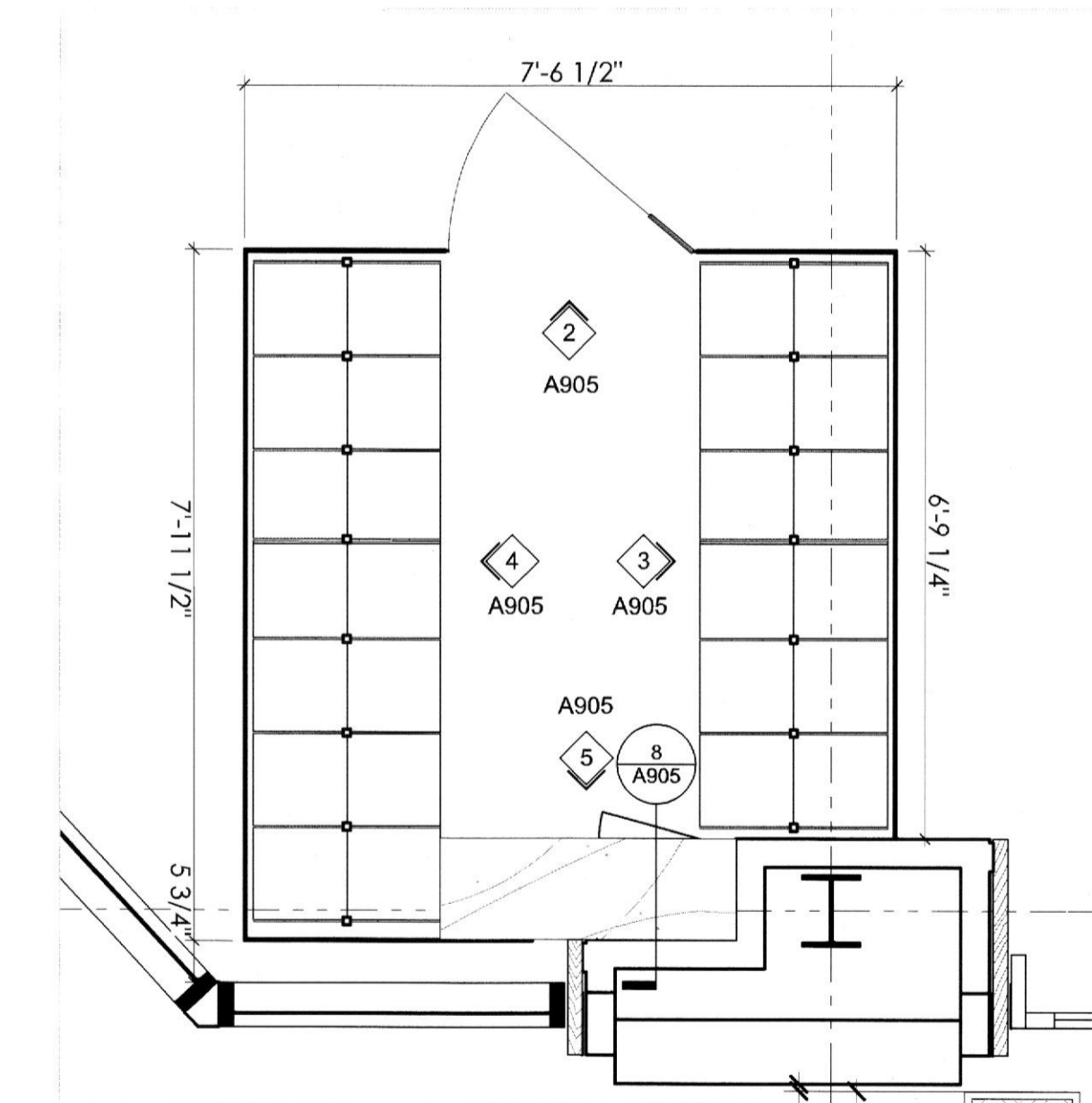
8 WINE ROOM TABLE SECTION
 Scale: 3" = 1'-0"



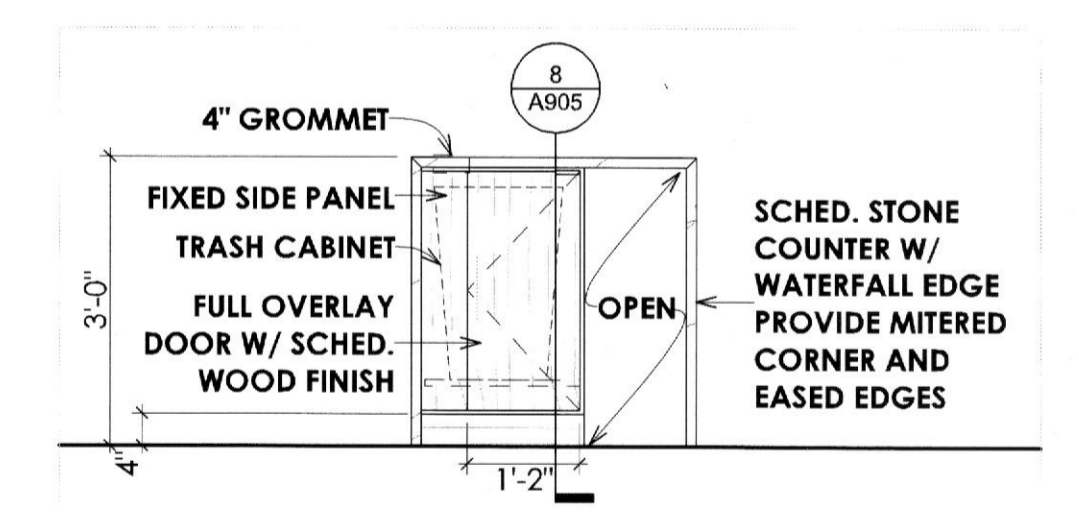
3 WINE ROOM ELEVATION
 Scale: 1/2" = 1'-0"



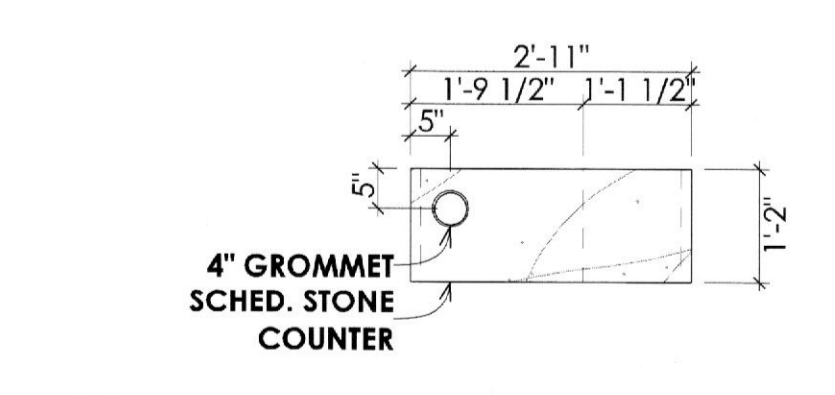
2 WINE ROOM ELEVATION
 Scale: 1/2" = 1'-0"



1 WINE ROOM PLAN
 Scale: 1/2" = 1'-0"



7 WINE ROOM TABLE ELEVATION
 Scale: 1/2" = 1'-0"

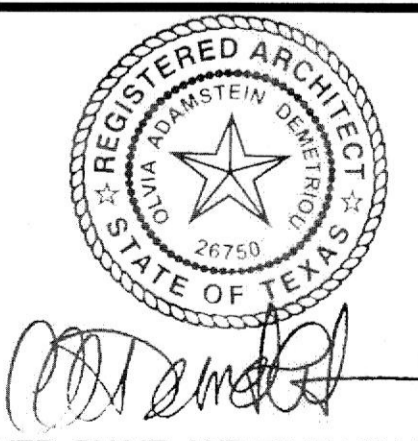


6 WINE ROOM TABLE
 Scale: 1/2" = 1'-0"

ARCHITECT
 HapstakDemetriou +
 ARCHITECTURE | DESIGN
 2715 M STREET NW, 4th Floor
 WASHINGTON, DC 20007
 202.333.9038
 www.hd-ad.com info@hd-ad.com

CLIENT
 Alexander Smith
 (410) 241-1224
 afsmith11@gmail.com
STRUCTURAL ENGINEER
 BEI Structural Engineers
 3930 Pender Dr. Suite 175
 Fairfax, VA 22030

MEP ENGINEER
 J.B. Wyble and Associates, P.A.
 7950 Norfolk Ave., Bethesda, MD
 301-654-1410
FOOD SERVICE CONSULTANT
 JLA Corp
 13031 US Highway 19N, Clearwater, FL 33764
 727-470-7862

OUZO BAY HOUSTON
 4444 WESTHEIMER RD, HOUSTON, TX 77027, SUITE 130
PROJECT NO. 17054

 I CERTIFY THAT THESE DOCUMENTS WERE PREPARED OR APPROVED BY ME, AND THAT I AM A DULY LICENSED ARCHITECT UNDER THE LAWS OF TEXAS LICENSE NO. 26750 EXPIRATION DATE: 8/31/2018

REV	DATE	ISSUED FOR	REV	DATE	ISSUED FOR
	5/16/18	PROGRESS SET			
	6/20/18	PERMIT SET			

ENLARGED WINE ROOM PLAN & DETAILS
A905
 PRINTED: 6/21/18
 © HapstakDemetriou+, pllc 2018